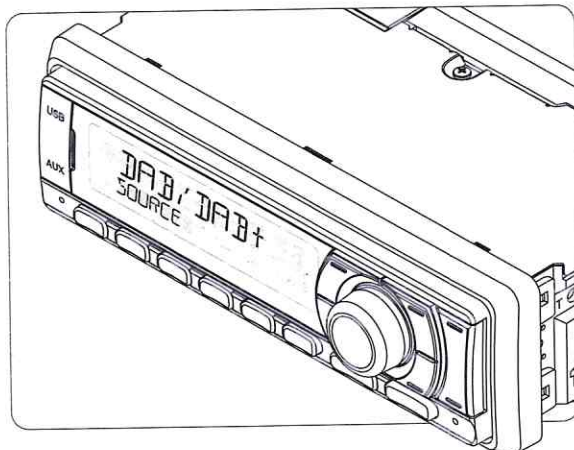


502/25
201-80

User Guide



- Short chassis rugged design
- High-contrast LCD display
- World-tuner FM/MW/LW/WB multi-band radio receiver
- DAB / DAB+ *
- Bluetooth with phonebook *
- USB media player
- AUX-in audio input
- 4 x 40 watt amplifier
- Rear USB / Rear AUX-in *

* on selected models

RM200X Series - User Guide
version 1.0