

WRENCHHEAD MECHANICAL

3135 4 ST
NISKU, ALBERTA. T9E-8L1
Phone: 780-436-9570 Fax: 780- -

INVOICE

48748

AK

INVOICE

Printed Date: 05/02/2025 Work Completed: 05/02/2025

CHEMCO ELECTRICAL-EQUIPMENT
3135-4th ST
NISKU, AB T9E-8L1
Office 780-436-9570 -- Fax 780-434-0811

2013 Dodge - RAM 2500 UNIT#U398 - 5.7L GAS
Lic # : BJZ-3751 Odometer In : 120351
Unit # : U398
VIN # : 3C6TR5HT0 **DG547325**
Engine Hrs In : 9001.0 Engine Hours Out : 9001.0

Part Description / Number	Qty	Sale	Ext	Labor Description	Ext
3" S.S. STEP BAR-ORDER ARI205041-2 Shop Supplies	1.00	250.00	250.00	(1) INSTALL PASSENGER STEP BAR * REMOVE/INSTALL BOTH RUNNING BOARDS	325.00
			16.25		

Org. Estimate 143.33 Revisions 0.00 Current Estimate 143.33

Labor:	325.00
Parts:	266.25
SubTotal:	591.25
Tax:	29.56
Total:	620.81
Bal Due:	\$620.81

[Payments -]

STR-17

Vehicle Received: 4/16/2025

Customer Number : 2548

GST#865376503RT0001

Signature _____ Date _____

Technician Work Sheet Service Writer : KLAASSE, ANGELA

Print Date: 4/16/2025

2013 Dodge - RAM 2500 UNIT#U398

Hat # :

Repair Order #

VIN # : 3C6TR5HT0 DG547325

Color :

048748

Engine : 5.7L GAS

Location :

Lic # : BJZ-3751

Lic. State : AB

CHEMCO ELECTRICAL-EQUIPMENT

Schedule :

Office 780-436-9570 --- Fax 780-434-0811

Promised Date : 4/16/25 5:00 P.M.

Inspection Date : 6/05/13

Status :

Last Service : 4/11/25

Unit # : U398

Current Odometer : 0

Trans :

Previous Mileage : 120,315

Brakes :

Elapsed Mileage : 0

Manufacture Date : 6/05/13

Labor Description

Charged Hours

(1) INSTALL PASSENGER STEP BAR

2.00

Technician: <none>

Notes

Vehicle Memo

RECALLS DONE 07/17/19

OUT ODOMETER :

Total Hours Charged :

2.00

Hours out: 0.00

Tech Notes

WRENCHHEAD MECHANICAL
 3135 4 ST
 NISKU, ALBERTA. T9E-8L1
 Phone: 780-436-9570 Fax: 780- -



INVOICE

45509

INVOICE

Printed Date: 07/04/2024 Work Completed: 07/04/2024

CHEMCO ELECTRICAL-EQUIPMENT
 3135-4th ST
 NISKU, AB T9E-8L1
 Office 780-436-9570 -- Fax 780-434-0811

2013 Dodge - RAM 2500 UNIT#U398 - 5.7L GAS
 Lic # : BJZ-3751 Odometer In : 114739
 Unit # : U398
 VIN # : 3C6TR5HT0 **DG547325**
 Engine Hrs In : 8419.0 Engine Hours Out : 8419.0

Part Description / Number	Qty	Sale	Ext	Labor Description	Ext
SEMI-METALLIC BRAKE PAD SET-ORDER WSD1399MH Shop Supplies	1.00	47.93	47.93	(1) INSPECT FOR LOW BRAKE PEDAL, CHECK ENGINE LIGHT, AND GAS CAP WARNING BEING ON * SEE TECH SHEET	1,137.50
			56.88		

Org. Estimate 71.66 Revisions 0.00 Current Estimate 71.66

Labor:	1,137.50
Parts:	104.81
SubTotal:	1,242.31
Tax:	62.12
Total:	1,304.43
Bal Due:	\$1,304.43

[Payments -]

STK - 57

Vehicle Received: 6/18/2024

Customer Number : 2548

GST#865376503RT0001
 Signature _____ Date _____

WRENCHHEAD MECHANICAL

3135 4 ST
NISKU, ALBERTA. T9E-8L1
Phone: 780-436-9570 Fax: 780- -

REPAIR ORDER #

045509

REPAIR ORDER - RO

Scheduled : 06/18/2024 03:04 PM

Print Date : 6/18/2024

CHEMCO ELECTRICAL-EQUIPMENT

3135-4th ST
NISKU, AB T9E-8L1
Office 780-436-9570 --- Fax 780-434-0811
Cust ID :
Last Service : 6/4/2024

2013 Dodge - RAM 2500 UNIT#U398 - 5.7L GAS

Lic # : BJZ-3751 - AB

Unit # : U398

VIN # : 3C6TR5HT0 **DG547325**

MFG Date : 6/5/2013

Previous Odom : 109777

Current Odom : 0

Elapsed : 0

Labor Requested / Part SubTotal

Extended

(1) INSPECT FOR LOW BRAKE PEDAL, CHECK ENGINE LIGHT, AND GAS CAP WARNING BEING ON

65.00

Parts Subtotal 0.00

Shop Supplies

3.25

Parts: 0.00
Labor: 65.00

Supplies: 3.25

Tax: 3.41

Total: 71.66
Balance: 71.66

TEARDOWN ESTIMATE: I understand that my vehicle will be reassembled within ___ days of the date shown above if I choose not to authorize the service recommended. All Parts removed will be discarded unless instructed otherwise: Save all Parts ___. NOT RESPONSIBLE FOR LOSS OR DAMAGE TO MY VEHICLE OR ARTICLES LEFT IN VEHICLES IN CASE OF FIRE, THEFT OR ANY OTHER CAUSE. ALL VEHICLES LEFT MUST HAVE OWN INSURANCE. ANY VEHICLES LEFT OVER 30 DAYS WITHOUT CONSENT WILL BE PROPERTY OF WRENCHHEAD MECHANICAL.

Authorized By _____ Date _____ Time _____

Technician Work Sheet Service Writer : ANDREW, RYAN

Print Date: 6/18/2024

2013 Dodge - RAM 2500 UNIT#U398

Hat # :

Repair Order #

VIN # : 3C6TR5HT0 DG547325

Color :

045509

Engine : 5.7L GAS

Location :

Lic # : BJZ-3751

Lic. State : AB

CHEMCO ELECTRICAL-EQUIPMENT

Schedule :

Office 780-436-9570 --- Fax 780-434-0811

Promised Date : 6/18/24 5:00 P.M.

Inspection Date : 6/05/13

Status :

Last Service : 6/04/24

Unit # : U398

Current Odometer : 0

Trans :

Previous Mileage : 109,777

Brakes :

Elapsed Mileage : 0

Manufacture Date : 6/05/13

Labor Description

Charged Hours

<input type="checkbox"/>	(1) INSPECT FOR LOW BRAKE PEDAL, CHECK ENGINE LIGHT, AND GAS CAP WARNING BEING ON Technician : <none>	1.00
--------------------------	--	------

Notes

Vehicle Memo
RECALLS DONE 07/17/19

OUT ODOMETER :

Total Hours Charged : 1.00

Hours out: 0.00

Tech Notes

Burnco Truck U398
2013 Ram 2500 flat deck

- Engine light on
- Brk concerns.

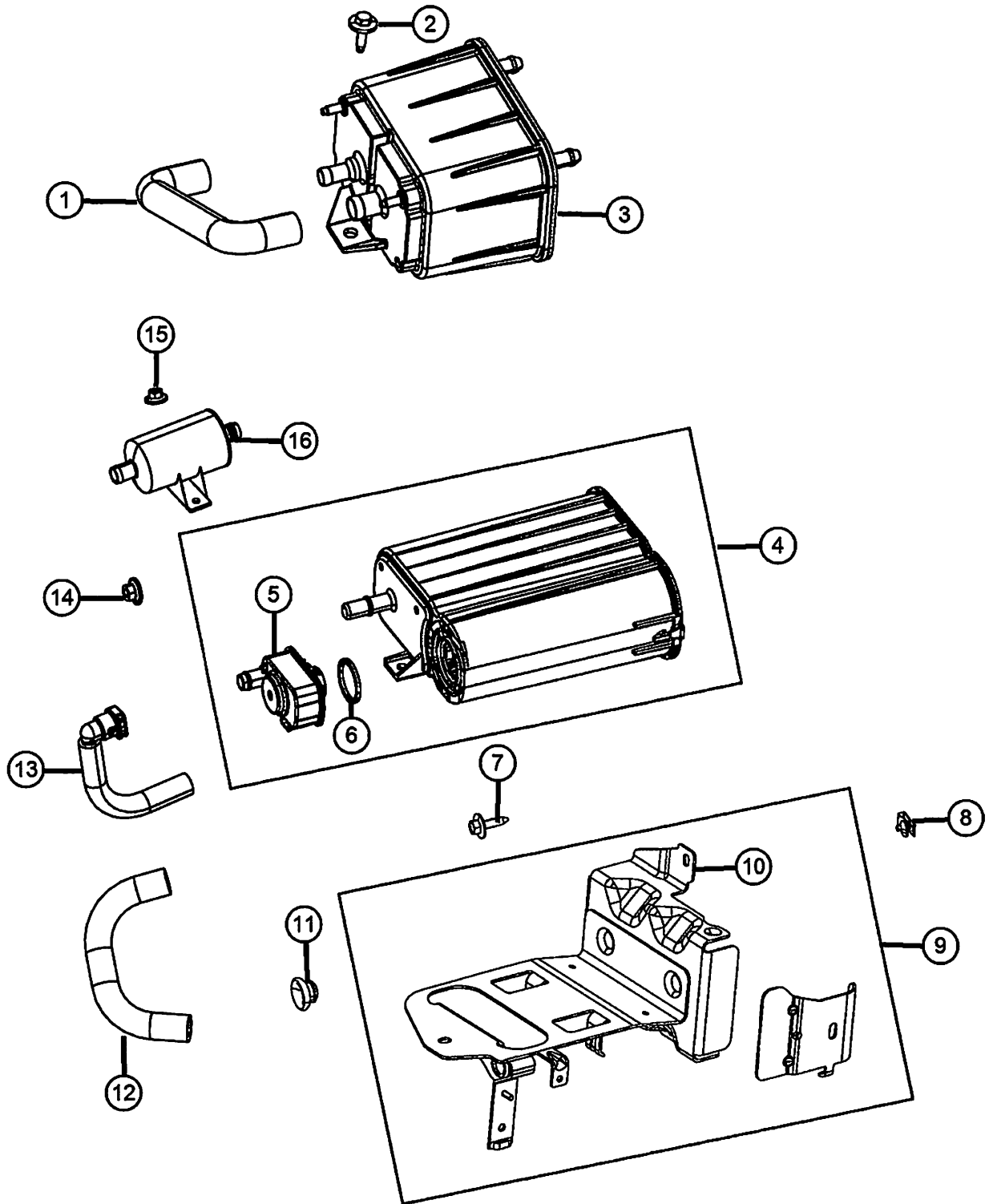
~~114739~~
114739 Kms
2567 Idle
5852 Drive
8419 HRS

- Needs frt Pads
- Evap vent is broke off fuel tank (needs tank)
- Complete Evap Canister Assy is broke & missing.

Repairs 5-7 hrs + Parts.

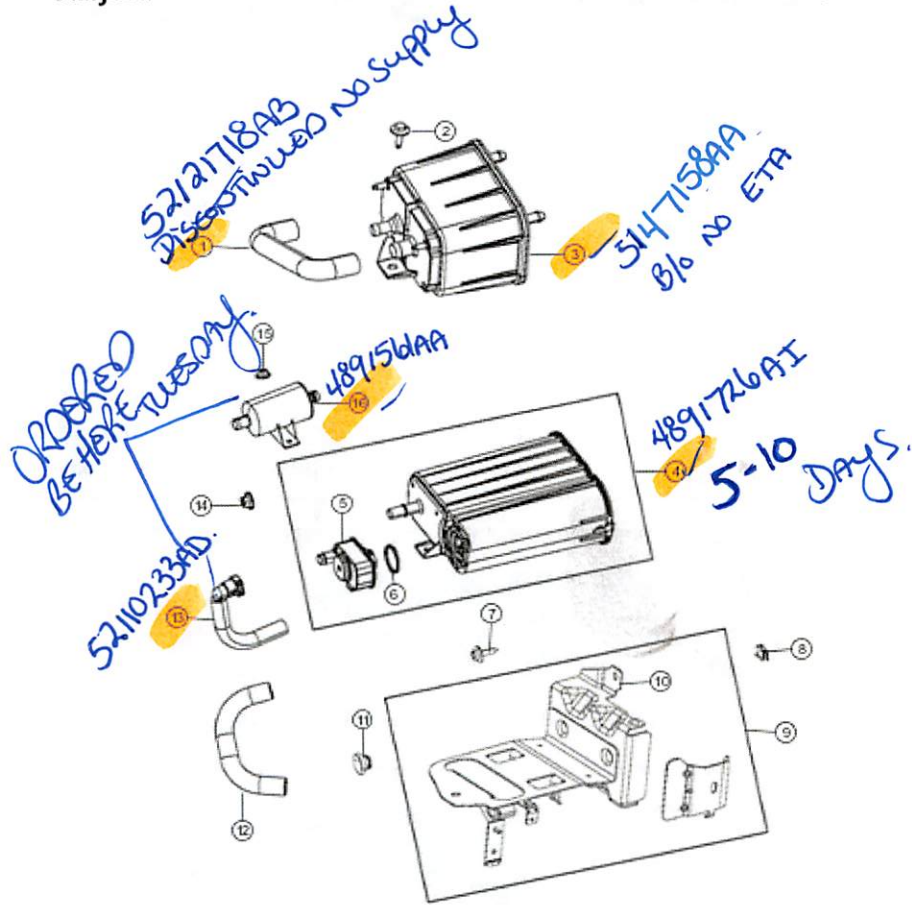
LABOR - 520
PARTS 648
1168

USED TANK FROM U315 - Ø
FRONT PADS - 48
CANISTER KIT - 600



Angela Klaasse

From: Rylan Desjardine <rylan@leducchrysler.com>
Sent: Thursday, June 27, 2024 11:01 AM
To: Angela Klaasse
Subject: Fw: EXTERNAL: Re: CHEMCO QUOTE



4398

\$867 RETAIL
CAN GET OUR PRICE
ONCE SYSTEM IS BACK UP.

Rylan DesJardine
Assistant Parts Manager
Leduc Chrysler
780-986-2051

This message and any attached documents are only for the use of the intended recipient(s), are confidential, and may contain privileged information. Any unauthorized review, use, retransmission, or other disclosure is strictly prohibited. If you have received this message in error, notify the sender immediately, and delete the original message.

On Jun 19, 2024, at 10:52 AM, Kailyn Michaud <kailyn@leducchrysler.com> wrote:

Sorry Ryan,

Systems are currently down nationwide. Will provide quote when it's back up and running.

Thanks

Kailyn Michaud
Parts Manager
Leduc Chrysler Jeep
(780)986-2051

<Outlook-0ng5oxhf.jpg>
<Outlook-eeqw1s2j.png>
<Outlook-kct1io52.png>

From: Ryan Andrew <randrew@chemco.com>
Sent: Wednesday, June 19, 2024 7:55 AM
To: Kailyn Michaud <kailyn@leducchrysler.com>
Subject: CHEMCO QUOTE

Good morning, can you please quote the following items from the attached emissions parts pic for 2013 Ram 2500 Vin#DG547325:

#1

#3

#4

#13

#16

Thanks!

Ryan Andrew
Parts & Service Advisor



From: Kailyn Michaud <kailyn@leducchrysler.com>

Sent: Thursday, June 20, 2024 8:43 AM

To: Ryan Andrew <randrew@chemco.com>

Subject: Re: EXTERNAL: Re: CHEMCO QUOTE

He sure did hahaha

Kailyn Michaud
Parts Manager
Leduc Chrysler

Get [Outlook for iOS](#)

From: Ryan Andrew <randrew@chemco.com>

Sent: Thursday, June 20, 2024 7:43:47 AM

To: Kailyn Michaud <kailyn@leducchrysler.com>

Subject: RE: EXTERNAL: Re: CHEMCO QUOTE

Rylan sure picked a good week to leave LOL

Ryan Andrew
Parts & Service Advisor

P. +1 (780) 436-9570

E. randrew@chemco.com

WRENCHHEAD MECHANICAL

3135 4 ST
NISKU, ALBERTA. T9E-8L1
Phone: 780-436-9570 Fax: 780- -



INVOICE

45081

INVOICE

Printed Date: 06/04/2024 Work Completed: 06/04/2024

CHEMCO ELECTRICAL-EQUIPMENT

3135-4th ST
NISKU, AB T9E-8L1
Office 780-436-9570 -- Fax 780-434-0811

2013 Dodge - RAM 2500 UNIT#U398 - 5.7L GAS
Lic # : BJZ-3751 Odometer In : 0
Unit # : U398
VIN # : 3C6TR5HT0 DG547325

Part Description / Number	Qty	Sale	Ext	Labor Description	Ext
BLOWER MOTOR ASSY-ORDER 76934	1.00	123.57	123.57	(1) REPAIRS AS REQUIRED AT BURNCO * SEE TECH SHEET	195.00
Shop Supplies			9.75		

Org. Estimate 201.41 Revisions 0.00 Current Estimate 201.41

Labor:	195.00
Parts:	133.32
SubTotal:	328.32
Tax:	16.42
Total:	344.74
Bal Due:	\$344.74

[Payments -]

5TR-10

Vehicle Received: 5/14/2024

Customer Number : 2548

GST#865376503RT0001

Signature _____ Date _____

WRENCHHEAD MECHANICAL

3135 4 ST
NISKU, ALBERTA. T9E-8L1
Phone: 780-436-9570 Fax: 780- -

REPAIR ORDER #

045081

REPAIR ORDER - RO

Scheduled : 05/14/2024 02:01 PM

Print Date : 5/14/2024

CHEMCO ELECTRICAL-EQUIPMENT

3135-4th ST
NISKU, AB T9E-8L1
Office 780-436-9570 --- Fax 780-434-0811
Cust ID :
Last Service : 5/10/2024

2013 Dodge - RAM 2500 UNIT#U398 - 5.7L GAS
Lic # : BJZ-3751 - AB
Unit # : U398
VIN # : 3C6TR5HT0 **DG547325**
MFG Date : 6/5/2013
Previous Odom : 109777
Current Odom : 0

Elapsed : 0

<i>Labor Requested / Part SubTotal</i>	Extended
(1) REPAIRS AS REQUIRED AT BURSCO	65.00
Shop Supplies	3.25
Parts Subtotal	123.57

Parts: 123.57
Labor: 65.00

Supplies: 3.25

Tax: 9.59

Total: 201.41
Balance: 201.41

TEARDOWN ESTIMATE: I understand that my vehicle will be reassembled within ___ days of the date shown above if I choose not to authorize the service recommended. All Parts removed will be discarded unless instructed otherwise: Save all Parts ____. NOT RESPONSIBLE FOR LOSS OR DAMAGE TO MY VEHICLE OR ARTICLES LEFT IN VEHICLES IN CASE OF FIRE, THEFT OR ANY OTHER CAUSE. ALL VEHICLES LEFT MUST HAVE OWN INSURANCE. ANY VEHICLES LEFT OVER 30 DAYS WITHOUT CONSENT WILL BE PROPERTY OF WRENCHHEAD MECHANICAL.

Authorized By _____ Date _____ Time _____

Technician Work Sheet Service Writer : ANDREW, RYAN

Print Date: 5/14/2024

2013 Dodge - RAM 2500 UNIT#U398

Hat # :

Repair Order #

VIN # : 3C6TR5HT0 DG547325

Color :

045081

Engine : 5.7L GAS

Location :

Lic # : BJZ-3751

Lic. State : AB

CHEMCO ELECTRICAL-EQUIPMENT

Schedule :

Office 780-436-9570 --- Fax 780-434-0811

Promised Date : 5/14/24 5:00 P.M.

Inspection Date : 6/05/13

Status :

Last Service : 5/10/24

Unit # : U398

Current Odometer : 0

Trans :

Previous Mileage : 109,777

Brakes :

Elapsed Mileage : 0

Manufacture Date : 6/05/13

Part Number	Part Description	Qty	Part Location
<input type="checkbox"/> 76934	BLOWER MOTOR ASSY/FLANGED/HVAC Blower Motor	1.00	

Labor Description	Charged Hours
<input type="checkbox"/> (1) REPAIRS AS REQUIRED AT BURNCO Technician : <none>	1.00

Notes

Vehicle Memo
RECALLS DONE 07/17/19

OUT ODOMETER : Total Hours Charged : 1.00
Hours out: 0.00

Tech Notes

WRENCHHEAD MECHANICAL

3135 4 ST
NISKU, ALBERTA. T9E-8L1
Phone: 780-436-9570 Fax: 780-

INVOICE

38501

INVOICE

Printed Date: 08/12/2022 Work Completed: 06/21/2022

CHEMCO ELECTRICAL-EQUIPMENT

3135-4th ST
NISKU, AB T9E-8L1
Office 780-436-9570 -- Fax 780-434-0811

2013 Dodge - RAM 2500 UNIT#U398 - 5.7L GAS
Lic # : BJZ-3751 Odometer In : 96860
Unit # : U398
VIN # : 3C6TR5HT0 DG547325

Part Description / Number	Qty	Sale	Ext	Labor Description	Ext
BATTERY 94R 730CCA 135RC-STK AB94R Shop Supplies	1.00	97.55	97.55	SEND UNIT TO DEALER FOR FUEL PUMP STRAIGHTLINE INV#539735	634.20
			39.84	CLEAN INT/EXT	162.50

Org. Estimate 102.43 Revisions 0.00 Current Estimate 102.43

Labor:	162.50
Parts:	137.39
Sublet:	634.20
SubTotal:	934.09
Tax:	46.70
Total:	980.79
Bal Due:	\$980.79

[Payments -]

STK. 138

Vehicle Received: 6/21/2022

Customer Number : 2548

GST#865376503RT0001

Signature _____ Date _____

WRENCHHEAD MECHANICAL

3135 4 ST
NISKU, ALBERTA. T9E-8L1
Phone: 780-436-9570 Fax: 780- *JK*

INVOICE

38470

INVOICE

Printed Date: 06/18/2022 Work Completed: 06/18/2022

CHEMCO ELECTRICAL-EQUIPMENT

3135-4th ST
NISKU, AB T9E-8L1
Office 780-436-9570 -- Fax 780-434-0811

2013 Dodge - RAM 2500 UNIT#U398 - 5.7L GAS
Lic # : BJZ-3751 Odometer In : 0
Unit # : U398
VIN # : 3C6TR5HT0 **DG547325**

Part Description / Number	Qty	Sale	Ext	Labor Description	Ext
DODGE FUEL PUMP MODULE -STK FG1432	1.00	475.23	475.23	PARTS ONLY, SENT TO STRAIGHTLINE DODGE	n/c

Org. Estimate 498.99 Revisions 0.00 Current Estimate 498.99

Labor:	0.00
Parts:	475.23
SubTotal:	475.23
Tax:	23.76
Total:	498.99
Bal Due:	\$498.99

[Payments -]

STK - 476

Vehicle Received: 6/18/2022

Customer Number : 2548

GST#865376503RT0001

Signature _____ Date _____

SO # 539735

SERVICE ORDER



Printed 06/21/2022 10:34:56 AM **CUSTOMER COPY - ** IN PROGRESS **** User 42177 Page 1

Customer No CHEMCO ELECTRICAL CONTRACTORS 9220 39 AVE NW EDMONTON, AB T6E 5T9	Advisor	Jim Depner	Promised	06/17/2022 11:45 AM	Tag	1614
	Shop	SS	Opened	06/17/2022 11:11 AM	Location	UNIT 398
Home	Bus	(000) 000-0000	Priority	Cashiered	PO #	
Cell	Today	(780) 235-7451				
Email						
Term	CHARGE					

License No	Odometer In	Odometer Out	InServ Date	Stock No
	1	96860		
Year	Make	Model	Model No	Colour
2013	RAM	2500	DJ7L92	
Vehicle ID No	Selling Dealer	Extended Warranty	Delivery Date	
3C6TR5HT0DG547325				
Engine Size	5.7L V8 HEMI ENGINE W/VARIABLE	Fleet #		

Request	Description	Job	CSR	Status
ELECT	CHECK FOR NO START	1	42177	Original
Labour	Description	Type	Hours	Amount
ELECT	Electrical	C	1.00	135.00
Rate	150.00	Parts Total		0.00
Technician	233 -	Labour Total		135.00
Cause	INSPECTED FOR NO START BATTERY DEAD DUE TOO EXCESSIVE CRANKING- BOOSTED TRUCK CRANKS OVER BUT DOES NOT START TESTED POWER AND GROUND TO FUEL PUMP BOTH CIRCUITS GOOD AND CARRY A LOAD FUEL PUMP DOES NOT RUN- NEEDS NEW FUEL; PUMP 1.0	Request Total		135.00

Request	Description	Job	CSR	Status
FUELP	INSTALL CUSTOMER SUPPLIED FUEL PUMP	2	42177	Approved
Labour	Description	Type	Hours	Amount
FUELP	INSTALL CUSTOMER SUPPLIED FUEL PUMP	C	3.00	405.00
Rate	150.00	Parts Total		0.00
Technician	344 -	Labour Total		405.00
Correction	DIRT/ ROCK ALL COVERING TANK, CLEANED BEFORE FUEL PUMP REMOVAL, NOTICED MUD PACKED KEPT BREATHER LINE IN PLACE ON TANK, REPAIRED WITH SLEEVE, IF ISSUE OCCURS IN FUTURE NEW GAS TANK REQUIRED INSTALLED FUEL PUMP CUST SUPPLIED, VEHICLE STARTS AND RUNS, CLEANED AND CLEARED MIL LIGHT	Request Total		405.00

Request	Description	Job	CSR	Status
GEN	MOUNT CUSTOMER SUPPLIED TIRE ON RIGHT FRONT - ROTATE TIRES AS REQUIRED	3	42177	Approved
Labour	Description	Type	Hours	Amount
GEN	MOUNT CUSTOMER SUPPLIED TIRE ON RIGHT FRONT - ROTATE TIRES AS REQUIRED	C	0.00	0.00
Rate	150.00	Parts Total		0.00
Technician	344 -	Labour Total		0.00
Correction	MOUNTED RF WHEEL, RE ATTACHED SPARE	Request Total		0.00

Request	Description	Job	CSR	Status
BATTREP	INSTALL CUSTOMER SUPPLIED BATTERY	4	42177	Approved
Labour	Description	Type	Hours	Amount
BATTREP	INSTALL CUSTOMER SUPPLIED BATTERY	C	0.50	49.95
Rate	150.00	Parts Total		0.00
Technician	344 -	Labour Total		49.95

ALL ITEMS ARE SUBJECT TO G.S.T.

O INDEBTEDNESS IS HEREBY ACKNOWLEDGED IN THE SUM OF \$ _____ BEING ALL OF THE BALANCE OWING FOR REPAIRS,
U PARTS, & ACCESSORIES DESCRIBED IN THIS WORK ORDER. SERVICE CHARGE OF 2% PER MONTH (24% PER ANNUM) CHARGED ON
 PAST DUE ACCOUNTS.
T DATE: _____ SIGNATURE: _____

STRAIGHTLINE

CHRYSLER • DODGE • JEEP • RAM



11116 88 Avenue • Fort Saskatchewan, AB • T8L 3K8
 Phone: (780) 998-0900 • Fax: (780) 998-0427
 Toll Free: 1-888-525-0900 • www.straightlinechrysler.ca
 GST #: R853711331

SO # 539735

SERVICE ORDER



Printed 06/21/2022 10:34:56 AM **CUSTOMER COPY - ** IN PROGRESS **** User 42177 Page 2

Customer No		Advisor Jim Depner	Promised 06/17/2022 11:45 AM	Tag 1614
CHEMCO ELECTRICAL CONTRACTORS		Shop SS	Opened 06/17/2022 11:11 AM	Location
9220 39 AVE NW		Priority	Cashiered	PO # UNIT 398
EDMONTON, AB T6E 5T9				
Home	Bus (000) 000-0000	License No	Odometer In	Odometer Out
Cell	Today (780) 235-7451	2013	1	96860
Email		Year	Make	Model
		2013	RAM	2500
		Vehicle ID No	Selling Dealer	Model No
		3C6TR5HT0DG547325		DJ7L92
		Engine Size 5.7L V8 HEMI ENGINE W/VARIABLE	Extended Warranty	Colour
	Term CHARGE			Delivery Date

Correction INSTALLED CUST SUPPLIED BATTERY, CORE ON PASS FLOOR Request Total 49.95

WHEEL NUTS HAVE BEEN TORQUED TO MANUFACTURER SPECIFICATIONS - IT IS THE CUSTOMER'S RESPONSIBILITY TO GET TIRES RETORQUED AFTER 80-100KM

Labour	589.95
Parts	0.00
Supplies	44.25
SUB-TOTAL	634.20
GST	31.71
TOTAL INVOICE	665.91

ALL ITEMS ARE SUBJECT TO G.S.T.

O INDEBTEDNESS IS HEREBY ACKNOWLEDGED IN THE SUM OF \$ _____ BEING ALL OF THE BALANCE OWING FOR REPAIRS,
U PARTS, & ACCESSORIES DESCRIBED IN THIS WORK ORDER. SERVICE CHARGE OF 2% PER MONTH (24% PER ANNUM) CHARGED ON
T PAST DUE ACCOUNTS.

DATE: _____ SIGNATURE: _____

WRENCHHEAD MECHANICAL

3135 4 ST
 NISKU, ALBERTA. T9E-8L1
 Phone: 780-436-9570 Fax: 780-

INVOICE

35298

INVOICE

Date: 06/19/2021

CHEMCO ELECTRICAL-EQUIPMENT

3135-4th ST
 NISKU, AB T9E-8L1
 Office 780-436-9570 -- Fax 780-434-0811

2013 Dodge - RAM 2500 UNIT#U398 - 5.7L GAS

Lic # : BJZ-3751

Odometer In : 0

Unit # : U398

VIN # : 3C6TR5HT0 **DG547325**

Part Description / Number	Qty	Sale	Ext	Labor Description	Ext
TRANSMISSION OIL/1L-STK TO	9.00	6.50	58.50	(1) INSPECT FOR TRANS STUCK IN 4TH GEAR? * DIAGNOSE AND SCAN UNIT. FOUND CODES FOR SHIFT SOLENOID. REPLACE SOLENOID PACK AND BOTH FILTERS. TEST DRIVE, OK.	585.00
LIGHT BULB-STK 3157	1.00	0.92	0.92	* REPLACE LEFT FRONT SIGNAL BULB	
TRANSMISSION FILTER KIT-ORDER 6-58843	1.00	53.74	53.74	* INSTALL SECOND BEACON	
TRANSMISSION SOLENOID-ORDER 68376695A	1.00	546.00	546.00	* SERVICE GEN ON DECK * NO HOURS OR KMS RECORDED	
Shop Supplies			29.25		

Org. Estimate 71.66 Revisions 0.00 Current Estimate 71.66

Labor:	585.00
Parts:	688.41
SubTotal:	1,273.41
Tax:	63.67
Total:	1,337.08
Bal Due:	\$1,337.08

STK -90

[Payments -]

Vehicle Received: 5/17/2021

Customer Number : 2548

GST#865376503RT0001

Signature _____ Date _____

WRENCHHEAD MECHANICAL

3135 4 ST
NISKU, ALBERTA. T9E-8L1
Phone: 780-436-9570 Fax: 780- -

REPAIR ORDER #

035298

REPAIR ORDER - RO

Scheduled : 05/17/2021 07:36 AM

Print Date : 5/17/2021

CHEMCO ELECTRICAL-EQUIPMENT

3135-4th ST
NISKU, AB T9E-8L1
Office 780-436-9570 --- Fax 780-434-0811
Cust ID :
Last Service : 3/4/2021

2013 Dodge - RAM 2500 UNIT#U398 - 5.7L GAS
Lic # : BJZ-3751 - AB
Unit # : U398
VIN # : 3C6TR5HT0 DG547325
MFG Date : 6/5/2013
Previous Odom : 75776
Current Odom : 0

Elapsed : 0

<i>Labor Requested / Part SubTotal</i>	Extended
(1) INSPECT FOR TRANS STUCK IN 4TH GEAR?	65.00
Shop Supplies	3.25
Parts Subtotal	0.00

Parts: 0.00
Labor: 65.00

Supplies: 3.25

Tax: 3.41

Total: 71.66
Balance: 71.66

TEARDOWN ESTIMATE: I understand that my vehicle will be reassembled within ___ days of the date shown above if I choose not to authorize the service recommended. All Parts removed will be discarded unless instructed otherwise: Save all Parts ____. NOT RESPONSIBLE FOR LOSS OR DAMAGE TO MY VEHICLE OR ARTICLES LEFT IN VEHICLES IN CASE OF FIRE, THEFT OR ANY OTHER CAUSE. ALL VEHICLES LEFT MUST HAVE OWN INSURANCE. ANY VEHICLES LEFT OVER 30 DAYS WITHOUT CONSENT WILL BE PROPERTY OF WRENCHHEAD MECHANICAL.

Authorized By _____ Date _____ Time _____

Technician Work Sheet Service Writer : ANDREW, RYAN

Print Date: 5/17/2021

2013 Dodge - RAM 2500 UNIT#U398

Hat # :

Repair Order #

VIN # : 3C6TR5HT0 DG547325

Color :

035298

Engine : 5.7L GAS

Location :

Lic # : BJZ-3751

Lic. State : AB

CHEMCO ELECTRICAL-EQUIPMENT

Office 780-436-9570 --- Fax 780-434-0811

Schedule :

Promised Date : 5/17/21 5:00 P.M.

Inspection Date : 6/05/13

Status :

Last Service : 3/04/21

Unit # : U398

Current Odometer : 0

Trans :

Previous Mileage : 75,776

Brakes :

Elapsed Mileage : 0

Manufacture Date : 6/05/13

Labor Description

Charged Hours

(1) INSPECT FOR TRANS STUCK IN 4TH GEAR? 1.00

Technician: <none>

Notes

Vehicle Memo
RECALLS DONE 07/17/19

OUT ODOMETER :

Total Hours Charged : 1.00

Hours out: 0.00

Tech Notes

- 2nd beacon
- service gen