

WRENCHHEAD MECHANICAL
 3135 4 ST
 NISKU, ALBERTA. T9E-8L1
 Phone: 780-436-9570 Fax: 780- -

RM
R26-3
144

INVOICE
40437
 Org. Est. # 057208

INVOICE

Printed Date: 02/16/2023 Work Completed: 02/16/2023

CHEMCO-OFF ROAD
 3135-4 ST
 NISKU, ALBERTA T9E-8L1
 Office 780-436-9570

2014 Cat - 289D SKIDSTEER UNIT#20226 -
 Lic # : Odometer In : 0
 Unit # : SS-0334
 VIN # : A9Z00334
 Engine Hrs In : 5888.0 Engine Hours Out : 5888.0

Part Description / Number	Qty	Sale	Ext	Labor Description	Ext
31 SERIES TOP POST-STK 31A-1000	1.00	99.37	99.37	(1) INSPECTION GET SITE READY (COMPLAINTS OF NOISE FROM R/S TRACK, WORN OUT TRACKS AND CHECK GPS)	3,315.00
CHEMCO MASTER VHF RADIO-STK NX3720M	1.00	675.00	675.00	** SEE TECH SHEET OIL/FILTER CHANGE	
VHF ANTENNA KIT-STK VHF M	1.00	54.95	54.95	** RE-SEAL AND TEST TILT CYLINDER** DYNAMIC FLUID INV#1008900	436.15
5PIN DOGHOUSE PANEL RELAY -STK P27-1150	1.00	7.34	7.34		
15AMP MINI BLADE FUSE -STK PATM-15	1.00	1.48	1.48		
AIR FILTER SECONDARY-STK AF25558	1.00	24.41	24.41		
AIR FILTER -STK AF25557	1.00	46.37	46.37		
FUEL FILTER ELEMENT-STK 363-5819	1.00	25.22	25.22		
LUBE FILTER-STK 377-6969	1.00	15.19	15.19		
AIR FILTER-STK PA5770	1.00	18.67	18.67		
AIR FILTER-STK PA5774	1.00	22.05	22.05		
HYD OIL-STK AW-32	2.50	3.91	9.78		
75W90 SYNTHETIC GEAR OIL-STK 75W90SYN	2.00	11.33	22.66		
0W40 SYN OIL PER/L -STK 0W40SYN	12.00	9.31	111.72		
OIL SAMPLE JAR-STK 3202711103-50	1.00	25.44	25.44		
FUEL FILTER-STK 416-5884	1.00	15.61	15.61		
FIRE EXT. BRACKET-STK ASF30937	1.00	84.78	84.78		
IDLER -ORDER 3041878	2.00	795.03	1,590.06		
SPROCKET -ORDER 3041916	2.00	386.33	772.66		
ROLLER -ORDER 3041890	1.00	420.40	420.40		

WRENCHHEAD MECHANICAL
 3135 4 ST
 NISKU, ALBERTA. T9E-8L1
 Phone: 780-436-9570 Fax: 780- -

INVOICE

40437

Org. Est. # 057208

INVOICE

Printed Date: 02/16/2023 Work Completed: 02/16/2023

CHEMCO-OFF ROAD
 3135-4 ST
 NISKU, ALBERTA T9E-8L1
 Office 780-436-9570

2014 Cat - 289D SKIDSTEER UNIT#20226 -
 Lic # : Odometer In : 0
 Unit # : SS-0334
 VIN # : A9Z00334
 Engine Hrs In : 5888.0 Engine Hours Out : 5888.0

Part Description / Number	Qty	Sale	Ext	Labor Description	Ext
COVER -ORDER 345-5112	1.00	408.84	408.84		
O RING SEAL -ORDER 482-8803	1.00	2.52	2.52		
VALVE -ORDER 480-8589	1.00	536.22	536.22		
450X86X56 ZZ TRACK-ORDER SD4508656BBE	2.00	1,911.77	3,823.54		
ROLLER-ORDER 5363549	5.00	398.00	1,990.00		
20MMX55MM BOLT-ORDER 20X55	10.00	3.12	31.20		
20MM WASHER-ORDER M20	10.00	0.38	3.80		
RETAINER -ORDER 388-6647	6.00	0.60	3.60		
CLIP -ORDER 388-6648	1.00	1.99	1.99		
FASTENER -ORDER 388-6646	6.00	6.36	38.16		
1 1/4" SILICONE RAD HOSE-STK Size: 1 1/4" 5515-125	4.00	1.41	5.64		
WASHER -ORDER 3E-4356	24.00	3.49	83.76		
BOLT -ORDER 8T-7338	24.00	6.19	148.56		
WASHER -ORDER 8T-5439	2.00	9.47	18.94		
BOLT -ORDER 8T-6430	2.00	10.61	21.22		
SPILL KIT BAG-STK RTXSK002	1.00	34.99	34.99		
MISC HARDWARE-STK MH5	2.00	10.00	20.00		
Shop Supplies			100.00		

WRENCHHEAD MECHANICAL
 3135 4 ST
 NISKU, ALBERTA. T9E-8L1
 Phone: 780-436-9570 Fax: 780- -

INVOICE

40437

Org. Est. # 057208

INVOICE

Printed Date: 02/16/2023 Work Completed: 02/16/2023

CHEMCO-OFF ROAD
 3135-4 ST
 NISKU, ALBERTA T9E-8L1
 Office 780-436-9570

2014 Cat - 289D SKIDSTEER UNIT#20226 -
 Lic # : Odometer In : 0
 Unit # : SS-0334
 VIN # : A9Z00334
 Engine Hrs In : 5888.0 Engine Hours Out : 5888.0

Part Description / Number	Qty	Sale	Ext	Labor Description	Ext
---------------------------	-----	------	-----	-------------------	-----

Org. Estimate 462.65 Revisions 0.00 Current Estimate 462.65

Labor:	3,315.00
Parts:	11,316.14
Sublet:	436.15
SubTotal:	15,067.29
Tax:	753.36
Total:	15,820.65
Bal Due:	\$15,820.65

[Payments -]

STK-1421

Vehicle Received: 1/25/2023

Customer Number : 3904

GST#865376503RT0001

Signature _____ Date _____

WRENCHHEAD MECHANICAL

3135 4 ST
NISKU, ALBERTA. T9E-8L1
Phone: 780-436-9570 Fax: 780- -

REPAIR ORDER #

040437

Org. Est. # 057208

REPAIR ORDER - RO

Scheduled : 01/25/2023 06:44 AM

Print Date : 1/25/2023

CHEMCO-OFF ROAD

3135-4 ST
NISKU, ALBERTA T9E-8L1
Office 780-436-9570
Cust ID : 3904
Last Service : 9/8/2022

2014 Cat - 289D SKIDSTEER UNIT#20226 -

Lic # : - AB
Unit # : SS-0334
VIN # : A9Z00334
MFG Date : 6/17/2015
Current Odom : 0

Previous Odom : 4424

Elapsed : 0

<i>Labor Requested / Part SubTotal</i>	Extended
(1) INSPECTION GET SITE READY (COMPLAINTS OF NOISE FROM R/S TRACK, WORN OUT TRACKS AND CHECK GPS)	325.00
Shop Supplies	16.25
	Parts Subtotal 0.00

Parts: 0.00
Labor: 325.00

Supplies: 16.25

Tax: 17.06

Total: 358.31
Balance: 358.31

TEARDOWN ESTIMATE: I understand that my vehicle will be reassembled within ___ days of the date shown above if I choose not to authorize the service recommended. All Parts removed will be discarded unless instructed otherwise: Save all Parts ____. NOT RESPONSIBLE FOR LOSS OR DAMAGE TO MY VEHICLE OR ARTICLES LEFT IN VEHICLES IN CASE OF FIRE, THEFT OR ANY OTHER CAUSE. ALL VEHICLES LEFT MUST HAVE OWN INSURANCE. ANY VEHICLES LEFT OVER 30 DAYS WITHOUT CONSENT WILL BE PROPERTY OF WRENCHHEAD MECHANICAL.

Authorized By _____ Date _____ Time _____

Technician Work Sheet Service Writer : GLAZIER, RUSSELL

Print Date: 1/25/2023

2014 Cat - 289D SKIDSTEER UNIT#20226 TRA

Hat # :

Repair Order #

VIN # : A9Z00334

Color : CAT YELLOW

040437

Engine :

Location :

Lic # :

Lic. State : AB

CHEMCO-OFF ROAD

Office 780-436-9570

Schedule : 1/25/23 7:00 A.M.

Promised Date : 1/25/23 5:00 P.M.

Inspection Date : 6/17/15

Status :

Last Service : 9/08/22

Unit # : SS-0334

Current Odometer : 0

Trans :

Previous Mileage : 4,424

Brakes :

Elapsed Mileage : 0

Manufacture Date : 6/17/15

Labor Description

Charged Hours

<input type="checkbox"/>	(1) INSPECTION GET SITE READY (COMPLAINTS OF NOISE FROM R/S TRACK, WORN OUT TRACKS AND CHECK GPS) Technician : <none>	5.00
--------------------------	---	------

OUT ODOMETER :

Total Hours Charged : 5.00

Hours out: 0.00

Tech Notes

Unit #: SS-0334

S/N:

Odometer:

Hours:

5880

Lab#	Repair Description	Date	Location	Tech Name	Hours
✓	Installed rollers, began installing new heater valve	Feb 2	Shop	Cole Chalifoux	2
-	Remove Sprockets. Buff new Sprockets tap holes. Install new clips on Belt guard. Install guard. Install Side Electrical guard. Tidy up around unit. Install Sprockets torque bolts to spec, Install L.R. Roller torque bolts to spec. Attempt to get, R.H. rear track frame pivot to take grease. will need to Remove track frame, Remove track frame (clean grease off groove. Reinstall track frame.	Feb 3/23	Shop	Trudy	8.5
-	torqued rollers, greased left side, installed heater valve	Feb 3 23	Shop	Cole	1
-	Install guards under unit. Bolt down cas	Feb 6/23	Shop	Trudy	1
-	Take off stands, Install tilt cyl, test Recheck hyd level, good. waiting on welding, finish in inspection.	Feb 9/23	Shop	Trudy	2
-	Fabricated 2 tabs for cover to sit on installed tabs + open Quick connect cover/step	Feb 14	Shop	Cole Chalifoux	4
					18.5

Parts

Mechanic ID:

Mechanic Signature:

Qty.	Part #	Description	STK/ORD	Qty.	Part #	Description	STK/ORD
✓ 1	480-8589	Heater valve	✓				
✓ 1	482 8803	O-Ring	✓				
✓ 5	3041890	Rollers	✓				
2		M6X-30mm bolts					
2		M6 NUTS					
4		M8X 24mm bolts					
4		M8 flat washers					
✓ 1	345-5112	Cover/step	✓				

V P = Pass F = Fail R = Repaired N/A = Not Applicable

Track & Rubber Tire Type													
UNIT #:	SS-0334	ODOMETER:					ENGINE HOURS:	5888	DATE:	Feb 8/23			
			P	F	R	N/A			P	F	R	N/A	
1	GENERAL OVERALL						25	Condition and cleanliness, damage		✓			
2	SPILL Kit Provided						26	Inflation, leaks, damage, wear, loose lug nuts /valve stems/ caps					✓
3	Check CHEMCO Decaling and Numbers: repair as Needed.	✓					27	Damage, deep cuts, abrasions, embedded foreign matter, proper adjustment	✓				
4	Fire Extinguisher Charge, Damage, and Mounting	✓					28	Damage, wear, mounting bolts	✓				
5	Fire Extinguisher inspection date:	Jan 16/24					29	Dirt, debris, tension, excessive damage	✓				
6	Fire extinguisher Number	37191					30	Damage, leaks	✓				
7	Lights	✓					31	Fluid level	✓				
8	Grab irons, steps, handholds	✓					32	Damage, leaks, mounting hardware	✓				
9	Tires, rims					✓	33	Fuel level, damage, leaks; drain water and sediment	✓				
10	Tracks and drive lugs	✓	✓	✓			34	Cracks, welds, debris	✓				
11	Sprocket rings and sleeves	✓	✓	✓			35	Debris between lift arm and work tool, damage	✓				
12	Idlers and bogies	✓	✓	✓			36	Structural damage, cracks, welds	✓				
13	Undercarriage	✓	✓	✓			37	Fluid level, check for debris buildup	✓				
14	Electrical and hydraulic lines	✓					38	Loose or missing nuts & bolts, loose guards, cleanliness, fluid leaks		✓		✓	
15	Hydraulic oil	✓	✓	✓			39	ENGINE					
16	Hydraulic cylinders, tubes, hoses, and fittings	✓	✓	✓			40	Engine oil	✓				
17	Fuel tank	✓					41	Engine coolant	✓				
18	Lift arms	✓					42	Air filter	✓				
19	Work tool	✓					43	Radiator	✓				
20	Body	✓					44	All hoses	✓				
21	Diesel exhaust fluid (DEF) tank (if equipped)					✓	45	All belts	✓				
22	Overall machine	✓					46	Covers and guards	✓				
23	Broken lamps, lenses, operation	✓					47	Overall engine compartment	✓				
24	Cab securely bolted/tightened down	✓					48	Batteries and hold downs	✓				

√ P = Pass F = Fail R = Repaired N/A = Not Applicable

Track & Rubber Tire Type											
		P	F	R	N/A			P	F	R	N/A
49	Fluid level, condition of oil	✓				69	Seat belt & mounting	✓			
50	Fluid level	✓				70	Fire extinguisher (if equipped)	✓	✓	✓	
51	Restriction indicator (if equipped)	✓				71	Windows and mirrors	✓			
52	Fin blockage, leaks	✓				72	Horn, backup alarm, lights	✓			
53	Cracks, wear spots, leaks	✓				73	All switches, gauges, and controls	✓			
54	Tension, wear, cracks	✓				74	Floor pedals and controls	✓			
55	Cleanliness, loose nuts and bolts, connections	✓				75	Cab air filter	✓			
56	Trash or dirt buildup, leaks	✓				76	ROPS	✓			
57						77	Overall cab interior	✓			
58	ON THE MACHINE, OUTSIDE THE CAB					78	Adjustment-height/weight, able to reach pedals	✓			
59	Lights, lenses	✓				79	Damage, wear, adjustment, age of seat belt, installation date	✓			
60	Mirrors, windows	✓				80	Charge, damage, inspection tag current	✓			
61	Windshield wipers & washers	✓				81	Condition, clean and adjust	✓			
62	ROPS	✓				82	Proper function	✓			
63	Housing or lens damage, cleanliness	✓				83	Correct operation, damage, cleanliness	✓			
64	Damage, cleanliness, movement	✓				84	Functional and clear of debris	✓			
65	Wear, damage to arm, fluid level	✓				85	Dirt, dust	✓			
66	Damage, loose mounting bolts	✓				86	Damage, loose mounting bolts	✓			
67	INSIDE THE CAB					87	Cleanliness, free from debris	✓			
68	Seat	✓				88	GPS	✓			

chemco	Track & Rubber Tire Type Skid Steer Loader Inspection Record	PDI-0121
---------------	---	-----------------

√ P = Pass F = Fail R = Repaired N/A = Not Applicable

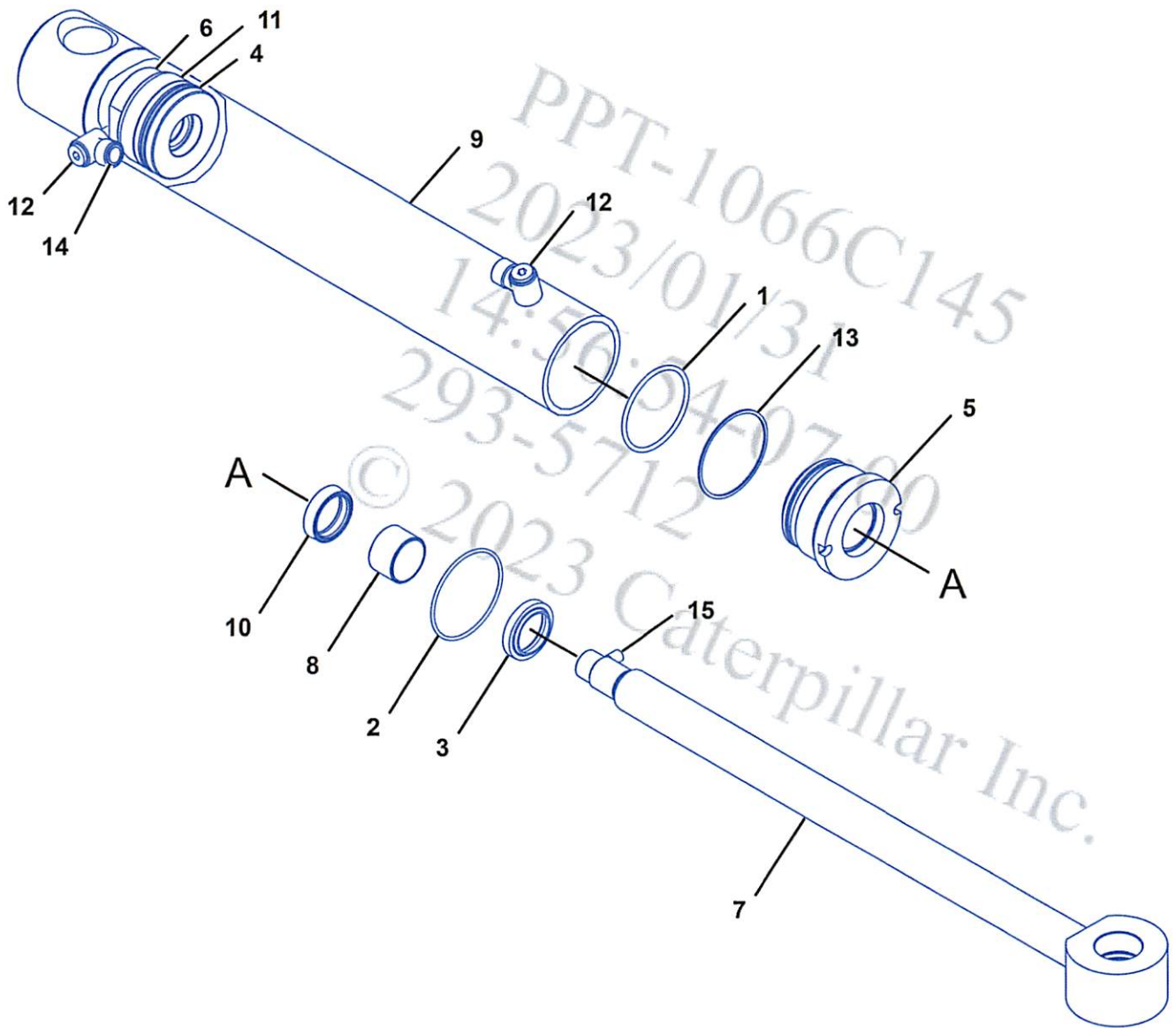
Charging System TEST							
VOLTS:	14.7	AMPS:		RPM:	1000		
Tire Pressure (If not recorded on prescribed Alberta Inspection Record) [] psi [] kPa							
LF:		RF:		LR:		RR:	

FUEL LEVEL:	TEST / DRIVE																	
	TEST []	or TEST DRIVE []																
	Comments:																	
<table border="1" style="width:100%; border-collapse: collapse;"> <tr> <th colspan="4" style="text-align: center;">CLEANING</th> </tr> <tr> <th></th> <th>Date</th> <th>Time</th> <th>Signature</th> </tr> <tr> <td>Washed (Fine Cleaned) <input type="checkbox"/></td> <td></td> <td></td> <td></td> </tr> <tr> <td>Disinfectant Mist (Clubroot) <input type="checkbox"/></td> <td></td> <td></td> <td></td> </tr> </table>	CLEANING					Date	Time	Signature	Washed (Fine Cleaned) <input type="checkbox"/>				Disinfectant Mist (Clubroot) <input type="checkbox"/>					
CLEANING																		
	Date	Time	Signature															
Washed (Fine Cleaned) <input type="checkbox"/>																		
Disinfectant Mist (Clubroot) <input type="checkbox"/>																		
	Technician (Print Name)	Technician Signature																

MAINTENANCE REQUIRED/REMARKS:

INSPECTION REPORT SIGN-OFF		
 Technician (Print Name)	 Technicians Signature	 Supervisors Signature

FINAL PRE-DELIVERY INSPECTION & TEST DRIVE	<input type="checkbox"/> Checklist Reviewed/Verified	<input type="checkbox"/> Test Drive
Technician (Print Name)	Technicians Signature	Date



293-5712 CYLINDER GP-TILT -LH
 75-MM (3-IN) BORE X 391.5-MM (15.5-IN) STROKE
 PART OF 375-0715 CYLINDER GP-LIFT ARM

Image #	Callout #	Part Number	Part Name	Quantity
Group Part				
		293-5712	Cylinder GP-Tilt	
Part List Items				
1	1	3E-6730 J	Seal-O-Ring	1
1	2	5P-0908 J	Seal-O-Ring	1
1	3	140-2392 J	Seal-Lip Type	1
1	4	161-7146 J	Seal-Piston	1
1	5	295-4464	Head	1
1	6	295-4465	Piston	1
1	7	295-4468	Rod AS	1
1	8	296-5140	Ring-Wear	1
1	9	295-4471	Cylinder AS	1
1	10	140-2377 J	Seal-U-Cup	1
1	11	150-9402 J	Ring-Wear	1
1	12	162-0177	Plug AS	2
(EACH INCLUDES)				
1		3J-1907	Seal-O-Ring	1
1		9S-8004	Plug (9/16-18-THD)	1
1	13	329-2591 J	Ring-Backup	1
1	14	6V-8398	Seal-O-Ring	2
1	15	9X-6611 M	Setscrew-Socket (M10X1.5X16-MM)	1

Image #	Callout #	Part Number	Part Name	Quantity
1		3K-2151 F	Bushing	1
AVAILABLE REPAIR KIT(S):				
		371-2751	Kit-Hyd Cylinder Seal	1

UNIT #:	SS-0334	UNIT TYPE/DESCRIPTION:	Skidsteer		
040437	ODOMETER:	ENGINE HOURS:	5888	DATE:	Jan 25

ITEM	REPAIR DESCRIPTION	QUOTED HOURS	ACTUAL HOURS
DONE ✓ 1	Wash		
DONE ✓ 2	Undercarriage in poor shape #20+21		
DONE ✓ 3	oil low		
DONE ✓ 4	low hyd oil		
DONE ✓ 5	Should pull Intake Vent. oil around positive Air		
DONE ✓ 6	Had to boost unit, needs Battery.		
DONE ✓ 7	no fire Ext or bracket		
✓ 8	quick attach guard missing.		
9	Aux couplers leaking. ?		
DONE ✓ 10	L.H Tilt cyl leakage ?		
DONE ✓ 11	next service 5900HK. Hyd Service 6063HK		
DONE ✓ 12	need updated service decal.		
DONE ✓ 13	no 2 way. VHF		
X 14	sweating hose on hyd pump		
DONE ✓ 15	topright hose on hyd reservoir leaking		
DONE ✓ 16	leak on heater box		
DONE ✓ 17	remove pans and wash compartment		

 Technician (Print Name) _____
 Technicians Signature

UNIT #: SS-0334 UNIT TYPE/DESCRIPTION: Skidsteer
 WOH# 040437 ODOMETER: ENGINE HOURS: 5888 DATE: Jan 26

ITEM	QTY	PART#	DESCRIPTION	IN STOCK	ORDER
	1	363-5819	Air filter		✓
✓	1	110-6331	Air filter AF25558	25-2	✓
✓	1	110-6326	Air filter AF25557	25-2	✓
✓	1	363-5819	Water Separator	56-2	
✓	1	377-6969	Engine oil filter	54-2	✓
✓	1	265-6618	Cab filter PA5710	21-3	✓
✓	1	265-6619	Cab filter PA5714	21-3	✓
	5	304-1884	Shaft (roller)		✓
	5	389-7622	Collar Seal (roller)		✓
	5	389-7623	Collar Seal (roller)		✓
	5	9F-2247	Plug Pipe (roller)		✓
	10	536-3586	Seal (roller)		✓
	10	109-6488	Retaining Ring (roller)		✓
	10	5M-2057	O-Ring (roller)		✓
✓	5	389-7626	Roller-Track SA 4366b (roller)		✓
	10	304-1882	Bearing		✓

304-1880

Technician (Print Name) COLE

Technicians Signature JAN 27-23 408 PM

FINNING (CANADA) SHOPPING CART

ORDER INFORMATION



Account: 0024205 - CHEMCO ELECTRICAL CONTRACTORS LTD
 Dealer Store: Edmonton RDC
 Request by date: 23-01-28

ORDER SUMMARY

Total Items: 6 Items
 Order Subtotal: \$2,859.49 CAD

ITEMS IN YOUR CART

2 item(s)

Quantity	Product Description	Notes	Availability ⓘ	Total Price (CAD)
1) 1	 345-5112: COVER AS 9.1 kg ⚠ Product Warning(s)		1: In Stock	\$408.84 \$445.07 ea. \$408.84 ea.
2) 5	 579-4366: ROLLER GP-TR 30.00 kg ⓧ Non-returnable part	Asset ID/Serial No. Line Item Note Replaces Part# 3897624 Customer Part No. Customer Item No.	3: West Edmonton Parts 1 Day 2: Spokane (CAT) 1-3 Days	\$2,450.65 \$497.59 ea. \$490.13 ea.

ORDER SUBTOTAL: \$2,859.49 CAD

304-1890
 ↓
 389-7624
 ↓
 579-4366

PK

~~3823.54~~
~~2859.49~~

 6683.03

Solo Equipment Products Inc.

RR# 1
56410 RRd 24
Onoway, AB T0E 1V0



Estimate

Date	Estimate #
2023-01-26	4798

Name / Address
Chemco 3135 4th Street Nisku, Alberta T9E 8L1

Ship To
Chemco 3135 4th Street Nisku, AB T9E 8L1

Customer Project/Job	Terms	Sales Rep	Make	Model	S/N
Rubber Tracks	Net 30	PF	CAT	289D	N/A

Item	Description	Quantity	U/M	Price Each	Total
SD4508656BBE	Premium Rubber Track 450-86-56 ZZ Pattern	2.00	ea	1,911.77	3,823.54
Freight	Incoming/Delivery Freight (Estimate Only, major discrepancies will be credit or invoiced separately) *Lead time is 1-2 Days FOB Edmonton*	1.00	ea	0.00	0.00
	*Delivered to Shop in Nisku. GST on sales			5.00%	191.18

Thank you for this opportunity.
Your Product Representative is
Paul Faria.
(780) 722-3170
paul@soloequipmentproducts.com

GST/HST No. 767288327

Subtotal	\$3,823.54
-----------------	------------

Customer P.O.

Customer Signature

Total Estimate	\$4,014.72
-----------------------	------------

UNIT #: SS-0334 UNIT TYPE/DESCRIPTION: skidsteer
 WORK# 040437 ODOMETER: ENGINE HOURS: 5888 DATE: Feb 1

ITEM	QTY	PART#	DESCRIPTION	IN STOCK	ORDER
	1	536-3549	Roller		398.00
	2	536-3551 536-3551	idler idler 795.04	1348.69	2697.38
		304-1878			
			Get Chappell to look at sprocket		
	2	304-1916	SPROCKET 386.33	464.53	929.06
			5848.54		4024.44
			4024.44		
			9872.98		
			FEB 2-23		
			116PM		

Technician (Print Name) _____ Technicians Signature _____

FINNING (CANADA): ORDER CONFIRMATION

Order Number: 0014131730

Order Date: February 2, 2023, 01:16 PM

ORDER INFORMATION

Account Number: 0024205-
 CHEMCO ELECTRICAL
 CONTRACTORS LTD
 Dealer Store: Edmonton RDC
 Request By Date: February 3,
 2023
EQUIPMENT:
 Serial # - a9z
 Ordered By: RUSS GLAZIER
 Email Address:
 rglazier@chemco.com
 Phone Number: 780-306-1159

PICKUP & DELIVERY INFORMATION

Shipping Method: Finning Parts
 Express
 Shipping Address:
 RUSS GLAZIER
 3135-4 st
 Nisku, Alberta T9E 8L1
 Canada
 780-306-1159
 rglazier@chemco.com
 Shipping Instructions:
 PrePaid

BILLING / PAYMENT INFORMATION

Billing Address:
 CHEMCO ELECTRICAL CONTR
 ACTORS LTD
 3135 4 STREET
 NISKU, Alberta T9E 8L1
 Canada

 Billing Method: Dealer Credit

 Purchase Order Number: 40437-SS0334

ITEMS IN YOUR ORDER

Quantity	Item	Weight	Availability ⓘ	Unit Price (CAD)	Total Price (CAD)
1) 24	<u>3E-4356: WASHER</u>	0.04 kg	24 In Stock	\$3.49 (Was \$3.54)	\$83.76



ADDITIONAL DETAILS

Asset ID/Serial Number	Line Item Note	Customer Part Number	Customer Item Number
a9z00334			

2) 24	<u>8T-7338: BOLT</u>	0.09 kg	24 In Stock	\$6.19 (Was \$6.28)	\$148.56
-------	----------------------	---------	-------------	------------------------	----------



ADDITIONAL DETAILS

Asset ID/Serial Number	Line Item Note	Customer Part Number	Customer Item Number
a9z00334			

3) 2	<u>8T-5439: WASHER</u>	0.05 kg	2 In Stock	\$9.47 (Was \$9.61)	\$18.94
------	------------------------	---------	------------	------------------------	---------



ADDITIONAL DETAILS

Asset ID/Serial Number	Line Item Note	Customer Part Number	Customer Item Number
a9z00334			

4) 2	<u>8T-6430: BOLT</u>	0.18 kg	2 In Stock	\$10.61 (Was \$10.77)	\$21.22
------	----------------------	---------	------------	--------------------------	---------



ADDITIONAL DETAILS

Asset ID/Serial Number Line Item Note
a9z00334

Customer Part Number

Customer Item
Number

ORDER SUBTOTAL: \$272.48 CAD
Shipping/Miscellaneous: \$0.00 CAD
Total Tax: \$13.62 CAD
GST/HST & PST: \$13.62 CAD
ORDER TOTAL: \$286.10 CAD

FINNING (CANADA): ORDER CONFIRMATION

Order Number: 0014127576

Order Date: January 31, 2023, 09:38 AM

ORDER INFORMATION

Account Number: 0024205-
CHEMCO ELECTRICAL
CONTRACTORS LTD
Dealer Store: Edmonton RDC
Request By Date: January 31,
2023
EQUIPMENT:
Serial # - a9z
Ordered By: RUSS GLAZIER
Email Address:
rglazier@chemco.com
Phone Number: 780-306-1159

PICKUP & DELIVERY INFORMATION

Shipping Method: Finning Parts
Express
Shipping Address:
RUSS GLAZIER
3135-4 st
Nisku, Alberta T9E 8L1
Canada
780-306-1159
rglazier@chemco.com
Shipping Instructions:
PrePaid




BILLING / PAYMENT INFORMATION

Billing Address:
CHEMCO ELECTRICAL CONTR
ACTORS LTD
3135 4 STREET
NISKU, Alberta T9E 8L1
Canada

Billing Method: Dealer Credit

Purchase Order Number: 40437-SS0334

ITEMS IN YOUR ORDER

	Quantity	Item	Weight	Availability ⓘ	Unit Price (CAD)	Total Price (CAD)
1)	6	<u>388-6647: Retainer</u> 	0.0 kg	6 In Stock	\$0.60 (Was \$0.61)	\$3.60
2)	6	<u>388-6648: Clip</u> 	0.01 kg	6 In Stock	\$1.99 (Was \$2.02)	\$11.94
3)	6	<u>388-6646: Quarter Turn Stud</u> 	0.01 kg	6 In Stock	\$6.36 (Was \$6.46)	\$38.16

ORDER SUBTOTAL: \$53.70 CAD
Shipping/Miscellaneous: \$0.00 CAD
Total Tax: \$2.69 CAD
GST/HST & PST: \$2.69 CAD
ORDER TOTAL: \$56.39 CAD

FINNING (CANADA) SHOPPING CART

ORDER INFORMATION

Account: 0024205 - CHEMCO ELECTRICAL CONTRACTORS LTD
Dealer Store: Edmonton RDC
Request by date: 23-02-01

ORDER SUMMARY

Total Items: 3 Items
Order Subtotal: \$540.50 CAD

ITEMS IN YOUR CART

3 Item(s)

Quantity	Product Description	Availability ⓘ	Total Price (CAD)
1) 1	 480-8589: Valve Assembly-Water (Electronic) 0.25 kg ⚠ Product Warning(s)	1: In Stock	\$536.22 \$644.39 ea. \$536.22 ea.
2) 1	 311-3520: Machine Screw ⚠ Product Warning(s)	1: In Stock	\$1.76 \$1.79 ea. \$1.76 ea.
3) 1	 482-8803: O-Ring ⚠ Product Warning(s)	1: In Stock	\$2.52 \$2.56 ea. \$2.52 ea.
ORDER SUBTOTAL:			\$540.50 CAD

FINNING (CANADA): ORDER CONFIRMATION

Order Number: 0014126883

Order Date: January 30, 2023, 04:36 PM

ORDER INFORMATION

Account Number: 0024205-

CHEMCO ELECTRICAL

CONTRACTORS LTD

Dealer Store: Edmonton RDC

Request By Date: January 31, 2023

EQUIPMENT:

ID - 20226-A9Z00334 Model- 289D

Serial # - a9z00334

Ordered By: RUSS GLAZIER

Email Address:

rglazier@chemco.com

Phone Number: 780-306-1159

PICKUP & DELIVERY INFORMATION

Shipping Method: Finning Parts Express

Shipping Address:

RUSS GLAZIER

3135-4 st

Nisku, Alberta T9E 8L1

Canada

780-306-1159

rglazier@chemco.com

Shipping Instructions:

PrePaid

BILLING / PAYMENT INFORMATION

Billing Address:

CHEMCO ELECTRICAL CONTR

ACTORS LTD

3135 4 STREET

NISKU, Alberta T9E 8L1

Canada

Billing Method: Dealer Credit

Purchase Order Number: 40437-SS0334

ITEMS IN YOUR ORDER

Quantity	Item	Weight	Availability ⓘ	Unit Price (CAD)	Total Price (CAD)	
1)	1	<u>480-8589: Valve Assembly-Water (Electronic)</u>	0.25 kg	1 In Stock	\$536.22 (Was \$544.39)	\$536.22
						
2)	1	<u>311-3520: Machine Screw</u>	0.0 kg	1 In Stock	\$1.76 (Was \$1.79)	\$1.76
						

ORDER SUBTOTAL: \$537.98 CAD
 Shipping/Miscellaneous: \$0.00 CAD
 Total Tax: \$26.90 CAD
 GST/HST & PST: \$26.90 CAD
ORDER TOTAL: \$564.88 CAD

FINNING (CANADA): ORDER CONFIRMATION

Order Number: 0014123725

Order Date: January 27, 2023, 04:08 PM

ORDER INFORMATION

Account Number: 0024205-

CHEMCO ELECTRICAL
CONTRACTORS LTD

Dealer Store: Edmonton RDC

Request By Date: January 30,
2023

EQUIPMENT:
ID - 20226-A9Z00334 Model- 289D
Serial # - a9z00334

Ordered By: RUSS GLAZIER

Email Address:
rglazier@chemco.com

Phone Number: 780-306-1159

PICKUP & DELIVERY INFORMATION

Shipping Method: Finning Parts
Express

Shipping Address:
RUSS GLAZIER
3135-4 st
Nisku, Alberta T9E 8L1
Canada
780-306-1159
rglazier@chemco.com

Shipping Instructions:
PrePaid

BILLING / PAYMENT INFORMATION

Billing Address:
CHEMCO ELECTRICAL CONTR
ACTORS LTD
3135 4 STREET
NISKU, Alberta T9E 8L1
Canada

Billing Method: Dealer Credit

Purchase Order Number: 40437-SS0334

ITEMS IN YOUR ORDER

Quantity	Item	Weight	Availability	Unit Price (CAD)	Total Price (CAD)	
1)	1	<u>345-5112: COVER AS</u>	9.1 kg	1 In Stock	\$408.84 (Was \$415.07)	\$408.84



ORDER SUBTOTAL: \$408.84 CAD
Shipping/Miscellaneous: \$0.00 CAD
Total Tax: \$20.44 CAD
GST/HST & PST: \$20.44 CAD
ORDER TOTAL: **\$429.28 CAD**

WRENCHHEAD MECHANICAL

3135 4 ST
NISKU, ALBERTA. T9E-8L1
Phone: 780-436-9570 Fax: 780- -

R

INVOICE

37979

INVOICE

Ref #: 5632 HOURS

Printed Date: 04/27/2022

Work Completed: 04/27/2022

CHEMCO-OFF ROAD

3135-4 ST
NISKU, ALBERTA T9E-8L1
Office 780-436-9570

2014 Cat - 289D SKIDSTEER UNIT#20226 -

Lic # :
Unit # : SS-0334
VIN # : A9Z00334
Engine Hrs In : 5632.0

Odometer In : 0

Engine Hours Out : 5632.0

Part Description / Number	Qty	Sale	Ext	Labor Description	Ext
Shop Supplies			14.63	(1) REPAIRS AS REQUIRED * DRIVE TO SITE, OPERATOR COMPLAINT QUICK ATTACH NOT OPENING OR CLOSING. DIAG UNIT. BROKEN WIRES AT PLUG TO SOLENOID. REPAIR CONNECTIONS AND ADD SHEATHING TO CABLES. * DIAG TRACKS ISSUE. UNIT NEEDS UNDER CARRIAGE	292.50

Org. Estimate 322.49 Revisions 0.00 Current Estimate 322.49

Labor:	292.50
Parts:	14.63
SubTotal:	307.13
Tax:	15.36
Total:	322.49
Bal Due:	\$322.49

STK 14.63

[Payments -]

Vehicle Received: 4/27/2022

Customer Number : 3904

GST#865376503RT0001

Signature _____ Date _____

WRENCHHEAD MECHANICAL

3135 4 ST
NISKU, ALBERTA. T9E-8L1
Phone: 780-436-9570 Fax: 780-

INVOICE

36001

INVOICE

Ref # : 4939 HOURS

Date: 08/24/2021

CHEMCO-OFF ROAD

3135-4 ST
NISKU, ALBERTA T9E-8L1
Office 780-436-9570

2014 Cat - 289D SKIDSTEER UNIT#20226 -

Lic # :
Unit # : SS-0334
VIN # : A9Z00334

Odometer In : 0

Engine Hrs In : 4939.0

Engine Hours Out : 4939.0

Part Description / Number	Qty	Sale	Ext	Labor Description	Ext
VEE BELT -ORDER 5L3979	1.00	27.52	27.52	(1) REPAIRS AS REQUIRED	195.00
VBELT -ORDER 1988354	1.00	26.45	26.45	* CHECK FOR ENGINE NOISE * FOUND BELTS OLD AND CRACKED * REPLACED BOTH BELTS * RETEST UNIT	
Shop Supplies			9.75		

Org. Estimate 271.66 Revisions 0.00 Current Estimate 271.66

Labor:	195.00
Parts:	63.72
SubTotal:	258.72
Tax:	12.94
Total:	271.66
Bal Due:	\$271.66

STK 10

[Payments -]
Vehicle Received: 8/24/2021

Customer Number : 3904

GST#865376503RT0001

Signature _____ Date _____

WRENCHHEAD MECHANICAL
 3135 4 ST
 NISKU, ALBERTA. T9E-8L1
 Phone: 780-436-9570 Fax: 780- -

INVOICE
32701
 Org. Est. # 049434

INVOICE

Date: 06/03/2020

CHEMCO-OFF ROAD
 3135-4 ST
 NISKU, ALBERTA T9E-8L1
 Office 780-436-9570

2014 Cat - 289D SKIDSTEER UNIT#20226 -
 Lic # :
 Unit # : SS-0334
 VIN # : A9Z00334
 Engine Hrs In : 4036.0
 Odometer In : 0
 Engine Hours Out : 4036.0

Part Description / Number	Qty	Sale	Ext	Labor Description	Ext
IDLER-ORDER 5363550	2.00	1,055.02	2,110.04	(1) REPAIR AS REQUIRED ** SEE TECH SHEET **	1,040.00
BOLT-ORDER 8T6430	4.00	8.01	32.04		
WASHER-ORDER 8T5439	4.00	7.02	28.08		
450X86X56 TRACKS-ORDER 3725791	2.00	1,473.37	2,946.74		
REDTAC #2 GREASE-STK MULTI-P-220-2-14	2.00	4.53	9.06		
5" ZIP DISC-STK 11T052	4.00	4.42	17.68		
Shop Supplies			52.00		

Org. Estimate 6,547.42 Revisions 0.00 Current Estimate 6,547.42

Labor:	1,040.00
Parts:	5,195.64
SubTotal:	6,235.64
Tax:	311.78
Total:	6,547.42
Bal Due:	\$6,547.42

STK-79

[Payments -]
 Vehicle Received: 2020-06-03

Customer Number : 3904

GST#865376503RT0001
 Signature _____ Date _____

WRENCHHEAD MECHANICAL

3135 4 ST

NISKU, ALBERTA. T9E-8L1

Phone: 780-436-9570 Fax: 780- -

REPAIR ORDER #

032701

Org. Est. # 049434

REPAIR ORDER - RO

Scheduled : 05/27/2020 10:21 AM

Print Date : 5/27/2020

CHEMCO-OFF ROAD

3135-4 ST

NISKU, ALBERTA T9E-8L1

Office 780-436-9570

Cust ID : 3904

Last Service : 2020-04-30

2014 Cat - 289D SKIDSTEER UNIT#20226 -

Lic # : - AB

Unit # : SS-0334

VIN # : A9Z00334

MFG Date : 6/17/2015

Previous Odom : 3956

Current Odom : 0

Elapsed : 0

Labor Requested / Part SubTotal

Extended

(1) REPAIR AS REQUIRED

130.00

Shop Supplies

Parts Subtotal 0.00

6.50

Parts: 0.00

Supplies: 6.50

Labor: 130.00

Tax: 6.83

Total: 143.33

Balance: 143.33

TEARDOWN ESTIMATE: I understand that my vehicle will be reassembled within ___ days of the date shown above if I choose not to authorize the service recommended. All Parts removed will be discarded unless instructed otherwise: Save all Parts ____. NOT RESPONSIBLE FOR LOSS OR DAMAGE TO MY VEHICLE OR ARTICLES LEFT IN VEHICLES IN CASE OF FIRE, THEFT OR ANY OTHER CAUSE. ALL VEHICLES LEFT MUST HAVE OWN INSURANCE. ANY VEHICLES LEFT OVER 30 DAYS WITHOUT CONSENT WILL BE PROPERTY OF WRENCHHEAD MECHANICAL.

Authorized By _____ Date _____ Time _____

Technician Work Sheet Service Writer : GLAZIER, RUSSELL

Print Date: 5/27/2020

2014 Cat - 289D SKIDSTEER UNIT#20226

Hat # :

Repair Order #

VIN # : A9Z00334

Color : CAT YELLOW

032701

Engine :

Location :

Lic # :

Lic. State : AB

CHEMCO-OFF ROAD

Schedule : 5/27/20 10:30 A.M.

Office 780-436-9570

Promised Date : 5/27/20 5:00 P.M.

Inspection Date : 6/17/15

Status :

Last Service : 4/30/20

Unit # : SS-0334

Current Odometer : 0

Trans :

Previous Mileage : 3,956

Brakes :

Elapsed Mileage : 0

Manufacture Date : 6/17/15

Labor Description

Charged Hours

(1) REPAIR AS REQUIRED 2.00

Technician : <none>

OUT ODOMETER : 4036

Total Hours Charged : 2.00

Hours out: 0.00

Tech Notes

Unit #: S50334

S/N:

Odometer:

Hours: 1036

Lab: Repair Description Date Location Tech Name Hours

- Travel to Choice you trailer
 - Travel to SHD Steer on trailer
 - Travel to Back to Shop
 - Travel to Shop
 - Travel to Shop

- RT or Stands
 - rear fenders / rear I bar
 - Snap SPONKERS
 - 1/4" stall for I-bars / track
 - grease with

- repair wires to quick a/TL

Parts
 Mechanic ID:
 Mechanic Signature:
 STK/ORD Qty. Description Part # Description Part # Description STK/ORD

2 2 Ildos
 2 2 HCLTS
 4 4 Brkts
 4 4 Washes
 2 2 Tubs on Grease

Blank grid area for additional parts and descriptions.

Unit #: 55-0334 S/N:

Lab#

WASHED OUTSIDE OF UNIT

Cut the oil torque

Odometer:

Hours:

Date

Tech Name

JUNE/20 SHD

J.D.

JUNE/20 SHD

SHD W02

4

1

Parts

Qty.

Part #

Description

STK/ORD

Qty.

Part #

Description

STK/ORD

11-T 052

Cutting Wheel

STK

5.0



REQUISITION FOR MATERIAL ORDER

Special Instructions:

Job #1192-001 : Contact Leyton Poloway for delivery and Equipment Issues

Ship To: (if other than standard jobsite location)

Requisition Num: **1000-004-E-00366**

Sheet 1 of 1

Activity Num: 1000-004-NA-NA

Activity Name: _____

Project Name: Telus Falcon

Project Location: Edmonton

Date Required: 27-May-20

ITEM	QTY	UNIT	DESCRIPTION OF MATERIAL	SUPPLIER
M 1	1	ea	Repair / Replacement Tire for Trailer, Unit #RTR 1080 (Need Tire replaced for Trailer/ Loose Tire will be sent to Chemco Main)	
Extra Info			Contact Leyton P	Shipped Qty
M 2	1	ea	Repair & Return - Unit #SS-0334, (please contact Leyton for details of repair)	
Extra Info			Contact Leyton P	Shipped Qty

PRE-DELIVERY INSPECTION

OK N/A

- Quantity Matches Requisition
- Model/Part# Match Requisition
- Overall Condition/Cleanliness
- Function
- Accessories/Leads/Loose Parts
- Calibration Valid/Cert Included
- Fuel
- Openings Water Proof

Comment:

Inspector Date

Requisitioned By _____ Date _____

Approved By _____ Date _____

Owner's Approval _____ Date _____

WRENCHHEAD MECHANICAL
 3135 4 ST
 NISKU, ALBERTA. T9E-8L1
 Phone: 780-436-9570 Fax: 780- -

FM

INVOICE
32129
 Org. Est. # 048857

INVOICE

Date: 03/17/2020

CHEMCO-OFF ROAD
 3135-4 ST
 NISKU, ALBERTA T9E-8L1
 Office 780-436-9570

2014 Cat - 289D SKIDSTEER UNIT#20226 -
 Lic # : Odometer In : 3947
 Unit # : SS-0334
 VIN # : A9Z00334
 Engine Hrs In : 3947.0 Engine Hours Out : 3947.0

Part Description / Number	Qty	Sale	Ext	Labor Description	Ext
EDGE BOB CAT BUCKET-ORDER 6718008	1.00	145.08	145.08	(1) INSPECT CUTTING EDGE ** SEE TECH SHEET **	65.00
CORNER EDGE BOBCAT BUCKET-ORDER 6719407	2.00	27.69	55.38	(2) DIAGNOSE DISPLAY SCREEN (DISPLAY SCREEN IS BLANK) ** SEE TECH SHEET **	65.00
BOLT-ORDER 31C816	4.00	4.29	17.16		
MONITOR-ORDER 20R8760 Shop Supplies	1.00	1,443.91	1,443.91		
			6.50		

Org. Estimate 1,887.93 Revisions 0.00 Current Estimate 1,887.93

Labor:	130.00
Parts:	1,668.03
SubTotal:	1,798.03
Tax:	89.90
Total:	1,887.93
Bal Due:	\$1,887.93

STK-7

[Payments -]
 Vehicle Received: 2020-03-17

Customer Number : 3904

GST#865376503RT0001
 Signature _____ Date _____

WRENCHHEAD MECHANICAL

3135 4 ST
NISKU, ALBERTA. T9E-8L1
Phone: 780-436-9570 Fax: 780- -

REPAIR ORDER #

032129

Org. Est. # 048857

REPAIR ORDER - RO

Scheduled : 03/05/2020 07:24 AM

Print Date : 3/9/2020

CHEMCO-OFF ROAD

3135-4 ST
NISKU, ALBERTA T9E-8L1
Office 780-436-9570
Cust ID : 3904
Last Service : 2019-11-28

2014 Cat - 289D SKIDSTEER UNIT#20226 -

Lic # : - AB
Unit # : SS-0334
VIN # : A9Z00334
MFG Date : 6/17/2015
Current Odom : 0

Previous Odom : 3803

Elapsed : 0

<i>Labor Requested / Part SubTotal</i>	Extended
(1) INSPECT CUTTING EDGE	97.50
(2) DIAGNOSE DISPLAY SCREEN (DISPLAY SCREEN IS BLANK)	65.00
Shop Supplies	8.13
Parts Subtotal	0.00

Parts: 0.00
Labor: 162.50

Supplies: 8.13

Tax: 8.53

Total: 179.16
Balance: 179.16

TEARDOWN ESTIMATE: I understand that my vehicle will be reassembled within ___ days of the date shown above if I choose not to authorize the service recommended. All Parts removed will be discarded unless instructed otherwise: Save all Parts ____. NOT RESPONSIBLE FOR LOSS OR DAMAGE TO MY VEHICLE OR ARTICLES LEFT IN VEHICLES IN CASE OF FIRE, THEFT OR ANY OTHER CAUSE. ALL VEHICLES LEFT MUST HAVE OWN INSURANCE. ANY VEHICLES LEFT OVER 30 DAYS WITHOUT CONSENT WILL BE PROPERTY OF WRENCHHEAD MECHANICAL.

Authorized By _____ Date _____ Time _____

2014 Cat - 289D SKIDSTEER UNIT#20226

Hat # :

Repair Order #

VIN # : A9Z00334

Color : CAT YELLOW

032129

Engine :

Location :

Lic # :

Lic. State : AB

CHEMCO-OFF ROAD

Schedule : 3/05/20 7:30 A.M.

Office 780-436-9570

Promised Date : 3/05/20 5:00 P.M.

Inspection Date : 6/17/15

Status :

Last Service : 11/28/19

Unit # : SS-0334

Current Odometer : 0

Trans :

Previous Mileage : 3,803

Brakes :

Elapsed Mileage : 0

Manufacture Date : 6/17/15

Labor Description

Charged Hours

<input checked="" type="checkbox"/> (1) INSPECT CUTTING EDGE	1.50
Technician : <none>	
<input checked="" type="checkbox"/> (2) DIAGNOSE DISPLAY SCREEN (DISPLAY SCREEN IS BLANK)	1.00
Technician : <none>	

OUT ODOMETER : 3947

Total Hours Charged : 2.50

Hours out: 0.00

Tech Notes



REQUISITION FOR MATERIAL ORDER

Special Instructions:

ANDY

Requisition Num: **600-E-01256**

Sheet 1 of 1

Activity Num: 600-001-001-001

Activity Name: Office

Ship To: (if other than standard jobsite location)

Project Name: Nisku Office

Receiving _____

Project Location: Nisku

Date Required: 11-Mar-20



ITEM	QTY	UNIT	DESCRIPTION OF MATERIAL	SUPPLIER
1	1	EA	needs a new cutting blade on bucket	
Extra Info		UNIT SS 0334 CAT SKIDSTEER 289D		Shipped Qty

PRE-DELIVERY INSPECTION

OK N/A

- Quantity Matches Requisition
- Model/Part# Match Requisition
- Overall Condition/Cleanliness
- Function
- Accessories/Leads/Loose Parts
- Calibration Valid/Cert Included
- Fuel
- Openings Water Proof

Comment:

Inspector Date

RECEIVED

By *tchuhan* at 9:18 am, Mar 03, 2020

Requisitioned By _____ Date _____

Approved By _____ Date _____

Owner's Approval _____ Date _____



REQUISITION FOR MATERIAL ORDER

Special Instructions:

ANDY HEMMERLING

Ship To: (if other than standard jobsite location)
Receiving

Requisition Num: **600-E-01264**

Sheet 1 of 1

Activity Num: 600-001-001-001

Activity Name: Office

Project Name: Nisku Office

Project Location: Nisku

Date Required: 13-Mar-20



ITEM	QTY	UNIT	DESCRIPTION OF MATERIAL	SUPPLIER
1	1	EA	display screen isn't showing up just a black screen when machine is running	
Extra Info			UNIT SS-0334 CAT 289	Shipped Qty

PRE-DELIVERY INSPECTION

OK N/A

- Quantity Matches Requisition
- Model/Part# Match Requisition
- Overall Condition/Cleanliness
- Function
- Accessories/Leads/Loose Parts
- Calibration Valid/Cert Included
- Fuel
- Openings Water Proof

Comment:

Inspector Date

RECEIVED

By tchuhan at 11:24 am, Mar 09, 2020

Requisitioned By

Approved By

Owner's Approval

Date

Date

