

FIELD WORKSHEET

DATE <i>July 1/2019</i>	UNIT # <i>9</i>
HOURS <i>856</i>	NAME <i>David + Colby</i>

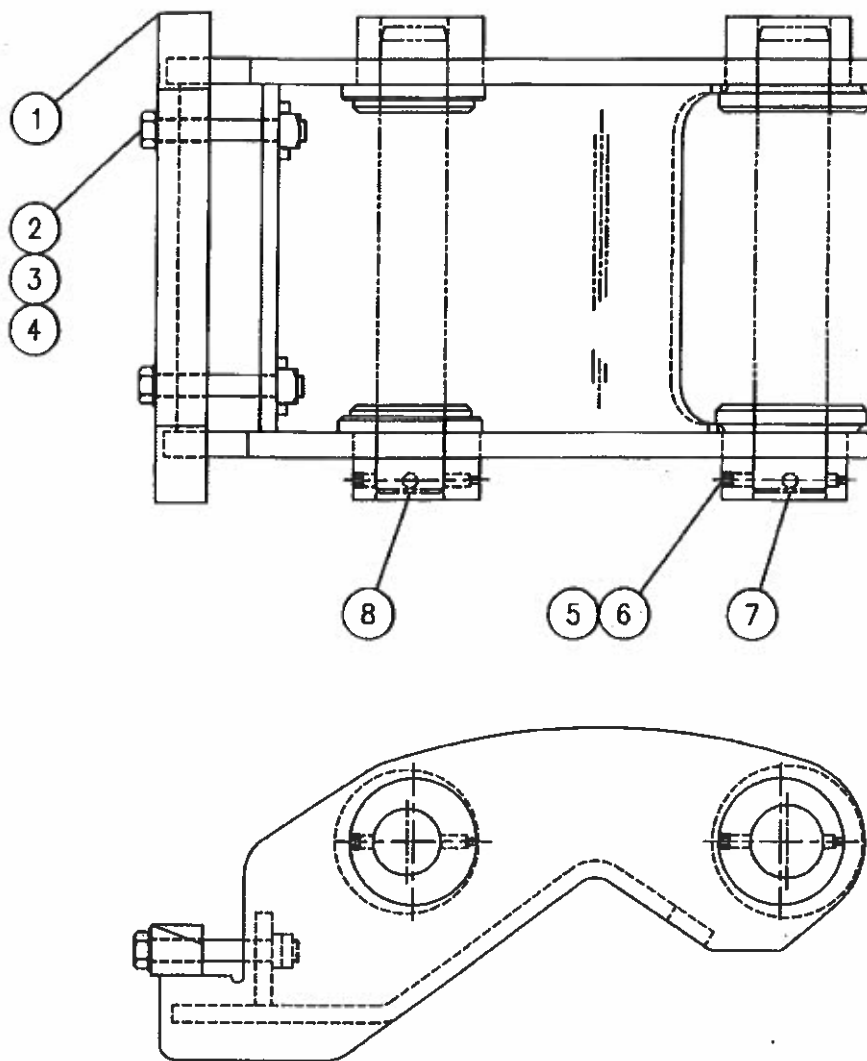
JOB DESCRIPTION

*Service engine oil + filter
Change air filter*

ENTERED
EC

PARTS USED

<i>1- AF25454</i>	
<i>1- LF691A</i>	
<i>38 L 15W40</i>	



ITEM	PART NUMBER	DESCRIPTION	QTY
1	230-7809	Wedge Bar	1
2	7X-0436	Bolt	2
3	231-5840	Nut	2
4	4K-0684	Flat Washer	2
5	274-5049	Dowel Pin	2
6	246-1447	Set Screw	2
7	267-8871	Pin	1
8	267-8534	Pin	1
QUICK COUPLER			

273-9908

Previous Screen

Welcome: dcdagunter

< Product: EXCAVATOR
 Model: 345C EXCAVATOR PJW02380
 Configuration: 345C L Hydraulic Excavator PJW00001-UP (MACHINE)
 POWERED BY C13 Engine

Operation and Maintenance Manual

345C Excavator

Media Number -SEBU7861-04

Publication Date -01/01/2008

Date Updated -15/01/2008

104016355

Capacities (Refill)

SMCS - 1000; 7000

Table 1

Approximate Refill Capacities				Recommended Type
Component or System	Liters	US gal	Imp gal	
Fuel Tank	710	188	156	No. 1 Diesel Fuel or No. 2 Diesel Fuel
Cooling System	35.5	9.4	7.8	Caterpillar Extended Life Coolant (ELC)
Engine Crankcase with Filter	42	11	9	Refer to Operation and Maintenance Manual, "Lubricant Viscosities".
Hydraulic System ⁽¹⁾	262	69	58	
Each Swing Drive	10	2.6	2.2	
Each Final Drive	15	4	3.3	
Swing Gear	35	9.2	7.7	Multipurpose Lithium Grease NLGI Grade 2

⁽¹⁾ The amount of hydraulic fluid that is needed to refill the hydraulic system after performing Operation and Maintenance Manual, "Hydraulic System Oil - Change"

Feb 2016

9090 hrs

chg Engine oil + Filter

chg outer Air Filter

chg Swing Gear oil

chg Final Drive oils

chg Left controller - Horn button

replace right mirror

replace Front Left Carrier roller

replace rear right Carrier roller

repair Engine oil leak

repair Plates for undercarriage covers

Adjust valve on Hyd Bypass. - Cloverhill Mech.

Shim Bucket pin

July 13 / 2016

9496 hrs

- Change engine oil 41 l 15W40
- change engine oil filter
- change fuel filter
- change fuel water separator
- check air filter (clean)

* Fuel water separator light stays on

FIELD WORKSHEET

DATE <i>November 17/2016</i>	UNIT # <i>9</i>
HOURS	NAME <i>David Geenter</i>

JOB DESCRIPTION <i>Trouble shoot slow fuel leaks found line from cooler to fuel tanks leaking</i>

PARTS USED	
<i>1 20 foot line from Erics</i>	
<i>1- fuel line 304-0028</i>	
<i>1- 10 foot line from Erics</i>	

FIELD WORKSHEET

DATE <i>July 1/2017</i>	UNIT # <i>9</i>
HOURS <i>10200</i>	NAME <i>David Guenter</i>

JOB DESCRIPTION *Service engine o.i + filter*
change Both fuel filters
clean air filter

PARTS USED	
<i>1- 57792</i>	<i>3466</i>
<i>1- 33751</i>	<i>4760</i>
<i>1- 33685</i>	<i>6046</i>
<i>10 l 15W40</i>	

FIELD WORKSHEET

DATE <i>Aug 12/17</i>	UNIT # <i>9</i>
HOURS <i>10467</i>	NAME <i>David Cuenter</i>

JOB DESCRIPTION *Replace fuel transfer pump
Service engine oil and filter,
clean air filter*

Service entered

PARTS USED	
<i>1- 57792</i>	
<i>38-l 15W40</i>	
<i>1- pump</i>	<i>20R-1525 315-26 XX</i>

FIELD WORKSHEET

DATE	UNIT # 9
HOURS	NAME

JOB DESCRIPTION *Repair no start complaint
Replace fuel pressure regulator*

PARTS USED	
<i>1- 281-2725</i>	<i>49.94</i>
<i>Pressur Reg</i>	
<i>1- 6V-6923</i>	<i>2.19</i>
<i>Backup ring</i>	
<i>1- 033-6033</i>	<i>6.43</i>
<i>O-ring</i>	

FIELD WORKSHEET

DATE <i>Sept 28/2017</i>	UNIT # <i>9</i>
HOURS	NAME <i>David Guenter</i>

JOB DESCRIPTION
install new heater core

PARTS USED	
<i>1 - Heater Core</i>	<i>245-7833 597 08</i>
<i>Tax</i>	<i>29 85</i>
<i>Tax</i>	<i>35 82</i>

FIELD WORKSHEET

DATE <i>August 29/2017</i>	UNIT # <i>9</i>
HOURS <i>10.525</i>	NAME <i>David Guenter</i>

JOB DESCRIPTION *Change hyd line to
cylinder end of bucket cylinder
Check Heater and Evap Core
Change bucket teeth*

PARTS USED	
<i>1 - Hyd line</i> <i>161-1836</i>	<i>60.⁰⁰</i>
<i>2 - O-rings</i> <i>1P-3704</i>	<i>4.13</i>
<i>1 - O-ring</i> <i>1P-3703</i>	<i>3.60</i>
<i>Core checks</i> <i>6660</i>	
<i>5 -</i> <i>470-7986</i>	<i>340.30</i>
<i>Tax</i>	<i>127.²⁷</i>

FIELD WORKSHEET

DATE <u>Dec 15/16</u>	UNIT # <u>9</u>
HOURS <u>9960</u>	NAME <u>Doug, Dave</u>

JOB DESCRIPTION Do a valve set, install and torque new valve cover gasket, install and torque new oil pan gasket, install and torque new front ~~timing~~ gear housing gasket, install new o-ring on fuel transfer pump, re-seal flywheel housing, install front accessories

PARTS USED	
1) 274-6851 - Gasket	3) cell 16-16 (Foam striping)
1) 7C-1583 - Gasket	1-233-1262 Air intake Hose
1) 6303LLUC 3/2A (x4) Bearing	1-230-2854 Hyd Section / Lower Red hose
1) 5D9344 seal 24.77	230-2782 1-Red Lower Red Hose
1) 2892492 - Clamp Muffler	1-236-3034 Red hose engine to
1) 0619455 seal	1-433-3956 Air intake Pipe
1) 163 ⁹⁶³¹ 9361 - oil cap	1-5H-8624 - O-ring
4) 1P-3704 O-ring	2-1P-3704 o-ring

FIELD WORKSHEET

DATE Dec 7/16	UNIT # 9
HOURS 9960	NAME Doug

JOB DESCRIPTION repair heater Assembly, replace heater hoses, repair Fire Ext. Replace rubber seal on Travel pedals, replace 2 rollers on Front Window - remove rads, remove Hyd. pump, remove Planetary drives, remove Engine. remove Seat for re cover.

PARTS USED

20" heater hose	1 Gasket	754295 ✓
2 Bellows #1474131	1 studs (12)	1163715
2 carb Filters #4333 ✓ #293-1183 ✓	1 Locknuts (12)	3E8017
2 Window rollers #1519576	1 Washers (12)	6V5839
1 Gasket (x6) #283223	1 Gasket	1978418
1 Oring #6V3909	1 Gasket	1978419
1 Seal 226-4755	1 Oring	1075769
1 Seal 226-4757	1 Oring	1178801
1 Oring 6V3908	1 Seal	5P4889
1 Oring 2256948	1 Gasket	2295711
1 Oring 1178801	1 Gasket	2295711
1 Oring 756285	1 Gasket	2173673

FIELD WORKSHEET

DATE <i>Feb 17</i>	UNIT # <i>9</i>
HOURS <i>9960</i>	NAME <i>Doug</i>

JOB DESCRIPTION *Install Engine, Radiators, Hydpump Drive motors. replace Hyd hoses.*

PARTS USED	
4) IP-3704 (Oring)	1) 1P 3704 - oring
1) 77038 - Hyd hose ✓	1) 1P-3703 - oring ✓
3) Pails To 4 30W oil ✓	1) 5K 5K-9090 seal ✓
1) Outer Air ⁴⁶⁹²² Filter.	2) 2M-9780 oring ✓
5 Hyd Lines from Erick ✓	2) 6V-7238 TAPS ✓
1) 161-1838 Hose ✓	1) 5K-9090 - fit ✓
1) 161-1837 Hose ✓	1) 179-9806 - Element ✓
1) 161-1837 Hose ✓	1) 95-1735 - oring ✓
1) 161-1836 Hose ✓	1) 126-1813 Filter ✓
1) 161-1836 Hose ✓	
1) IP-3705 oring	

FIELD WORKSHEET

DATE Feb/17	UNIT # 9
HOURS 9960	NAME Doung

JOB DESCRIPTION Split tracks to replace sprockets
~~re~~ charge A/C unit. replace Grease inserts on
 Track Tensioner

PARTS USED	
2) 124-3296 Sprockets	
24) - 8T-0380 Bolts	
2) 166-1497 - Lip Seals	
2) 357-7540 Grease Valves	
2 - Bushing	228-5621 450 81
2 - Dust seals	9X-4598 36 77
1 - Pin	235-7636 2427 86
2 - O-rings	367-8470 37 75



Field Worksheet / Hazard Assessment

Date: <i>March 7/2018</i>	Unit # <i>9</i>
Hours <i>10 9.36</i>	Name <i>Doug + Dave</i>

Job Description

Parts Used			
<i>1P-7304</i>		<i>Hydraulic O.1</i>	
<i>2-O-rings</i>	<i>4.04</i>	<i>30 l TO-4-10</i>	
<i>1P-7305</i>		<i>Final drive + Swing</i>	
<i>2-O-rings</i>	<i>4.60</i>	<i>50 l TO-4-30</i>	
<i>2-Reusable fittings</i>	<i>60⁰⁰</i>	<i>161-1837</i>	
<i>5U-0297</i>		<i>1-Hydr line</i>	<i>216⁹⁶</i>
<i>3-Becket Shims</i>	<i>41.11</i>	<i>161-1837</i>	
<i>08192-12100</i>		<i>1-Hydr line</i>	<i>257⁶⁴</i>
<i>2-Horn connectors</i>	<i>11.56</i>	<i>1P-7304</i>	
<i>08191-05330</i>		<i>4-O-rings</i>	<i>4.04</i>
<i>4-connector pins</i>	<i>5.72</i>	<i>fitting Sure Charge</i>	<i>120⁰⁰</i>
<i>08192-12300</i>		<i>5212 PTE</i>	
<i>2-connector wedges</i>	<i>.72</i>	<i>1-Replace cable end</i>	<i>12⁰⁸</i>
<i>179-9806</i>		<i>15-7251</i>	
<i>1-Hydr filter</i>	<i>108¹⁷</i>	<i>1-Terminal</i>	<i>4⁸³</i>
<i>170-6929</i>		<i>1-Terminal</i>	<i>35-6049</i>
<i>2 cross over cables</i>	<i>300⁰⁰</i>	<i>159-8049</i>	<i>15.02</i>
		<i>1-cable</i>	<i>44.00</i>



Field Worksheet / Hazard Assessment

Date: FEB 28/18	Unit # 9
Hours 10,936	Name Doug

Job Description chg Engine oil + filter, chg fuel filters, chg Air filters, chg oil in swing motors, sample + change oil on final drives, clean cab filters, remove H-link for repair, clean cab, chg hyd filters x5, chg leaking hoses
 Replace both horns, install new bushings and seals in H-link, install new H-link pin and shims
 Change both main hyd line from pump to valve
 Repair battery cable from battery positive to starter
 Replace both battery connector cables
 Replace battery positive cable to disconnect

Parts Used	
1-57792 Engine Oil - Filter	126-2081 1- Filter 80.29
1-33751 - Filter Fuel	74-9096 3- SCREWS 2.75
1-33685 - Filter Fuel	74-2397 2- Bushings 284.23
1-46770 - Filter	52-8670 1- Filter 50.32
1-46771 - Air	126-1813 1- filter 80.44
2- Horns 52082EA 5585	093-7521 1- filter 48.21
8- Seals 9X-4597 66.51	717-105-0494 1- Pin 1089.99
3- Bushings 087-5548 335.84	161-1837 1- Hyd line 280.24
1- filter 093-7521 48.21	206-2726 1- Hose guard 106.40
1- Hyd line 161-1838	
2- Battery cable 54.10 291.10 / 27	



Field Worksheet / Hazard Assessment

Date: July 26/2018	Unit # 9
Hours 1/100	Name Colby + Dave

Job Description
Service engine oil + filter
checks air filter
change fuel filter

Parts Used	
1- 57792	
1- 33251	
38 L 15W40	



Field Worksheet / Hazard Assessment

Date: <i>Sept 3/2018</i>	Unit # <i>9</i>
Hours <i>235</i>	Name <i>David Genter</i>

Job Description
*Replace Reel lift pump
Flip cutting edge on Bucket*

ENTERED

Parts Used		
<i>12 Bolts</i>	<i>8T-9079</i> <i>18.00</i>	<i>} Returned</i>
<i>12 Nuts</i>	<i>315-9770</i> <i>9.50</i>	
<i>1 lift pump</i>	<i>384-8612</i> <i>542.18</i>	



Field Worksheet / Hazard Assessment

Date: <i>Sept 15/2018</i>	Unit # <i>9</i>
Hours <i>250</i>	Name

Job Description
*Service engine oil and filter
Change fuel filters
Clean air filter
Clean cab filter*

ENTERED
DL

Parts Used	
<i>1 57792</i>	
<i>1- 33751</i>	
<i>1- 33685</i>	
<i>38 l 15W40</i>	



Field Worksheet / Hazard Assessment

Date: Feb 20 / 2019	Unit # 9
Hours 620	Name Doug-

Job Description chg Engine oil + filter, chg fuel filters, check air filters, clean cab filters, chg oil in final drives, chg oil in swing gear. clean + charge batteries. Repair Leak on fuel Transfer pump, Repair Leak on hyd pump. Add Grease to center gear. Clean Cab

ENTERED
12

Parts Used	
LF 691A Engine oil filter	150-4741 4- Bolts 6.72
36L 15W40	301-2299 4- Nuts 2.96
FF 5317	236-6919 1- Seal 34.82
FS 20051	
Hyd filter 2- 093-7521 64.55	
Hyd filter 1- 179-9806 118.73	
Hyd filter 2- 126-1813 88.30	
50L Power Trans 30W T04	



Field Worksheet / Hazard Assessment

Date: <i>March 8/2019</i>	Unit # <i>9</i>
Hours	Name

Job Description
*Rebuild bucket, weld on new sharks
Replace teeth
install wear plates on bottom of bucket
install wear strip on side of bucket*

ENTERED
MA

Parts Used	
<i>518-5186</i>	
<i>1 - Seal 1s.1 235.45</i>	
<i>8E0468ITR</i>	
<i>5 - Pin</i>	
<i>8E8469ITR</i>	
<i>5 - Retainers</i>	
<i>F25CB</i>	
<i>6 - Chocky Bars 28.87</i>	



Field Worksheet / Hazard Assessment

Date: March 2/20	Unit # 9
Hours 1733	Name Doug

Job Description chg Engine oil + Filter, chg Fuel filters, chg hyd filters, chg swing gear oil. chg oil on final drives.
 Remove bucket cyl for repair, Replace track Idler right side, chg Leaking hyd hoses, repair grease lines.
 Repair Bucket cyl Rod (Nother incl plating)
 Clean air filter
 clean cab
 service batteries
 Grease machine
 Repair bucket cyl grease line

ENTERED

Parts Used	
115-6366 1 - idler	1400 ⁰⁰
253-2740 1 - Track Pin	66 ¹⁵
FF5317 FS20051	2 Fuel Filters
179-9806 2 - Hyd Filter	131 ⁹⁵
R HF35018	
1 126 1813	97 ⁸⁹
357-7540 1 - Track valve	40 ⁹⁵
301-2299 4 Bolts	6 ⁶⁸
150-4742 4 Nuts	20 ⁵
42L 15440 - Engine oil	
20L to 4-30W - Swing gear	
142-1403 1 - inner filter	83 ²⁹
230-2970 1 - Rod cup	35 ⁰⁰
5 - Hoses	1341 ⁰⁰
123-2112 1 - Nut - Bucket cyl	271 ⁹⁵
209-7309 1 - Plug - dip stick	14 ⁸³
30L to 4-30W final drives	

1 R 3764
 4 - Digging
 2145
 1 - Repair Rod 885⁴⁶
 1 - LF691A - 1 - FS20051 - 1 - FF5317



Field Worksheet / Hazard Assessment

Date: APRIL 5/21	Unit # 9
Hours 2290	Name Doug

Job Description chg Final drives oil, Chg Swing gear oil
chg fuel filters, chg Engine oil + filter, chg oil Lines
from Engine To Engine oil filter.
Repair rust on door

ENTERED
m

Parts Used	
FF 5317	
FS 20051	
50L T04 30W oil	
40L 15W40 oil	



Field Worksheet

Date: February 7/2025	Unit # 9
Hours 3051	Name Dave & Colby

Job Description
 Change pilot filter, change case drain filter
 change fuel filters, change in tons hydraulic
 filters, clean cab, Remove Decals and Radio
 Change idlers, change carrier rollers, change Tracks
 Chain and hardware, Service Batteries
 Clean cab, Grease machine, wash machine



Parts Used	
1- Pilot Filter 126-1813 91.92	2 Tracks Parts 91296170W 5015.00
2 Hydraulic Filters 179-9806 142.73	416 Bolts 43280340W 2.95
2 Case Drain Filters 51-8670 69.26	416 Nuts 43280350W 1.50
1 Fuel Filter 1A-0755 82.93	
1 Fuel Filter 225-4152 61.18	
1 Plug FF2138-3 .63	
4- Carrier Roller 300-4610 505.01	
2 Idler 264-9821 2016.52	