

Y23-1  
JUN

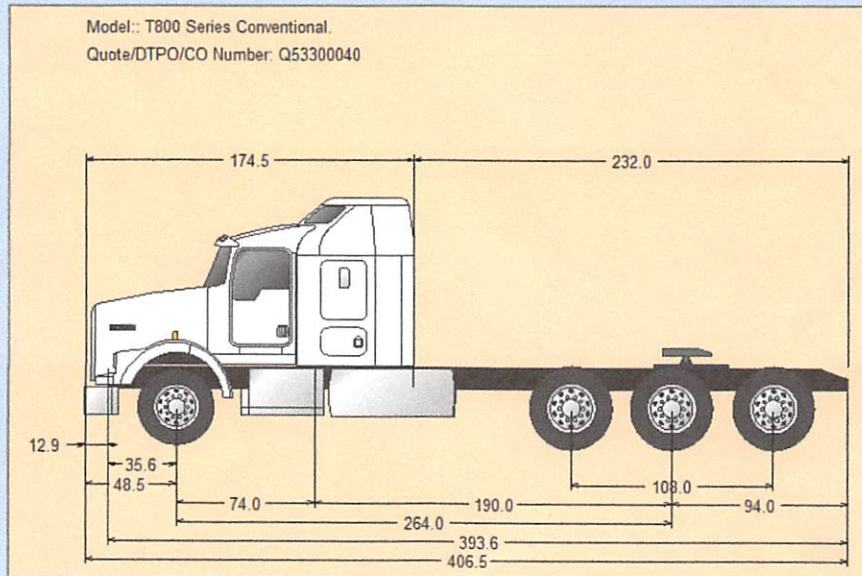
GreatWest Kenworth S001 S001

264 AFC T800 62 TRI

, Canada  
Phone:  
Fax:  
Email:

,  
Phone:  
Fax:  
Contact Email:  
Prepared for:

### Horizontal Dimensions



Unpublished options may require review/approval.  
Dimensional and performance data for unpublished options may vary from that displayed in PROSPECTOR.

Printed:  
Effective Date:  
Prepared by:

8/26/2014 9:00:09 AM  
Jan 1, 2014  
ID: GeorgeD

**Incomplete**

Model Number:  
Quote/DTPO/CO:  
Version Number:

T800 Series Conventional.  
Q53300040  
33.30



GreatWest Kenworth S001 S001

264 AFC T800 62 TRI

Canada

Phone:

Fax:

Email:

Phone:

Fax:

Contact Email:

Prepared for:

### Vehicle Summary

	Unit		Chassis	
Model:	T800 Series Conventional.	Fr Axle Load (lbs):		16000
Type:	TRACTOR	Rr Axle Load (lbs)		61000
Description:		G.C.W. (lbs):		110000
	<b>Application</b>	Road Conditions:		
Intended Serv.:	Linehaul. Vehicles (trucks or tractors) used in	Class A (Highway)		85
Commodity:	Liquid petroleum products	Class B (Hwy/Mtn)		10
	<b>Body</b>	Class C (Off-Hwy)		05
Type:		Class D (Off-Road)		00
Length (ft):	0.0	Maximum Grade:		6
Height (ft):	0.0	Wheelbase (in):		264
Max Laden Weight (lbs):	0	Fr Axle to BOC (in):		74
		Cab to Axle (in):		190
		Cab to EOF (in):		284
	<b>Trailer</b>			
No. of Trailer Axles:	3			
Type:	Tank			
Length (ft):	53.0			
Height (ft):	14.0	<b>Special Req.</b>		
Kingpin Inset (in):	40	Canadian Registry		
Corner Radius (in):	6			
	<b>Restrictions</b>			
Length (ft):	120			
Width (in):	102			
Height (ft):	15.0			

Approved by: \_\_\_\_\_

Date: \_\_\_\_\_

**Note: All sales are F.O.B. designated plant of manufacture.**

<b>PACCAR FINANCIAL</b>	Ask your dealer for a quote today, or visit our website @ <a href="http://www.paccarfinancial.com">www.paccarfinancial.com</a> .
	PACCAR Financial offers innovative finance and lease programs customized to meet your needs.

Unpublished options may require review/approval.  
Dimensional and performance data for unpublished options may vary from that displayed in PROSPECTOR.

Printed:	8/26/2014 9:00:33 AM	<b>Incomplete</b>	Model Number:	T800 Series Conventional.
Effective Date:	Jan 1, 2014		Quote/DTPO/CO:	Q53300040
Prepared by:	ID: GeorgeD		Version Number:	33.30



GreatWest Kenworth S001 S001

264 AFC T800 62 TRI

Canada  
Phone:  
Fax:  
Email:

Phone:  
Fax:  
Contact Email:  
Prepared for:

Data	Code	Description	\$ List	Weight
<b>Model</b>				
000800	O	<b>T800 Series Conventional.</b> Elastomer bushed front spring pins & heavy-duty shock absorber brackets, 16mm. fasteners from rear cab support to end-of-frame, except tractor taper crossmember. Vinyl inside sunvisors, driver side includes strap & mirror, rider side includes strap; Under-dash center console w/ 2 cup holders, 2-12V outlets & a storage compartment, Glove box door with locking latch.	144,042	15,375
0070066	O	<b>T800: Sloped Hood.</b>	0	0
0072002	O	<b>Chassis operation will include</b> stationary application used in Canada or Alaska. Stationary operation is defined as running the engine under load while stationary at a substantial fraction of engine gross horsepower (60% or greater) for an extended period of time (longer than 5 - 10 minutes).	0	0
0080075	O	<b>Dealer/Customer declines engine w/CARB Idle</b> Emissions Reduction Feature.	0	0
0090036	O	<b>62 in. AeroCab Sleeper &amp; Tridem Rear Axle.</b>	0	0
0091070	O	<b>Liquid petroleum products</b>	0	0
0093000	O	<b>Linehaul. Vehicles (trucks or tractors) used in</b> over-the-road freight hauling. Pickup to delivery distance is typically over 300 miles, & annual mileage is typically over 60,000 miles per year. Operation is typically on-highway. Road usage: minimum 1% Class B, do not code for Class D.	0	0
0096070	O	<b>Tank</b>	0	0
0098050	O	<b>Canadian Registry</b>	0	0

**Engine & Equipment**

0123725	O	<b>ISX15 525 2013 525@2000 1850@1200</b> w/Intebrate, Diagnostic Plug for data link, Oil Cooler, Aluminum Flywheel Housing. Linehaul Family 3 N09020 P02 YES..Cruise Control Auto Resume N09040 P04 YES..Auto Engine Brake in Cruise N09060 P06 NO...Gear Down Protection N09100 P11 NO...Engine Protection Shutdown N09120 P14 80...Maximum Accelerator Pedal Vehicle Speed N09140 P19 80...Maximum Cruise Speed N09160 P26 1400.Max PTO Speed N09200 P32 8....Timer Setting N09220 P33 NO...Idle Shutdown Manual Overrule	5,192	275
---------	---	---	-------	-----

Unpublished options may require review/approval.  
Dimensional and performance data for unpublished options may vary from that displayed in PROSPECTOR.

Printed:	8/26/2014 9:00:33 AM	<b>Incomplete</b>	Model Number:	T800 Series Conventional.
Effective Date:	Jan 1, 2014		Quote/DTPO/CO:	Q53300040
Prepared by:	ID: GeorgeD		Version Number:	33.30



Data	Code	Description	\$ List	Weight
1000153	O	<b>Prospector version 34.0 Supersedes previous version 33.0</b>	0	0
1002060	O	<b>Air compressor: Cummins 18.7 CFM, Cummins, PACCAR PX engines.</b>	0	0
1042236	O	<b>Air Cleaner: Dual 13 in. ERA stainless steel cowl mounted w/Kenworth bug w/Preferred Fit Element.</b>	1,306	28
1105220	O	<b>Fan Hub: Horton 2-Speed for ISX15</b>	302	0
1125640	S	<b>Cooling module: T8SH/T8B/W9S 1440 square inches.</b> On-off fan hub, nylon fan blade, translucent top tank, air-to-air heat exchanger/aftercooler, silicone hoses w/constant torque clamps, long life coolant. Drain valve is not available w/Allison transmissions.	0	0
1160105	O	<b>Radiator winterfront.</b>	88	2
1160208	O	<b>Radiator bug screen mounted between hood &amp; grille.</b>	112	2
1247170	O	<b>RH under cab SCR w/ dual side mounted tailpipes.</b> For use w/ AeroCab sleepers only (modular sleepers use side of cab codes). T660 requires split fender hood.	673	101
1290448	O	<b>Tailpipe: 7 in. dual 48 in. 45 degree curved.</b>	431	17
1292329	O	<b>Exhaust shield: dual w/Kenworth name cutout</b> Full length perforated stainless steel. For side mounted exhaust AeroCab only.	208	13
1328140	O	<b>PACCAR Fuel filter/water separator: 12V preheat, WIF sensor Cummins ISX12/ISX15. 2013+</b>	19	2
1504005	O	<b>Immersion block heater 120V 1500W w/plug under door on T700, C500, T660, T800 &amp; W900.</b>	79	2
1506055	O	<b>Engine oil pan heater 120V 300W w/plug under door on C500, T660, T700, T800 &amp; W900.</b>	127	2
1816200	O	<b>Alternator: Bosch 200 amp, brush type</b>	133	0
1821215	O	<b>Batteries: 4 PACCAR GP31 threaded post (700) 2800 CCA dual purpose.</b>	168	61
1836100	S	<b>Starter: PACCAR 12 volt electrical system. W/ centralized power distribution incorporating plug-in style relays. Circuit protection for serviceability, 12-volt light system w/circuit protection circuits number &amp; color coded.</b>	0	0
1900082	O	<b>Multi-function engine connector for body builder interface for Cummins. T680/T880: This feature is standard, no code required.</b>	54	0
1900996	O	<b>Jump start terminals under hood.</b>	203	12

#### Transmission & Clutch

2058744	O	<b>Transmission: Fuller RTLO18918B 18-speed w/oil cooler &amp; pump. Standard with synthetic lubricant. Includes severe-duty pilot bearing on all class 8 models.</b>	2,647	121
---------	---	---	-------	-----

Unpublished options may require review/approval.  
Dimensional and performance data for unpublished options may vary from that displayed in PROSPECTOR.

Printed:	8/26/2014 9:00:33 AM	<b>Incomplete</b>	Model Number:	T800 Series Conventional.
Effective Date:	Jan 1, 2014		Quote/DTPO/CO:	Q53300040
Prepared by:	ID: GeorgeD		Version Number:	33.30

Data	Code	Description	\$ List	Weight
2250620	O	<b>Clutch: Eaton 6 paddle ceramic 2050 lb-ft</b> Eaton 15-1/2 in. Easy Pedal Advantage Manual adjusting clutch cover. Torque limiting clutch brake. Severe duty pilot bearing. Synthetic lubrication for Eaton Fuller transmissions & axles. Extended grease fitting.	367	10
2294035	O	<b>Grease bank for clutch &amp; cross shaft.</b>	330	11
2406453	O	<b>Driveline: 2 SPL250XL 1 centerbearing</b> requires 3500057 interaxle driveline. Low maintenance offering from Spicer. On-highway 350K mi first service interval, 100K mi subsequent service interval on U-joint, splines lubed for life for life, quick disconnect end caps.	972	95
2429100	O	<b>Chassis will be fitted w/LH transmission PTO.</b> (PREVENTS ECU F/INTERFERING W/PTO ONLY)	0	0
2460042	O	<b>14 in. Eaton Fuller high capacity oil to water</b> cooler standard for transmission 1550-2250 lb-ft, 18-speed AutoShift.	0	0
2480315	O	<b>Severe Service rear transmission support</b> spring(s).	75	15

### Front Axle & Equipment

2506181	O	<b>Dana Spicer D2000 Front Axle rated 20K</b> standard track.	2,184	150
2601608	O	<b>Front Brakes, Bendix RSD-Compliant HP-ES S-Cam</b> 16.5x6 in. drum brake , Max GAWR 18k, with Cast Spider.	164	-38
2659047	O	<b>Front dustshield: for drum brakes:</b> all front axles.	67	6
2690035	O	<b>Front Brake Drum: 22,000 lbs. 16-1/2x6 in. Cast.</b>	-191	103
2701319	O	<b>Front Hubs Aluminum hub pilot 20,000 lbs.</b> 16.5x6in. or 7in. or air disc brakes. 10 Bolt, 11-1/4 in. bolt circle.	521	16
2741970	O	<b>ConMet PreSet Plus Hub package; front axle.</b>	0	0
2750001	S	<b>Hubcap: front vented.</b>	0	0
2765001	S	<b>Front Auto Slack Adjuster.</b>	0	0
2864016	O	<b>Front Springs: Taperleaf 16K w/shock absorbers</b> w/ maintenance-free elastomer spring pin bushings. Standard with rubber pins except for C500 which has threaded pins. Not available on W900L.	647	121
2893881	O	<b>Single power steering gear: 16K TRW TAS85</b> W9B available, but not available W9S, W9L or T3.	337	19
2899335	O	<b>Power Steering Pump: TRW high flow w/ oil cooler,</b> pump is 20 liter/min. Recommend when operating washboard gravel roads for improved steering feel.	442	8
2900616	O	<b>Threaded Bushings for taperleaf spring</b> 16K, 18/20K, 22K, 40K replacing rubber.	105	0

### Rear Axle & Equipment

Unpublished options may require review/approval.  
Dimensional and performance data for unpublished options may vary from that displayed in PROSPECTOR.

Printed:	8/26/2014 9:00:33 AM	<b>Incomplete</b>	Model Number:	T800 Series Conventional.
Effective Date:	Jan 1, 2014		Quote/DTPO/CO:	Q53300040
Prepared by:	ID: GeorgeD		Version Number:	33.30



Data	Code	Description	\$ List	Weight
3151566	O	<b>Tridem Dana Spicer T69-170HP rear axle.</b> Capacity varies. Wide track.	19,216	2,974
3200410	O	<b>Rear Axle Ratio - 4.10.</b>	0	0
3304014	O	<b>Rear Brakes, Bendix RSD-Compliant HP-ES S-Cam</b> 16.5x7 in. tridem axle drum brake, Max GAWR 69k.	793	0
3393000	O	<b>Tridem Rear Brake Drums: Cast.</b>	0	0
3407090	O	<b>Tridem Rear Hubs: Aluminum hub pilot 69K</b> 11-1/4 in. bolt circle.	0	0
3441973	O	<b>ConMet PreSet Plus Hub package; tridem rear axle</b>	49	0
3465003	O	<b>Tridem Rear axle automatic slack adjusters.</b>	0	0
3490047	O	<b>Dustshields for drum brakes: all rear axles.</b>	83	11
3495227	O	<b>Bendix 6S/6M anti-lock brake system.</b> Current generation ECU is Bendix ABS 6.	716	5
3500060	O	<b>Interaxle driveline 2 SPL170XL only</b> available w/tridem axles.	181	-8
3532196	O	<b>Wheel Differential Lock for Dana Spicer Axles</b> T69-170HP forward rear, center rear axle & rear rear axle.	3,217	167
3573112	O	<b>Flip valve, wiring and light separate for wheel</b> differential lock or driver controlled differential lock for forward rear, center rear & rear rear axles.	185	0
3760030	O	<b>Rear suspension: Tridem Neway ADZ369 69K.</b> 54 in. axle spacing. Air suspension w/10 in. ride height w/ dual leveling valves. Includes air suspension dump valve & cast brake spiders.	12,559	697
3839002	O	<b>Air suspension over-inflation valve w/warning</b> light to temporarily raise the frame.	271	0

#### Tires & Wheels

4277491	O	<b>Rear tires: Bridgestone M799 11R24.5 16PR.</b> 44 in. diameter, all position. 20.5 in. SLR. Code is priced per pair of tires.	2,256	300
4900012	O	<b>Rear Tire Quantity: 12</b>	0	0
5045216	O	<b>Front wheel: Alcoa 82362 22.5x12.25 aluminum,</b> with Lvl One [TM] finish, hub pilot mount. 11400lb. maximum rating. Super single. Standard track axles may be over 102 in. w/425 tires. Air disc brake compatible.	701	-10
5859007	O	<b>Tridem rear axle wheels: 6 Dura-Bright Buffed.</b> Dura-Bright outboard surface of outer dual or single aluminum wheels.	1,097	0
5859010	O	<b>Single front axle: 2 wheels Dura-Bright Buffed.</b> Dura-Bright outboard surface of aluminum wheels.	305	0
5900012	O	<b>Rear Wheel/Rim Quantity: 12</b>	0	0

#### Frame & Equipment

Unpublished options may require review/approval.  
Dimensional and performance data for unpublished options may vary from that displayed in PROSPECTOR.

Printed:	8/26/2014 9:00:33 AM	<b>Incomplete</b>	Model Number:	T800 Series Conventional.
Effective Date:	Jan 1, 2014		Quote/DTPO/CO:	Q53300040
Prepared by:	ID: GeorgeD		Version Number:	33.30

Data	Code	Description	\$ List	Weight
6056600	O	<b>Frame Rails: 10-3/4 x 3-1/2 x 3/8in. Steel 337in.</b> to 416 in. Truck frame weight is 3.48 lb.-in. per pair of rails. Section modulus is 17.80, RBM is 2,132,000 in-lbs per rail. Frame rail availability may be restricted based upon application, axle/suspension capacity, fifth wheel setting, or component/dimensional specifications. The results of the engineering review may result in a change to the requested frame rail. If a change is required Kenworth Application Engineering will advise the dealer of the appropriate material specification for a substitute rail.	735	623
6141600	O	<b>Full Steel Insert: for 10-5/8 in. or 10-3/4 in.</b> Steel 337 in. to 416 in. or 2nd insert for 11-5/8 in. steel frame. Adds 1,149,000 in-lb to main rail RBM. Truck insert weight is 2.05 lb.-in. per pair of rails. Full frame insert length is equal to wheelbase plus rear frame cutoff plus dimension forward of front axle by model: T700, T660 and T800 = 21.26 in., C500B = bumper setting minus 0.79 in., W900B = 5.27 in., W900L = 1.50 in., W900S = 3.27 in., T440/T470 50 in. bumper setting = 21.26 in., T470 73 in. bumper setting = 72.3 in.	1,789	777
6302461	O	<b>Bumper: Tapered chrome steel channel. Requires a bumper setting code.</b>	205	63
6319485	O	<b>48.5 in. Bumper setting. Requires a bumper code.</b>	0	0
6324025	O	<b>Front tow hook: Center mounted, cast.</b> Requires iron front drive brackets.	219	28
6390001	O	<b>Steel shackle links.</b>	7	8
6390110	O	<b>Mudflaps, Front: Extra wide for use w/ tires that are wide base singles.</b>	57	6
6405080	O	<b>T8 parallel non-polished aluminum battery box</b> module w/ integral step. Extended length for use w/ 2010 SCR style exhaust. Up to 2 air tanks may mount to bottom of box. Batteries will be oriented perpendicular on rail. N6400 NO AIR TANKS ON BATT BOX	65	72
6409901	O	<b>Battery box location: LH Side.</b>	0	0
6410010	O	<b>Frame access grabhandle(s) LH mounted. Placement and quantity of grabhandles may vary due to FMCSR frame access requirements.</b>	51	0
6410011	O	<b>Frame access grabhandle(s) RH mounted. Placement and quantity of grabhandles may vary due to FMCSR frame access requirements.</b>	51	0
6414003	O	<b>Medium aluminum frame access deck plate, 36 in.</b>	187	15
6417007	O	<b>Frame access steps: 2 ladder-type, RH mount.</b> Available when rear of tank extends less than 24 in. behind rear of cab, sleeper, or side extender.	146	15
6418006	O	<b>Frame access steps: 2 ladder-type, LH mount.</b> Available when rear of tank extends less than 24 in. behind rear of cab, sleeper, or side extender.	146	15
6451090	O	<b>T470,C500,T660,T800 non-polished DPF/SCR cover:</b> diamond plate w/step for use w/2010 style exhaust. For T800- use extended length non-polished battery box on opposite rail to match the length of under cab components.	105	30

Unpublished options may require review/approval.  
Dimensional and performance data for unpublished options may vary from that displayed in PROSPECTOR.

Printed:	8/26/2014 9:00:33 AM	<b>Incomplete</b>	Model Number:	T800 Series Conventional.
Effective Date:	Jan 1, 2014		Quote/DTPO/CO:	Q53300040
Prepared by:	ID: GeorgeD		Version Number:	33.30



Data	Code	Description	\$ List	Weight
6543711	O	<b>Fifth Wheel: Air, Holland FW35-8009T4L 32.0 in.</b> slide, 10.11 in. height. Outboard mounting angles, 55K vertical rating, LH release. Air slide control valve standard in dash. Accommodates a 2 in. SAE kingpin. Requires some style of trailer connections.	2,781	638
6679813	U	<b>2013 EPA Emissions Diesel Engine.</b>	0	0
6679824	O	<b>Width across front tires exceeds 102 inches.</b> Dealer to review delivery constraints w/transporter.	0	0
6679834	O	<b>Width across rear tires exceeds 102 in. due</b> to combination of wide track rear axles & dual tires. Dealer to review delivery constraints w/transporter.	0	0
6679914	O	<b>Any changes to rear cab/sleeper area must comply</b> w/FMCSR 399.	0	0
6690100	O	<b>FW rear/fix setting behind bogie 10 in</b> indicates rearmost setting measured rearward from centerline of tandem or single rear axle	0	0
6721102	S	<b>Rear mudflap arms: Betts B-25 standard-duty,</b> straight. Includes B1732 mounting brackets as standard.	0	0
6722000	S	<b>Rear mudflap shields: White plastic antisail w/</b> Kenworth logo.	0	0
6745270	O	<b>Top Flange of Rear Frame bent &amp; welded w/</b> crossmember. Non-towing end-of-frame configuration.	96	17

#### Fuel Tanks & Equip

7214100	O	<b>Fuel Tank: 100 US gallon 24.5in. aluminum BOC</b> replace. Class 8 fuel tanks w/ o locking caps include an anti-siphon device on the filler neck.	0	0
7216135	O	<b>Fuel Tank: 135 US gallon 24.5in. aluminum BOC</b> add. Class 8 fuel tanks w/ o locking caps include an anti-siphon device on the filler neck. Multiple tank installations include a fuel equalization system w/ dual draw and return lines with a splitter valve located within 6 inches behind the cab. Single draw and return is an option in some cases. A third tank support is required with this tank unless heavy-duty 7 in. wide supports are specified.	2,193	169
7722019	O	<b>Medium round DEF tank. 20.7 gallons</b> of useable volume. The DEF tank will be located on the side you specified, but will not be displayed in the Prospector graphic. If you have specific configuration or body builder concerns, please utilize the Custom Frame Layout option. Required capacity is calculated by fuel capacity of the vehicle and will accommodate two diesel re-fillings for every DEF re-filling.	180	32
7821300	O	<b>Heavy-duty 7in. steel supports/straps for two</b> 24.5in. tanks. Two supports per tank.	570	36
7840029	O	<b>Polish only two aluminum tanks.</b>	579	0
7840038	O	<b>Polished cover for 1 DEF tank any size.</b>	260	3
7889004	O	<b>Position fuel fill beyond rear of sleeper. May</b> have gap between under cab components & fuel tank(s) visible on chassis w/ o full chassis fairings.	0	0

Unpublished options may require review/approval.  
Dimensional and performance data for unpublished options may vary from that displayed in PROSPECTOR.

Printed:	8/26/2014 9:00:33 AM	<b>Incomplete</b>	Model Number:	T800 Series Conventional.
Effective Date:	Jan 1, 2014		Quote/DTPO/CO:	Q53300040
Prepared by:	ID: GeorgeD		Version Number:	33.30

Data	Code	Description	\$ List	Weight
7889082	O	<b>Polish only 7in. stainless steel straps for two 24.5in. tanks; 2 straps per tank.</b>	170	0
7889245	S	<b>Anti-siphon device swaged in place.</b> For any number of fuel tanks.	0	0
7889603	O	<b>DEF tank location is on the RH.</b>	0	0
7930100	O	<b>Location: 100 gal fuel tank RH behind cab</b>	0	0
7940135	O	<b>Location: 135 gal fuel tank LH behind cab</b>	0	0

### Cab & Equipment

8025300	O	<b>Cab: AeroCab Curved Glass Conventional. AeroCab</b> includes aluminum & fiberglass fully hucked cab w/ all aluminum bulkhead doors & continuous stainless steel piano-style door hinge & pins. Available only w/ AeroCab sleepers. Not for use on W900 w/ set forward axle. C500B: 123 in. BBC. 74 in. FA to BOC. T660B: 122 in. BBC. 74 in. FA to BOC. T800B: 121 in. BBC. 74 in. FA to BOC. W900B: 120 in. BBC. 90 in. FA to BOC. W900L: 130in. BBC. 100 in. FA to BOC. Incandescent exterior lights include diagnosable bulb detection and warning. Trailer cable on tractors includes integrity detection. Standard features include multiplex wiring for interior lights, automated pre-trip inspection, short and open check diagnostics, and programmable daytime running lights. Warning alarm will sound when lights are left on.	0	0
8077562	O	<b>Sleeper: 62 in. AeroCab AERODYNE sleeper.</b>	14,127	1,033
8080137	O	<b>Cab door bearing blocks, top &amp; bottom.</b>	28	0
8080942	O	<b>Sleeper door, LH/RH w/ sliding window.</b>	528	19
8090122	O	<b>Hood: Sloped Metton hood w/ split fenders.</b> Includes grille & shell. Use for T800B 2-piece requires 1440 square in. radiator & 2007+ engine.	341	11
8098404	O	<b>Additional 4 ribs on radiator grille.</b>	92	2
8178210	O	<b>Heater/Air conditioner: Separate units, Cab &amp; sleeper.</b> W/integral defrosters & A/C. Separate heater & A/C in sleeper. Includes 5 mode rotary control in dash. 45,000 btu cab heater. Separate 29,000 btu sleeper heater w/AC, thermostatically controlled. T660 includes filter media. Includes on/off button for sleeper unit in air flow control dial. Parallel plumbing is included w/ all sleepers and allows for independent control of heat output at each heater. Shutoff valves are optional.	0	0
8190146	O	<b>Two ball valves for cab &amp; sleeper heaters.</b>	25	4
8190564	O	<b>Air Conditioning Excise Tax: Canadian Registry</b>	175	0
8201013	S	<b>Steering wheel: 18 in. 4-spoke.</b>	0	0
8201200	O	<b>Adjustable telescoping tilt steering column.</b>	352	10
8203184	O	<b>Switch &amp; Wiring: For Customer-Installed Cab Panel Lights.</b>	74	0
8205045	O	<b>Flip valve: On dash for single speed PTO.</b> Customer-installed. Includes indicator light & piping.	345	2

Unpublished options may require review/approval.  
Dimensional and performance data for unpublished options may vary from that displayed in PROSPECTOR.

Printed:	8/26/2014 9:00:33 AM	<b>Incomplete</b>	Model Number:	T800 Series Conventional.
Effective Date:	Jan 1, 2014		Quote/DTPO/CO:	Q53300040
Prepared by:	ID: GeorgeD		Version Number:	33.30



Data	Code	Description	\$ List	Weight
8205103	O	<b>Information for customer-installed PTO Chelsea</b> 488/489/680/812 8-bolt.	44	0
8221138	O	<b>Gauge: Air suspension pressure gauge.</b> For dual leveling valves, not dual read.	220	0
8224461	O	<b>Digital Clock With Alarm: Mounted In Sleeper</b>	30	0
8225656	O	<b>Gauge: Axle oil temperature gauge tri-drive axle.</b>	151	0
8240620	O	<b>Canadian instrument package: KPH speedometer</b> replaces MPH.	0	0
8282004	S	<b>KW Driver Information Center: Includes fuel</b> economy, RPM display, trip information, truck information, diagnostics, gear display, alarm clock.	0	0
8282009	S	<b>Instrument package: Includes speedometer,</b> tachometer, fuel gauge, engine coolant temperature gauge, engine oil pressure, voltmeter. Class 8 also includes primary & secondary air reservoir gauges & an air application gauge. DEF level gauge and warning lamp are included with 2010+ engines. Engine hour meter and outside air temperature readouts are standard. Primary read out will be MPH. Add 8240620 to switch primary scale to KPH in Canada.	0	0
8330162	O	<b>Interior: Diamond cab/62 in. AeroCab sleeper.</b> Includes diamond-tufted upholstered side & back panels w/accent lines, stitched upholstered diamond-tufted door & carpeted kick panel, full diamond-tufted vinyl headliner, button color matches primary lining color, wood grain dash panels, black rubber floormat. Includes Kenworth NavPlus navigation system on 2010+ engines. Sleeper includes sleeper curtain, full diamond-tufted vinyl headliner, diamond-tufted upholstered door pads & wall panels w/accent lines, button color matches primary lining.	2,826	33
8343304	S	<b>Interior color: Slate Gray w/trim Dark Slate Gray</b>	0	0
8390648	O	<b>Black carpet in cab, replacing floormat.</b>	105	0
8390748	O	<b>Carpet replacing floormat: Black nylon in sleeper</b> dressing area.	76	0
8410893	O	<b>Driver seat: Kenworth Air cushion Premium Plus HB</b> leather. Heated. Standard features includes 7 in. fore and aft slide adjustment w/isolator, 6-58 degree recline, air suspension w/ cover, dual armrests, and triple chamber air lumbar support. Cushion and back include air adjustment. Seat cushion is 20 inches wide w/ 2-position tilt and 6- position front cushion support. Seat material has a horizontal stitch pattern and is 2-tone in color. Standard storage includes a side bolster pocket and a hanging pocket. Seat back is carpeted, and high back seats include a storage pocket. Seat is manufactured by National. Includes inside visor and retractable 3-point matching seat belts. Black seat belts for T700, gray on all other models.	802	0

Unpublished options may require review/approval.  
Dimensional and performance data for unpublished options may vary from that displayed in PROSPECTOR.

Printed:	8/26/2014 9:00:33 AM	<b>Incomplete</b>	Model Number:	T800 Series Conventional.
Effective Date:	Jan 1, 2014		Quote/DTPO/CO:	Q53300040
Prepared by:	ID: GeorgeD		Version Number:	33.30



Data	Code	Description	\$ List	Weight
8480191	O	<b>Rider seat: Kenworth Air cushion Plus HB vinyl.</b> Standard features includes 7 in. fore and aft slide adjustment w/isolator, 6-23 degree recline, air suspension with cover, dual armrests, and single chamber air lumbar support. Seat cushion is 20 inches wide w/ 2-position tilt and 2-position front cushion extension. Seat material has a horizontal stitch pattern and is 2-tone in color. Seat back is carpeted. Seat is manufactured by National. Includes inside visor and retractable 3-point matching seat belts. Black seat belts for T700, gray on all other models.	375	17
8490110	S	<b>Seat color: Dark Slate Gray.</b>	0	0
8498453	O	<b>Dual KW driver seat armrests: Stowable inboard &amp; folding outboard.</b>	117	2
8498553	O	<b>Dual rider seat armrests: Stowable inboard &amp; folding outboard.</b>	137	2
8505110	O	<b>TV Installation Package: AeroCabs. Low Mounted</b> Includes 12V power outlet, vibration absorbing pad, holddown strap & antenna mounted in roof. 10 in. TV recommended.	249	6
8505800	O	<b>Switch, wiring &amp; power outlet: 12V cooler w/ indicator light on dash. AeroCabs or 75 in. sleepers.</b>	67	2
8520141	O	<b>Premium pocket innerspring mattress on lower bunk.</b>	0	0
8530237	O	<b>Rubber floormat in tool compartment.</b>	0	0
8555100	O	<b>LH &amp; RH upper forward storage compartments.</b>	371	37
8570001	O	<b>Full length closet w/shelf for 62 inch AeroCab only.</b>	0	0
8570006	O	<b>Two storage shelves: RH side for 62 inch AeroCab only.</b>	0	0
8570017	O	<b>Back wall storage shelf: 62 in. Aerodynes &amp; 72 in. AERDOYNES. Non-VIT.</b>	391	26
8698998	O	<b>Speakers: Two 5-1/4 in. For sleeper w/fader in radio for volume control to sleeper.</b>	45	2
8699169	O	<b>Additional accessory power supply wiring.</b> In header.	16	0
8699514	O	<b>Speakers: Four 4 in. x 6 in. high performance.</b> Adds 2 speakers to the Panasonic standard 2. Located in cab header & rear cab corners.	45	0
8700049	O	<b>Logbook holder under dash.</b>	36	0
8700168	S	<b>Non-self cancelling turn signal: W/column-mounted headlight dimmer switch &amp; intermittent wiper control.</b>	0	0
8700186	S	<b>Electric LH &amp; RH door locks.</b>	0	0
8700405	O	<b>Stainless steel permit panels on cab.</b>	82	13
8800271	S	<b>Long grabhandle RH side of cab.</b>	0	0
8800373	S	<b>Long grabhandle LH side of cab.</b>	0	0

Unpublished options may require review/approval.  
Dimensional and performance data for unpublished options may vary from that displayed in PROSPECTOR.

Printed: 8/26/2014 9:00:33 AM **Incomplete** Model Number: T800 Series Conventional.  
Effective Date: Jan 1, 2014 Quote/DTPO/CO: Q53300040  
Prepared by: ID: GeorgeD Version Number: 33.30



Data	Code	Description	\$ List	Weight
8800400	S	Grabhandle LH inside door frame above dash.	0	0
8800401	S	Grabhandle RH inside door frame above dash.	0	0
8829612	O	Side Extenders: 19 inch wide w/ rubber edges. Rubber edges are 7 inches wide. Actual dimension are 19.25 inches for daycabs and 19.75 inches for sleepers.	446	52
8832115	O	DAYLITE DOOR: LH/RH INCL RH PEEPER WINDOW	0	0
8841623	O	Dual rectangular air horn 26 in. LH/RH top of roof. Includes air horn covers.	201	4
8850300	S	Single convex mirror 8-1/2 in. x 4-7/16 in. located on rider side, and non-heated.	0	0
8863570	O	Dual convex heated mirror 8.5 inch w/ offset mounting below regular mirror.	74	11
8866102	O	Mirror: Dual Prutsmen lighted mirrors 7 in. x 16 in. polished stainless steel, thermostatically controlled & lighted. Switch located on door pad.	13	0
8869005	S	Mirror brackets 8-1/2 ft load width.	0	0
8879213	O	Electric-powered LH & RH door window lifts. Switch located on door.	244	0
8890105	O	Two-piece roped-in windshield, w/ curved glass.	138	2
8890135	O	Exterior stainless steel sunvisor.	116	11
8890351	O	2 in. rubber wheelwell fender extension.	155	8
8890872	O	Kenworth cab/sleeper air suspension for use w/ 38/62/72/86 in. AeroCabs only.	0	0
8891000	O	Quiet cab package: For Non-VIT interiors. Includes firewall insulation & floor covering w/ sound deadening materials and cowl blanket	164	77

**Lights & Instruments**

9010802	S	Headlamps: Dual Rectangular, extended life halogen	0	0
9022137	O	Marker Lights: Five, rectangular, LED	79	0
9030014	O	Turn Signal Lights: LED, mounted on fender	87	0
9049825	O	Customer-installed road/fog lights switch & wiring.	29	0
9056140	O	Dual Pedestal Floodlights: First set. Includes one switch.	218	2
9059909	O	Floodlight Location: Located high outboard of side extender - first set.	0	0
9080128	O	Dual Revolving Amber Roof Lights: Centered over cab door w/ stainless steel bracket.	617	15
9090000	O	Daytime Running Lamps.	152	0

Unpublished options may require review/approval.  
Dimensional and performance data for unpublished options may vary from that displayed in PROSPECTOR.

Printed: 8/26/2014 9:00:33 AM **Incomplete** Model Number: T800 Series Conventional.  
Effective Date: Jan 1, 2014 Quote/DTPO/CO: Q53300040  
Prepared by: ID: GeorgeD Version Number: 33.30



Data	Code	Description	\$ List	Weight
9090039	S	<b>Marker Lights: Interrupter switch.</b> Included in Turn Signal for all models except T3. The T3 switch is in the dash.	0	0
9090065	O	<b>LH &amp; RH Courtesy Lamps: On upper skirt to light up steps.</b>	124	0
9090117	O	<b>Marker Lights: Midframe</b> & reflectors mounted standout. Required on tractors where overall length exceeds 30 feet.	178	22
9090126	O	<b>Electric Backup Alarm: Meets SAE J994 &amp; OSHA</b> requirements.	134	4
9090302	O	<b>Junction Box: Mounted Behind Cab or Sleeper</b> Not Mounted at End of Frame.	135	0
9090845	O	<b>Circuit Breakers: Replacing fuses. Does not</b> apply to any 5-amp fuse box position. Breakers include stop/brake/turn, tail lamp, high & low beams, marker/clearance lamps, horn, fuel heat, gauges, wipers, air dryer, HVAC controls, panel lamps.	38	0

**Air Equipment**

9101230	O	<b>Air Dryer: Bendix AD-IS Extended Purge heated.</b>	144	4
9108001	S	<b>Moisture ejection valve w/ pull cable drain.</b>	0	0
9110071	O	<b>Tractor kit: Center frame-mounted w/ hosetenna.</b> Includes composite gladhand/light plug holder. Kit includes dash mounted trailer air supply valve, trailer hand control valve, and hoses/fittings for the valves. Dash mounted parking brake valve and tractor protection valve are standard. Air lines are detachable at one end only, light lines are detachable at both ends. Conspicuity components are standard.	719	24
9120012	O	<b>Air and light line length 12 feet</b>	0	0
9140020	S	<b>Nylon air tubing in frame &amp; cab, excluding hoses</b> subject to excessive heat or flexing.	0	0
9140201	O	<b>Chrome hosetenna: Requires code for tractor kit</b> w/ hosetenna.	14	0
9140247	O	<b>Locate air dryer under RH rail BOC</b>	25	0
9140284	O	<b>Non-Std air tank location: narrate area to</b> remain clear. Not available w/ air tanks in flanges.	812	4
9140328	O	<b>Trailer ABS electric supply through SAE J560</b> 7-pin connector per TMC RP137).	0	0
9140703	O	<b>Optional Hosetenna Bracket Location 3ft</b> BOC/sleeper. Hosetenna bracket will be located plus or minus six inches from any non-standard location requested	15	0

**Extended Warranty**

9200021	S	<b>Standard Warranty.</b>	0	0
9210210	O	<b>Heavy-duty Emissions Surcharge \$9250.</b>	9,250	0

Unpublished options may require review/approval.  
Dimensional and performance data for unpublished options may vary from that displayed in PROSPECTOR.

Printed:	8/26/2014 9:00:33 AM	<b>Incomplete</b>	Model Number:	T800 Series Conventional.
Effective Date:	Jan 1, 2014		Quote/DTPO/CO:	Q53300040
Prepared by:	ID: GeorgeD		Version Number:	33.30



Data	Code	Description	\$ List	Weight
<b>Miscellaneous</b>				
9490003	O	<b>Additional lead time required for off highway &amp; /or specialty component truck.</b>	0	0
9490012	U	<b>USA CERTIFICATION DECALS F/CANADIAN TRK</b>	0	0
9490206	O	<b>Warning triangle reflector kit: Shipped loose.</b> Kit consists of 3 triangles in plastic carrying case. Not floor mounted.	40	4
<b>Paint</b>				
9700000	O	<b>Paint color number.</b> N97020 A - L0225EB WHITE B/C N97200 FRAME N0001EA BLACK	0	0
9943004	O	<b>Bumper Unpainted, Chrome Bright Finish</b>	0	0
9943419	O	<b>Imron solid 1 color aerodyne sleeper Spec A.</b> Will be White L0006EB if no other color specified.	0	0
9965510	S	<b>Base coat/clear coat.</b> The Kenworth Color Selector contains additional instructions, as well as information on Kenworth paint guidelines and surface finish applications. Kenworth is standard with Dupont Imron Elite paint.	0	0
9999945	O	<b>Charge chassis in United States dollars.</b>	0	0

Total Weight 24677

**Prices and Specifications Subject to Change Without Notice.**

Unpublished options may require review/approval.  
Dimensional and performance data for unpublished options may vary from that displayed in PROSPECTOR.

Printed:	8/26/2014 9:00:33 AM	<b>Incomplete</b>	Model Number:	T800 Series Conventional.
Effective Date:	Jan 1, 2014		Quote/DTPO/CO:	Q53300040
Prepared by:	ID: GeorgeD		Version Number:	33.30