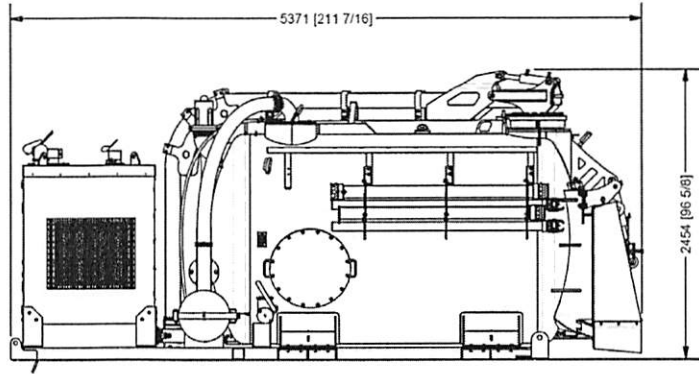


FRONT VIEW



DRIVER SIDE VIEW

GENERAL

Debris Capacity	5.6 cubic yards
Water Capacity	720 US gallons

POWER

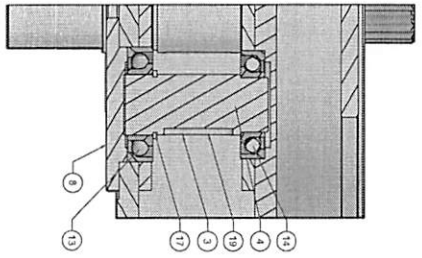
Engine Make & Model	Hatz 4H50
Engine Power	75HP @ 2500 RPM
Engine Torque	177 lb-ft
Fuel	Ultra Low Sulfur Diesel

VACUUM

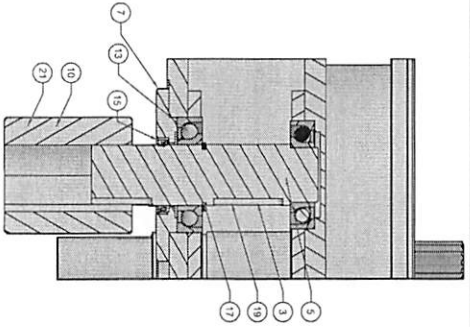
Blower Make & Model	Tuthill 5514-A3L3CV2-A PD Plus
Max Air Flow Rate	1200 CFM
Max Vacuum	15 in Hg
Boom Hose	4" ID

WATER

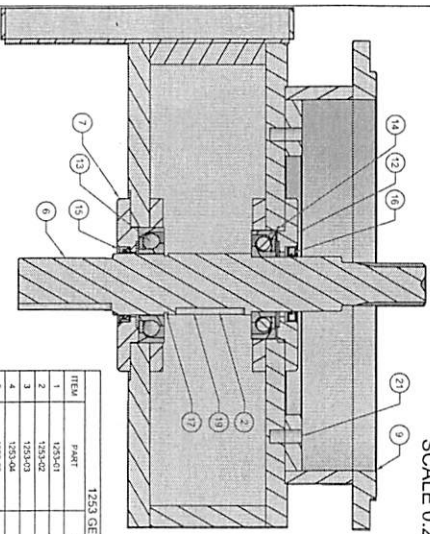
Water Pump Make & Model	Dynablast TS2021BN
Water Flow Rate	5.6 GPM
Max Water Pressure	3000 PSI
Water Heater Make & Model	Dynablast HV300FLS-12V (300,000 BTU)



SECTION B-B
SCALE 0.2858

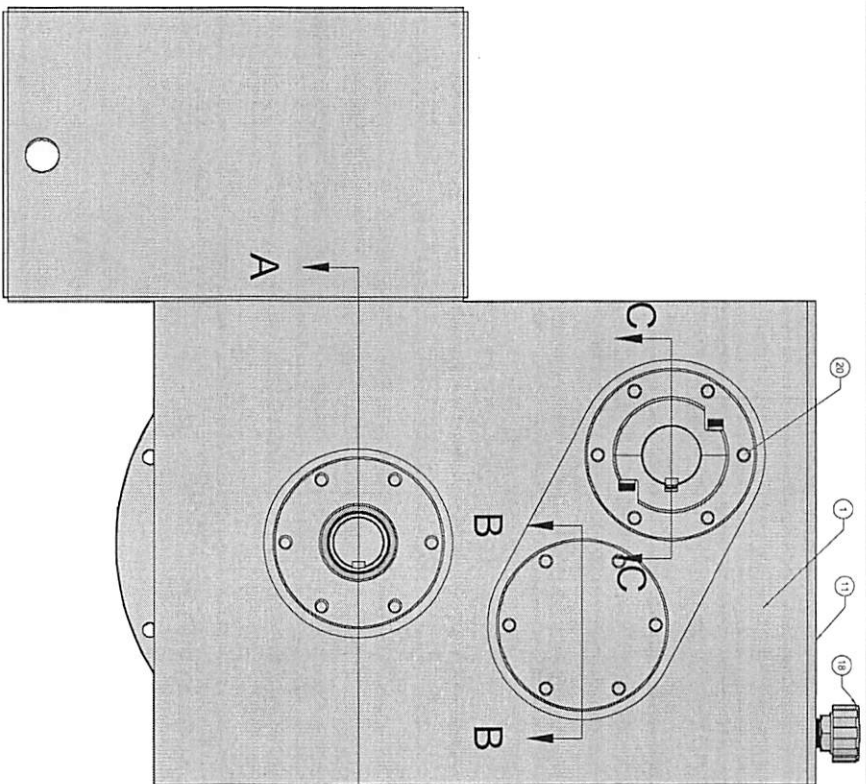


SECTION C-C
SCALE 0.2858

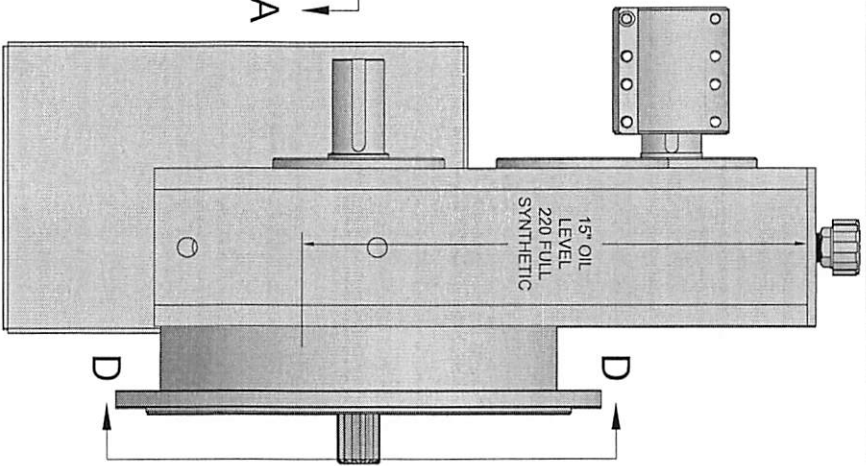
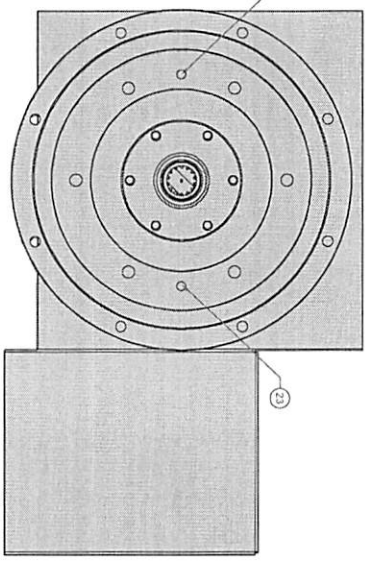


SECTION AA
SCALE 0.2858

ITEM	PART	DESCRIPTION/LENGTH	QTY
1	125301	GEARBOX	1
2	125302	END GEAR	1
3	125303	SMALL GEAR	2
4	125304	SHAFT	1
5	125305	SHAFT	1
6	125306	SP. NUT SHAFT	1
7	125307	COVER PLATE	2
8	125308	FLANGE	1
9	125309	FLANGE	1
10	125310	COUPLING	1
11	125311	LEO	1
12	125312	SMALL COVER	1
13	209	REAR END NUTS	3
14	125313	REAR END NUTS	2
15	125314	REAR END NUTS	2
16	125315	REAR END NUTS	2
17	125316	REAR END NUTS	2
18	125317	REAR END NUTS	2
19	125318	REAR END NUTS	2
20	125319	REAR END NUTS	2
21	125320	REAR END NUTS	2
22	125321	REAR END NUTS	2
23	125322	REAR END NUTS	2
24	125323	REAR END NUTS	2



SECTION D-D
SCALE 1:5



PARALLEL WELDING
1253 ASSEMBLY

15" OIL LEVEL. 220 FULL. SYNTHETIC

DATE: 2023-03-07
WOP#: PWC 1253

REV A Release for customer approval
REV B Breating from Amplifier contact to standard and add side oil tank

1253 BROWNELLER RD
QUEENSB. BC V2A 0C7

PAGE 10/1
REV A