

# Experian AutoCheck Report

Report run: 05/13/2026 09:58:49 EDT

## 2008 Jaguar XJ Vanden Plas

Sedan 4D (4.2L V8 PFI Gasoline)

VIN:	SAJWA82B28SH20196
Class:	Car - Large Luxury
Country of Assembly:	United Kingdom
Vehicle Age:	18 year(s)
Estimated In Service:	06/01/2007
Last Reported Odometer:	159,139 (12/03/2025)

Owners - 4



Vehicle Usage  
Lease



## AutoCheck Score

Similar vehicles usually range between 30 and 46

### Vehicle History at a Glance

<p>State Title Brand</p> <p><b>CLEAN</b></p>	<p>Auction Brand / Issues</p> <p><b>NO ISSUE</b></p>	<p>Accident / Damage</p> <p><b>MINOR</b></p>
<p>Open Recall Check</p> <p><b>NO OPEN RECALLS</b></p>	<p>Insurance Loss / Transfer</p> <p><b>NO ISSUE</b></p>	<p>Odometer Check</p> <p>Last reported odometer: 159,139 (12/03/2025)</p> <p><b>NO ISSUE</b></p>
<p>Certified Pre-Owned</p> <p><b>NO CPO INFO AVAILABLE</b></p>	<p>Service / Repair</p> <p>5 Service Record(s) Reported</p> <p><b>NO ISSUE</b></p>	<p>Additional History</p> <p>Lien Reported, Duplicate Title</p> <p><b>EVENTS REPORTED</b></p>



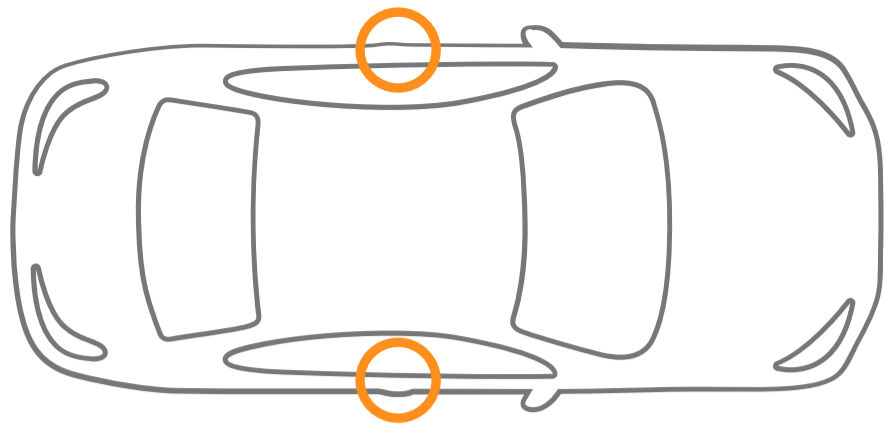
This vehicle is eligible for Buyback Protection

Due to the vehicle's history showing no reported major state title brands. [Terms & Conditions](#)

[Learn More](#)



Accident & Damage



Airbag Deployed



Structural Damage



Overturned



Minor

**Damage Date**

**Damage Type**

**Severity**

04/03/2018

Collision

Unknown

12/18/2019

Collision

Minor

Accident or damage event(s) have been reported for this vehicle to Experian AutoCheck. An inspection may provide added confidence in the vehicle's condition before purchase.

**Service History**

**Service History Summary**

Below is a summary of services that have been reported for this vehicle. Please note that not all maintenance events are reported to Experian AutoCheck.

**Regular Oil Changes**

- 1 oil services reported
- Last oil service reported 08/27/2014

**Fluids Maintained**

Information not available.

**OEM Recommended Services**

Please contact your local dealer or visit the OEM's website for details.

**Brakes Maintained**

- 2 brake pad replacements
- Brake last maintained on 08/27/2014

**Tires Maintained**

Information not available.

**A/C & Climate Control**

Information not available.

**Other Services**

- Battery replaced on 08/27/2014

**Odometer Check**

**Your Vehicle Checks Out**

No odometer brands, rollbacks, rollover or tampering has been reported to AutoCheck from state Division of Motor Vehicles (DMV) or auction sources. AutoCheck also examined the sequence of reported odometer readings to determine if there are any potential discrepancies.

**State Title Odometer Check**

No issues reported

**Auction Odometer Check**

No issues reported

**Odometer Calculation Check**

No issues reported

**Detailed Vehicle History**

Below are the historical events for this vehicle listed in chronological order.  
**Vehicle:** 2008 Jaguar XJ Vanden Plas (SAJWA82B28SH20196) **Report Run Date:** 05/13/2026 09:58:49 EDT

2007

## Vehicle Prep and Other Pre-Titling Events

Preparation Date: 06/2007

Event Date	Location	Odometer	Data Source	Details
06/01/2007			Independent Source	Vehicle Manufactured and Shipped to Dealer
09/13/2007	FL	49	Motor Vehicle Dept.	Odometer Reading from DMV

2007

### Owner 1

Location: FL

Owned From: 10/2007

Usage: Lease

Event Date	Location	Odometer	Data Source	Details
10/15/2007	FL		Motor Vehicle Dept.	Title(Title #:0099407394) (Leased Vehicle) (Lien Reported)
10/15/2007	SANTA ROSA BEACH, FL		Motor Vehicle Dept.	Registration Event/Renewal(Leased Vehicle)
12/19/2008	SANTA ROSA BEACH, FL		Motor Vehicle Dept.	Registration Event/Renewal(Leased Vehicle)
12/29/2009	SANTA ROSA BEACH, FL		Motor Vehicle Dept.	Registration Event/Renewal

2010

### Owner 2

Location: FL

Owned From: 07/2010

Usage: Personal

Event Date	Location	Odometer	Data Source	Details
07/13/2010	SANTA ROSA BEACH, FL	27,451	Motor Vehicle Dept.	Title(Title #:0099407394)
07/13/2010	SANTA ROSA BEACH, FL		Motor Vehicle Dept.	Registration Event/Renewal
10/28/2010	SANTA ROSA BEACH, FL		Motor Vehicle Dept.	Registration Event/Renewal
09/10/2011	SANTA ROSA BEACH, FL	41,408	Service Contract Company	Service Contract Issued
10/18/2011	SANTA ROSA BEACH, FL		Motor Vehicle Dept.	Registration Event/Renewal
10/16/2012	SANTA ROSA BEACH, FL		Motor Vehicle Dept.	Registration Event/Renewal
10/17/2013	SANTA ROSA BEACH, FL		Motor Vehicle Dept.	Registration Event/Renewal
03/04/2014	JACKSONVILLE, FL		Service Record	Brakes Serviced
08/22/2014	SANTA ROSA BEACH, FL	92,516	Service Contract Company	Service Contract Cancelled
08/27/2014	FL	92,640	Independent Repair Center	Battery Serviced or Replaced Multiple Point Vehicle Inspection Brakes Serviced Lube, Oil And/Or Filter Changed

2014

### Owner 3

Location: FL

Owned From: 08/2014

Usage: Personal

Event Date	Location	Odometer	Data Source	Details
08/29/2014	FL	92,661	Motor Vehicle Dept.	Odometer Reading from DMV
08/29/2014	SANTA ROSA BEACH, FL		Motor Vehicle Dept.	Registration Event/Renewal
08/29/2014	FL		Independent Repair Center	Multiple Point Vehicle Inspection Engine Serviced Vehicle Detailed

Event Date	Location	Odometer	Data Source	Details
09/04/2014	SANTA ROSA BEACH, FL		Motor Vehicle Dept.	Title(Title #:0099407394)

2015

### Owner 4

Location: FL	Owned From: 03/2015	Usage: Personal
--------------	---------------------	-----------------

Event Date	Location	Odometer	Data Source	Details
03/30/2015	FL	93,528	Motor Vehicle Dept.	Odometer Reading from DMV
03/30/2015	HOMESTEAD, FL		Motor Vehicle Dept.	Registration Event/Renewal
04/06/2015	HOMESTEAD, FL		Motor Vehicle Dept.	Title(Title #:0099407394) (Lien Reported)
01/15/2016	HOMESTEAD, FL		Motor Vehicle Dept.	Registration Event/Renewal
01/25/2017	HOMESTEAD, FL		Motor Vehicle Dept.	Registration Event/Renewal
12/19/2017	LAKELAND, FL		Motor Vehicle Dept.	Registration Event/Renewal
04/03/2018	BARTOW, FL		Damage Report	Accident or Damage Reported Vehicle Damage Reported Right Side Damage or Repair Reported
01/31/2019	LAKELAND, FL		Motor Vehicle Dept.	Registration Event/Renewal
12/18/2019	WINTER HAVEN, FL		Damage Report	Accident or Damage Reported Minor Damage Reported Left Side Damage or Repair Reported Right Side Damage or Repair Reported
01/27/2021	LAKELAND, FL		Motor Vehicle Dept.	Registration Event/Renewal
01/13/2022	LAKELAND, FL		Motor Vehicle Dept.	Registration Event/Renewal
02/01/2023	LAKELAND, FL		Motor Vehicle Dept.	Registration Event/Renewal
01/11/2024	LAKELAND, FL		Motor Vehicle Dept.	Registration Event/Renewal
01/31/2025	LAKELAND, FL		Motor Vehicle Dept.	Registration Event/Renewal
10/27/2025	ONLINE DEALER	159,134	Dealer Listing	Vehicle Listed for Sale
11/25/2025	LAKELAND, FL		Motor Vehicle Dept.	Title(Title #:0099407394) (Lien Reported) Duplicate Title(Lien Reported)
12/01/2025	FL	159,139	Auto Auction	Reported at Auto Auction as Dealer Vehicle(COLOR REPORTED AS BLACK)
12/03/2025	FL	159,139	Auto Auction	Reported at Auto Auction

## Warranty Check

The warranty coverage shown below is an estimate using the best available in-service date, mileage readings, and warranty information. Enter the exact odometer reading below for more accurate results. Experian AutoCheck does not guarantee coverage, please verify these results and coverage details with an authorized dealership.

Coverage Type	Remaining Miles	Remaining Time	Status	Coverage Details
Basic <i>i</i>	-	-	✘	48 months / 50000 miles
Battery <i>i</i>	-	-	-	Contact a certified dealer to verify coverage
Corrosion <i>i</i>	-	-	✘	72 months / Unlimited miles
Powertrain <i>i</i>	-	-	✘	48 months / 50000 miles

Coverage Type	Remaining Miles	Remaining Time	Status	Coverage Details
Roadside Assistance ⓘ	-	-	✘	48 months / 50000 miles
Safety Restraint ⓘ	-	-	-	Contact a certified dealer to verify coverage

**AutoCheck Terms and Conditions**

This report, and any reliance upon it, is subject to [AutoCheck Terms and Conditions](#). If you obtained the report from a lender/dealer, the lender/dealer has been provided with these Terms and Conditions and can share them with you. These AutoCheck Terms and Conditions are also available at any time at [www.autocheck.com/terms](http://www.autocheck.com/terms) or by writing to Experian: Experian Automotive C/O AutoCheck Customer Service 1515 E. Woodfield Road, Suite 500, Schaumburg, IL 60173.

**Buyback Protection Terms and Conditions**

This vehicle (SAJWA82B28SH20196) qualifies for [AutoCheck Buyback Protection](#). If you obtained the report from a dealer, the dealer has been provided with the terms and can share them with you. These Buyback Protection Terms and Conditions are also available to you at any time at [www.autocheck.com/bbptterms](http://www.autocheck.com/bbptterms) or by writing to Experian: Experian Automotive C/O AutoCheckCustomer Service 1515 E. Woodfield Road, Suite 500, Schaumburg, IL 60173.

**About AutoCheck**

AutoCheck vehicle history reports by Experian Automotive is the leading vehicle history reporting service. With expert data handling, the Experian Automotive database houses over 4 billion records on a half a billion vehicles. Every AutoCheck vehicle history report will give you confidence when buying or selling your next used vehicle, with superior customer service every step of the way.

**Patent Notice**

Certain aspects of this vehicle history report may be covered by U.S. Patent 8,005,759.