

<b>Accident Prevention</b> Read and understand safety warning in the operation and maintenance manual Have you completed a take 2? Have your job circumstances change since completing your take 2?					
<b>AT753 - A40G Articulated Dump Truck 250 Hour Service Sheet</b>					
Date:	03/09/25	Name:	Dion Kasperis		
Serial No#	324633	Service Type:	250 Hour	Machine Hours:	4745 HRS.
<input checked="" type="checkbox"/>	Machine has been cleaned prior to commencement of service?				
<input checked="" type="checkbox"/>	Machine has been positioned on flat level ground				
<input checked="" type="checkbox"/>	All implements have been lowered				
<input checked="" type="checkbox"/>	Machine has been isolated and locked out				

Note: The electronic copy of this document is controlled. To ensure that other copies of this document are current, check the revision number and date against the compliance management database, Qudos

Prepared By: David McNicol    Date: 16/06/2021    Approved By: John Stokes    Date: 16/06/2021  
 Rev. No: 0    Date Implemented: 16/06/2021

SAMPLE:		INITIALS
	Engine	[Signature]
	Transmission	
CHANGE:		
	If required change Primary Engine Air Filter (VOE11110532)	[Signature]
CLEAN:		
	Engine breather	[Signature]
	Primary fuel screen	
	Transmission breather	
	Differential housing breather	
	Batteries and terminals	
CHECK:		
	Transmission oil level	[Signature]
	Transfer gear oil level	
	Differential oil levels	
	Final drive oil level	
	Front wheel hub oil level	
	Hydraulic oil levels	
	Coolant level	
	Drain water from air tanks	
	Drain water and sediment from fuel tank	
	Battery cable	
	Battery electrolyte level	
	Park brake accumulator pressure	
	Service brake accumulator pressure	
	Steering accumulator pressure	
GREASE:		
	Driveshaft splines and universal joints (HAND GUN ONLY) (DO NOT USE MINE GREASE)	[Signature]
	Universal joints	
	Articulation hitch bearings	
	Fill bulk auto grease tank	

Note: The electronic copy of this document is controlled. To ensure that other copies of this document are current, check the revision number and date against the compliance management database, Qudos

Prepared By: David McNicol      Date: 16/06/2021      Approved By: John Stokes      Date: 16/06/2021  
 Rev. No: 0      Date Implemented: 16/06/2021

**250HR MECHANICAL CHECK:**
**KEY FOR COLUMNS:**

1. Defect found and repaired
2. Defect on machine, machine still OK
3. OK
4. Not applicable

<b>CHECK:</b>		<b>1</b>	<b>2</b>	<b>3</b>	<b>4</b>
	Condition and tension of V belts			✓	
	Suspension Condition			✓	
	Suspension mounting bolts including A-Frame Bolts			✓	
	Universal joints for wear			✓	
	Articulation hitch bearing for movement			✓	
	Articulation cylinder pin wear			✓	
	Operation of hydraulic controls			✓	
	Air conditioner – condition and operation			✓	
	Frame and attachments for cracks			✓	
	Fuel system for loose bolts and fittings			✓	
	Fuel line supply support clamps			✓	
	Hydraulic system for damaged lines and loose fittings			✓	
	All hoses for general conditions and chaffing			✓	
	Cooling system hoses for conditions and clamps for tightness			✓	
	Induction system for leaks and clamps for tightness			✓	
	Engine mounts			✓	
	Transmission mounts			✓	
	Exhaust system for leaks, clamps and bolts for tightness			✓	
	Radiator for debris (wash if necessary)			✓	
	Engine shutdown system			✓	
	Operation of park brake interlock			✓	
	All points are receiving grease			✓	

*Note: The electronic copy of this document is controlled. To ensure that other copies of this document are current, check the revision number and date against the compliance management database, Qudos*

**Prepared By:** David McNicol    **Date:** 16/06/2021    **Approved By:** John Stokes    **Date:** 16/06/2021  
**Rev. No:** 0    **Date Implemented:** 16/06/2021



**CHECK TYRE PRESSURES :**

	POS 1	POS 2	POS 3
Actual:	65 PSI.	65 PSI	65 PSI.
Adjusted:			
	POS 4	POS 5	POS 6
Actual:	65 PSI	65 PSI	65 PSI.
Adjusted:			

**SAFETY CHECK TO BE CARRIED OUT EVERY SERVICE**

**NOTE:** Boxes A - F are to be initialled by person carrying out safety checks.

Every person carrying out these checks **must** also sign off Safety Check Sheet before the end of each shift.

**KEY:**

- A. **Machine is not safe**, defect must be repaired
- B. Defect found, authorisation required before returning to work
- C. Defect found and recorded, machine safe to operate
- D. Defect found and repaired
- E. OK
- F. Not applicable

CHECK:	A	B	C	D	E	F
Service brake operation stall test (SPEC: must hold at 1200 RPM)					✓	
Emergency brake test (SPEC: must hold at 1200 RPM)					✓	
Park brake operation test (SPEC: must hold at 1200 RPM)					✓	
Retarder operation					✓	
Steering operation					✓	
Emergency steering operation					✓	
Seats – suspension adjustment/condition					✓	
Seat belt – retainers and operation					✓	
Doors					✓	
Windows					✓	
Mirrors					✓	
Cab condition					✓	
Horns – air and electric					✓	
Wipers					✓	
Washer bottle full					✓	

*Note: The electronic copy of this document is controlled. To ensure that other copies of this document are current, check the revision number and date against the compliance management database, Qudos*

Prepared By: David McNicol      Date: 16/06/2021      Approved By: John Stokes      Date: 16/06/2021  
 Rev. No: 0      Date Implemented: 16/06/2021

<b>CHECK:</b>	<b>A</b>	<b>B</b>	<b>C</b>	<b>D</b>	<b>E</b>	<b>F</b>
Gauges					✓	
Audible alarm and warning lights					✓	
Lights					✓	
Reverse alarm					✓	
Operation of emergency stops					✓	
Two way radio operation					✓	
Grab rails					✓	
Tyre condition					✓	
Wheel nuts					✓	
Pin retainers					✓	
Fuel leaks					✓	
Accumulation of fuel, oil, grease etc. that may cause fire hazard					✓	
Steps					✓	
Fire extinguishers – check date and condition					✓	

*Note: The electronic copy of this document is controlled. To ensure that other copies of this document are current, check the revision number and date against the compliance management database, Qudos*

**Prepared By:** David McNicol    **Date:** 16/06/2021    **Approved By:** John Stokes    **Date:** 16/06/2021  
**Rev. No:** 0    **Date Implemented:** 16/06/2021



**Accident Prevention**  
Read and understand safety warning in the operation and maintenance manual  
Have you completed a take 2?  
Have your job circumstances change since completing your take 2?

**AT753 - A40G Articulated Dump Truck 500 Hour Service Sheet**

<b>Date:</b>	25/06/25	<b>Name:</b>	Dion + PJ		
<b>Serial No#</b>	324645	<b>Service Type:</b>	500 Hour	<b>Machine Hours:</b>	
<input checked="" type="checkbox"/>	Machine has been cleaned prior to commencement of service?				
<input checked="" type="checkbox"/>	Machine has been positioned on flat level ground				
<input checked="" type="checkbox"/>	All implements have been lowered				
<input checked="" type="checkbox"/>	Machine has been isolated and locked out				

Parts Description	Quantity	Part Number
Engine Oil Filter	2	VOE17533661
Engine Oil Filter	1	VOE21707132
Fuel Filter	1	VOE11110683
Fuel Filter	1	VOE54315806
Primary Engine Air Filter	1	VOE11110532
<b>ENGINE OIL</b>		
50 LITRES 15W-40		
<b>DROPBOX OIL</b>		
9 LITRES 80W-90 GL5		

*Note: The electronic copy of this document is controlled. To ensure that other copies of this document are current, check the revision number and date against the compliance management database, Qudos*

**Prepared By:** David McNicol    **Date:** 16/06/2021    **Approved By:** John Stokes    **Date:** 16/06/2021  
**Rev. No:** 0    **Date Implemented:** 16/06/2021

SAMPLE:		INITIALS
	Engine	<i>PM</i>
	Transmission	<i>PM</i>
	Dropbox Oil	<i>PM</i>
CHANGE:		
	Engine Oil	<i>PM</i>
	Engine Oil Filters	<i>PM</i>
	Fuel Filters	<i>PM</i>
	Dropbox Oil	<i>PM</i>
	Primary Engine Air Filter	<i>PM</i>
CLEAN:		
	Engine breather	<i>PM</i>
	Primary fuel screen	<i>PM</i>
	Transmission breather	<i>PM</i>
	Differential housing breather	<i>PM</i>
	Batteries and terminals	<i>PM</i>
CHECK:		
	Transmission oil level	<i>PM</i>
	Transfer gear oil level	<i>PM</i>
	Differential oil levels	<i>PM</i>
	Final drive oil level	<i>PM</i>
	Front wheel hub oil level	<i>PM</i>
	Hydraulic oil levels	<i>PM</i>
	Coolant level	<i>PM</i>
	Drain water from air tanks	<i>PM</i>
	Drain water and sediment from fuel tank	<i>PM</i>
	Battery cable	<i>PM</i>
	Battery electrolyte level	<i>PM</i>
	Park brake accumulator pressure	<i>PM</i>
	Service brake accumulator pressure	<i>PM</i>
	Steering accumulator pressure	<i>PM</i>

Note: The electronic copy of this document is controlled. To ensure that other copies of this document are current, check the revision number and date against the compliance management database, Qudos

Prepared By: David McNicol    Date: 16/06/2021    Approved By: John Stokes    Date: 16/06/2021  
 Rev. No: 0    Date Implemented: 16/06/2021



**GREASE:**

	Driveshaft splines and universal joints (HAND GUN ONLY) (DO NOT USE MINE GREASE)	
	Universal joints	
	Articulation hitch bearings	
	Fill bulk auto grease tank	

**500 HR MECHANICAL CHECK:**

**KEY FOR COLUMNS:**

1. Defect found and repaired
2. Defect on machine, machine still OK
3. OK
4. Not applicable

**CHECK:**

	1	2	3	4
Condition and tension of V belts			/	
Suspension Condition			/	
Suspension mounting bolts including A-Frame Bolts			/	
Universal joints for wear			/	
Articulation hitch bearing for movement			/	
Articulation cylinder pin wear			/	
Operation of hydraulic controls			/	
Air conditioner – condition and operation			/	
Frame and attachments for cracks			/	
Fuel system for loose bolts and fittings			/	
Fuel line supply support clamps			/	
Hydraulic system for damaged lines and loose fittings			/	
All hoses for general conditions and chaffing			/	
Cooling system hoses for conditions and clamps for tightness			/	
Induction system for leaks and clamps for tightness			/	
Engine mounts			/	
Transmission mounts			/	
Exhaust system for leaks, clamps and bolts for tightness			/	
Radiator for debris (wash if necessary)			/	
Engine shutdown system			/	
Operation of park brake interlock			/	
All points are receiving grease			/	

*Note: The electronic copy of this document is controlled. To ensure that other copies of this document are current, check the revision number and date against the compliance management database, Qudos*

Prepared By: David McNicol    Date: 16/06/2021    Approved By: John Stokes    Date: 16/06/2021  
 Rev. No: 0    Date Implemented: 16/06/2021

CHECK TYRE PRESSURES :			
	POS 1	POS 2	POS 3
Actual:	65 PSI.	65 PSI.	65 PSI
Adjusted:			
	POS 4	POS 5	POS 6
Actual:	65 PSI	65 PSI	65 PSI.
Adjusted:			

**SAFETY CHECK TO BE CARRIED OUT EVERY SERVICE**

**NOTE:** Boxes A - F are to be initialled by person carrying out safety checks.

Every person carrying out these checks **must** also sign off Safety Check Sheet before the end of each shift.

**KEY:**

- A. **Machine is not safe**, defect must be repaired
- B. Defect found, authorisation required before returning to work
- C. Defect found and recorded, machine safe to operate
- D. Defect found and repaired
- E. OK
- F. Not applicable

CHECK:	A	B	C	D	E	F
Service brake operation stall test (SPEC: must hold at 1200 RPM)					/	
Emergency brake test (SPEC: must hold at 1200 RPM)					/	
Park brake operation test (SPEC: must hold at 1200 RPM)					/	
Retarder operation					/	
Steering operation					/	
Emergency steering operation					/	
Seats – suspension adjustment/condition					/	
Seat belt – retainers and operation					/	
Doors					/	
Windows					/	
Mirrors					/	
Cab condition					/	
Horns – air and electric					/	
Wipers					/	
Washer bottle full					/	

*Note: The electronic copy of this document is controlled. To ensure that other copies of this document are current, check the revision number and date against the compliance management database, Qudos*

Prepared By: David McNicol      Date: 16/06/2021      Approved By: John Stokes      Date: 16/06/2021  
 Rev. No: 0      Date Implemented: 16/06/2021



CHECK:	A	B	C	D	E	F
Gauges					/	
Audible alarm and warning lights					/	
Lights					/	
Reverse alarm					/	
Operation of emergency stops					/	
Two way radio operation					/	
Grab rails					/	
Tyre condition					/	
Wheel nuts					/	
Pin retainers					/	
Fuel leaks					/	
Accumulation of fuel, oil, grease etc. that may cause fire hazard					/	
Steps					/	
Fire extinguishers – check date and condition					/	

Note: The electronic copy of this document is controlled. To ensure that other copies of this document are current, check the revision number and date against the compliance management database, Qudos

Prepared By: David McNicol      Date: 16/06/2021      Approved By: John Stokes      Date: 16/06/2021  
Rev. No: 0      Date Implemented: 16/06/2021



**Accident Prevention**  
 Read and understand safety warning in the operation and maintenance manual  
 Have you completed a take 2?  
 Have your job circumstances change since completing your take 2?

**AT753 - A40G Articulated Dump Truck 1000 Hour Service Sheet**

<b>Date:</b>	30/10/25	<b>Name:</b>	Lucas + Dion
<b>Serial No#</b>	324633	<b>Service Type:</b>	1000 Hour
		<b>Machine Hours:</b>	4995hrs
<input checked="" type="checkbox"/>	Machine has been cleaned prior to commencement of service?		
<input checked="" type="checkbox"/>	Machine has been positioned on flat level ground		
<input checked="" type="checkbox"/>	All implements have been lowered		
<input checked="" type="checkbox"/>	Machine has been isolated and locked out		

Parts Description	Quantity	Part Number
Engine Oil Filter	2	VOE17533661
Engine Oil Filter	1	VOE21707132
Fuel Filter	1	VOE11110683
Fuel Filter	1	VOE54315806
Brake Cooling Tank Oil Filter	1	VOE17410278
Transmission Oil Filter	2	VOE11448509
Hydraulic Tank Breather Filter	1	VOE11707077
Cabin Filter	1	VOE15052786
Primary Engine Air Filter	1	VOE11110532
<b>ENGINE OIL</b>		
50 LITRES 15W-40		
<b>DROPBOX OIL</b>		
9 LITRES 80W-90 GL5		

*Note: The electronic copy of this document is controlled. To ensure that other copies of this document are current, check the revision number and date against the compliance management database, Qudos*

Prepared By: David McNicol      Date: 16/06/2021      Approved By: John Stokes      Date: 16/06/2021  
 Rev. No: 0      Date Implemented: 16/06/2021

SAMPLE:		INITIALS
	Engine	LS
	Transmission	DR
	Dropbox Oil	DR
CHANGE:		
	Engine Oil	LS
	Dropbox Oil	DR
	Engine Oil Filters	LS
	Fuel Filters	LS
	Brake Cooling Tank Oil Filter	LS
	Transmission Oil Filter	DR
	Hydraulic Tank Breather Filter	LS
	Cabin Filter	LS
	Primary Engine Air Filter	LS
CLEAN:		
	Engine breather	LS
	Primary fuel screen	LS
	Transmission breather	LS
	Differential housing breather	LS
	Batteries and terminals	LS
CHECK:		
	Transmission oil level	LS
	Transfer gear oil level	DR
	Differential oil levels	LS
	Final drive oil level	LS
	Front wheel hub oil level	LS
	Hydraulic oil levels	LS
	Coolant level	LS
	Drain water from air tanks	LS
	Drain water and sediment from fuel tank	LS
	Battery cable & Battery electrolyte level	LS
	Park brake accumulator pressure	LS
	Service brake accumulator pressure	LS
	Steering accumulator pressure	LS

Note: The electronic copy of this document is controlled. To ensure that other copies of this document are current, check the revision number and date against the compliance management database, Qudos

Prepared By: David McNicol    Date: 16/06/2021    Approved By: John Stokes    Date: 16/06/2021  
 Rev. No: 0    Date Implemented: 16/06/2021

<b>GREASE:</b>		
	Driveshaft splines and universal joints (HAND GUN ONLY) (DO NOT USE MINE GREASE)	LS
	Universal joints	LS
	Articulation hitch bearings	LS
	Fill bulk auto grease tank	LS

<b>1000 HR MECHANICAL CHECK:</b>				
<b>KEY FOR COLUMNS:</b>				
1. Defect found and repaired 2. Defect on machine, machine still OK 3. OK 4. Not applicable				
<b>CHECK:</b>	1	2	3	4
Condition and tension of V belts			/	
Suspension Condition			/	
Suspension mounting bolts including A-Frame Bolts			/	
Universal joints for wear			/	
Articulation hitch bearing for movement			/	
Articulation cylinder pin wear			/	
Operation of hydraulic controls			/	
Air conditioner – condition and operation			/	
Frame and attachments for cracks			/	
Fuel system for loose bolts and fittings			/	
Fuel line supply support clamps			/	
Hydraulic system for damaged lines and loose fittings			/	
All hoses for general conditions and chaffing			/	
Cooling system hoses for conditions and clamps for tightness			/	
Induction system for leaks and clamps for tightness			/	
Engine mounts			/	
Transmission mounts			/	
Exhaust system for leaks, clamps and bolts for tightness			/	
Radiator for debris (wash if necessary)			/	
Engine shutdown system			/	
Operation of park brake interlock			/	
All points are receiving grease			/	

*Note: The electronic copy of this document is controlled. To ensure that other copies of this document are current, check the revision number and date against the compliance management database, Qudos*

**Prepared By:** David McNicol    **Date:** 16/06/2021    **Approved By:** John Stokes    **Date:** 16/06/2021  
**Rev. No:** 0    **Date Implemented:** 16/06/2021



**CHECK TYRE PRESSURES :**

	POS 1	POS 2	POS 3
Actual:	65 PSI	65 PSI	65 PSI.
Adjusted:			
	POS 4	POS 5	POS 6
Actual:	65 PSI	65 PSI	65 PSI.
Adjusted:			

**SAFETY CHECK TO BE CARRIED OUT EVERY SERVICE**

**NOTE:** Boxes A - F are to be initialled by person carrying out safety checks.

Every person carrying out these checks **must** also sign off Safety Check Sheet before the end of each shift.

**KEY:**

- A. **Machine is not safe**, defect must be repaired
- B. Defect found, authorisation required before returning to work
- C. Defect found and recorded, machine safe to operate
- D. Defect found and repaired
- E. OK
- F. Not applicable

CHECK:	A	B	C	D	E	F
Service brake operation stall test (SPEC: must hold at 1200 RPM)					/	
Emergency brake test (SPEC: must hold at 1200 RPM)					/	
Park brake operation test (SPEC: must hold at 1200 RPM)					/	
Retarder operation					/	
Steering operation					/	
Emergency steering operation					/	
Seats – suspension adjustment/condition					/	
Seat belt – retainers and operation					/	
Doors					/	
Windows					/	
Mirrors					/	
Cab condition					/	
Horns – air and electric					/	
Wipers					/	
Washer bottle full					/	

*Note: The electronic copy of this document is controlled. To ensure that other copies of this document are current, check the revision number and date against the compliance management database, Qudos*

Prepared By: David McNicol    Date: 16/06/2021    Approved By: John Stokes    Date: 16/06/2021  
 Rev. No: 0    Date Implemented: 16/06/2021

CHECK:	A	B	C	D	E	F
Gauges					/	
Audible alarm and warning lights					/	
Lights					/	
Reverse alarm					/	
Operation of emergency stops					/	
Two way radio operation					/	
Grab rails					/	
Tyre condition					/	
Wheel nuts					/	
Pin retainers					/	
Fuel leaks					/	
Accumulation of fuel, oil, grease etc. that may cause fire hazard					/	
Steps					/	
Fire extinguishers – check date and condition					/	

*Note: The electronic copy of this document is controlled. To ensure that other copies of this document are current, check the revision number and date against the compliance management database, Qudos*

**Prepared By:** David McNicol    **Date:** 16/06/2021    **Approved By:** John Stokes    **Date:** 16/06/2021  
**Rev. No:** 0    **Date Implemented:** 16/06/2021



Date	Work Description	Plant No	Work Type
13/12/22	Comission for work- mine radio/ stickers/ inspect	AT753	MF - Maintenance Fitter
14/12/22	Comission, extinguisher bracket, cert form	AT753	MF - Maintenance Fitter
14/12/22	Bracket for fire extinguisher	AT753	MF - Maintenance Fitter
14/12/22	Check oil level, top up found input seal leaking	AT753	MF - Maintenance Fitter
07/02/23	Wash AT753	AT753	MF - Maintenance Fitter
07/02/23	250hr Service	AT753	MF - Maintenance Fitter
07/02/23	Service	AT753	MF - Maintenance Fitter
29/03/23	wash service- bring to workshop	AT753	MF - Maintenance Fitter
30/03/23	Movement checks	AT753	MF - Maintenance Fitter
30/03/23	500hr service	AT753	MF - Maintenance Fitter
30/03/23	500hr service and check pver	AT753	MF - Maintenance Fitter
20/04/23	Transmission fault	AT753	MF - Maintenance Fitter
20/04/23	Transmission faults contact volvo	AT753	MF - Maintenance Fitter
20/04/23	Check Trans oil filters contact volvo	AT753	MF - Maintenance Fitter
21/04/23	Wash truck to go off site	AT753	MF - Maintenance Fitter
24/04/23	Load Truck	AT753	MF - Maintenance Fitter
01/05/23	Unlaod truck	AT753	MF - Maintenance Fitter
26/05/23	500hr service	AT753	MF - Maintenance Fitter
26/05/23	250hr service	AT753	MF - Maintenance Fitter
01/06/23	Straighten acess step	AT753	MF - Maintenance Fitter
26/06/23	Steering fault	AT753	MF - Maintenance Fitter
26/06/23	Fuel lift pump, rear dog bone	AT753	MF - Maintenance Fitter
12/07/23	Air leak	AT753	MF - Maintenance Fitter
14/07/23	Oil leak, rear of engine, remove air induction	AT753	MF - Maintenance Fitter
17/07/23	Oil leak	AT753	MF - Maintenance Fitter
25/07/23	1000hr service	AT753	MF - Maintenance Fitter
25/07/23	1000hr service	AT753	MF - Maintenance Fitter
13/09/23	250hr service	AT753	MF - Maintenance Fitter
15/09/23	Fit electric horn	AT753	MF - Maintenance Fitter
17/10/23	Change out POS 1 and 2 tyres	AT753	MF - Maintenance Fitter
17/10/23	Replace POS 1 and 2 tyres	AT753	MF - Maintenance Fitter
19/10/23	Decals on back	AT753	MF - Maintenance Fitter
19/10/23	Replace beacon	AT753	MF - Maintenance Fitter
25/10/23	500hr service	AT753	MF - Maintenance Fitter
21/11/23	Bonnet struts	AT753	MF - Maintenance Fitter
21/11/23	Replace bonnet struts	AT753	MF - Maintenance Fitter
31/01/24	Escort Warrin Mining- paperwork- parts	AT753	MC - Maintenance Co-Ordinator
16/02/24	Replace 4 work lights	AT753	MF - Maintenance Fitter
19/02/24	Perform 2000hr service	AT753	MF - Maintenance Fitter
19/02/24	2000hr service	AT753	MF - Maintenance Fitter
19/02/24	2000hr service	AT753	MF - Maintenance Fitter
02/04/24	250hr service	AT753	MF - Maintenance Fitter
02/04/24	250hr service	AT753	MF - Maintenance Fitter
21/05/24	500 hr service	AT753	MF - Maintenance Fitter
21/05/24	500hr service	AT753	MF - Maintenance Fitter
22/05/24	500hr service	AT753	MF - Maintenance Fitter
12/06/24	Bulk grease tank line	AT753	MF - Maintenance Fitter
24/06/24	Repair hyd leak	AT753	MC - Maintenance Co-Ordinator
01/07/24	Top up brake cooling oil	AT753	MF - Maintenance Fitter
05/07/24	250hr service	AT753	MF - Maintenance Fitter
30/07/24	Inspect seat	AT753	MF - Maintenance Fitter
09/08/24	Seat, seat satrutt, order parts	AT753	MF - Maintenance Fitter
12/08/24	Remove and replace seat strut	AT753	MC - Maintenance Co-Ordinator
14/08/24	Organise volvo trucks for warranty work	AT753	MF - Maintenance Fitter
16/08/24	Remove and replace bonnet strut	AT753	MF - Maintenance Fitter
29/08/24	Wash, 1000hr service	AT753	MF - Maintenance Fitter
03/10/24	Order parts for AT753, filter lists	AT753	MF - Maintenance Fitter
10/10/24	Top up fluid levels	AT753	MF - Maintenance Fitter
16/10/24	250Hr Service	AT753	MF - Maintenance Fitter

29/11/24	500 hour service	AT753	MF - Maintenance Fitter
29/11/24	500 hour service	AT753	MF - Maintenance Fitter
29/11/24	500 hour service	AT753	MF - Maintenance Fitter
17/01/25	Body support- bolts missing	AT753	MF - Maintenance Fitter
05/02/25	Top up brake cooling oil	AT753	MF - Maintenance Fitter
05/02/25	Brake cooling- oil level	AT753	MF - Maintenance Fitter
06/02/25	250hr service	AT753	MF - Maintenance Fitter
24/03/25	Perform 2000hr service	AT753	MF - Maintenance Fitter
24/03/25	2000hr service	AT753	MF - Maintenance Fitter
24/03/25	2000hr service	AT753	MF - Maintenance Fitter
02/04/25	Reoair light wiring	AT753	MF - Maintenance Fitter
12/05/25	Perform 250hr service	AT753	MF - Maintenance Fitter
12/05/25	250hr service	AT753	MF - Maintenance Fitter
25/06/25	perform 500hr service	AT753	MF - Maintenance Fitter
25/06/25	Service	AT753	MF - Maintenance Fitter
30/06/25	Brake fault	AT753	MF - Maintenance Fitter
03/07/25	Change out brake reverse filter	AT753	MF - Maintenance Fitter
03/07/25	Park brake fault	AT753	MF - Maintenance Fitter
23/07/25	Check over and test	AT753	MF - Maintenance Fitter
30/07/25	Park brake fault	AT753	MF - Maintenance Fitter
31/07/25	Brake charge pump fault	AT753	MF - Maintenance Fitter
31/07/25	Troubleshoot low brake pressure fault	AT753	MF - Maintenance Fitter
04/08/25	Remove pumps, brake charge, drain fluids, etc	AT753	MF - Maintenance Fitter
04/08/25	Srain hydraulic oil	AT753	MF - Maintenance Fitter
05/08/25	Install hyd pumps, hose, harness, pack up pump	AT753	MF - Maintenance Fitter
06/08/25	Fill hydraulic tank, run and test, clean belly gau	AT753	MF - Maintenance Fitter
03/09/25	Perform 250hr service	AT753	MF - Maintenance Fitter
03/09/25	250hr service	AT753	MF - Maintenance Fitter
03/09/25	250hr service	AT753	MF - Maintenance Fitter
22/09/25	Removed wiper motor	AT753	MF - Maintenance Fitter
22/09/25	Refit wiper motor/ remove	AT753	MF - Maintenance Fitter
24/09/25	Wiper motor/arm repairs assemble test	AT753	MF - Maintenance Fitter
24/09/25	Install assembly, test install to truck test	AT753	MF - Maintenance Fitter
08/10/25	Troubleshoot hyd fault	AT753	MF - Maintenance Fitter
08/10/25	Tub creeping	AT753	MF - Maintenance Fitter
08/10/25	Tested solenoids, (OK) removed spool clean refit	AT753	MF - Maintenance Fitter
08/10/25	Tested bypasson cylinders- Right cylinder bypassin	AT753	MF - Maintenance Fitter
10/10/25	Bolts on tailgate	AT753	MF - Maintenance Fitter
30/10/25	1000hr service	AT753	MF - Maintenance Fitter
30/10/25	1000hr service	AT753	MF - Maintenance Fitter
18/11/25	Check over, reverse camera, cert form	AT753	MF - Maintenance Fitter
	AT753- Reversing Camera not working (Blue Screen)		
	AT753- Wash and inspect for going off site		
	AT753- Remove hydraulic lift cylinder		
	AT753- Clean Hydraulic tank after cylinder failure		
	AT753- Flush out tank		
	AT753- Troubleshoot electrical fault- windscreen washers and horn circuit		
	AT753-Cycle hydraulics and change filters and clean magnetic screen		
	AT753- Load onto float demobe		

**Tyre and Rim Change**

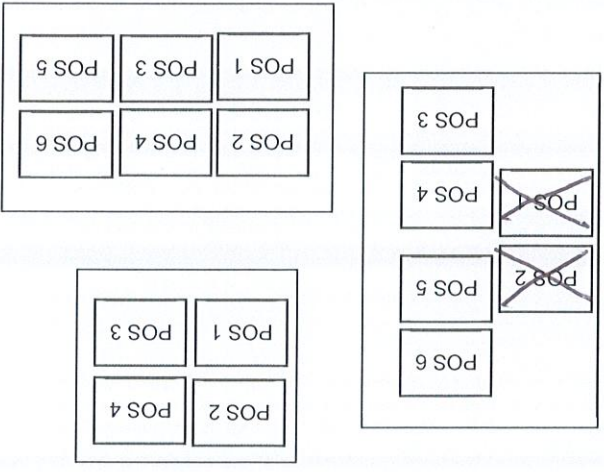
Plant ID: HT-753 Site: Docors Tyre Fitter: Dron+Dea Model: 16x10 H10G

Tyre Size: R9-SR-25 Hours: 14:2 hrs Kilometres: 171923 Date: 17/02/23

POS	Serial No.	Tread In	Tread Out	Rim No.	Make	Type	Spec	Service Code****	Removal Reason Code**	Action Code*
1	Z2YDK 0437	37	37		BRIDGESTONE	Room	V-STEEL		LORE	R0
2	Z2YDK 0438	38	37		BRIDGESTONE	Room	V-STEEL		LORE	R0
POS	New or Used	Serial No.	Tread In	Tread Out	Rim No.	Make	Type	Spec	Spec	Pressure
1	New	HT-8MDD 415	65	65		Yokohama	Room	R1-14		70 PSI
2	New	HT-8MDD 416	65	65		Yokohama	Room	R1-14		70 PSI

*Action Code		**Removal Reason Code	
A	Scrap	TCUT	Tread Rock cut & Penetration
B	Repair	IRRW	Irregular wear, spot wear, rapid wear
C	Further inspection	CBU	Ply cord/lacing break up
D	Return to mine site	SCUT	Sidewall/shoulder rock & penetration
E	Transfer to another site	BEAD	Bead burst, chaffer end separation, rim friction
F	Transfer from Supplier	FO	Foreign Object
G	Sold	ACCD	Fire, Chemical, rock ejector, loader bucket
H	Send for recap	SB	Shock burst, no evidence of rock cut
***Service Code			
		SCK	Buttress crack, radial crack at shoulder area
A	Tyre rotation	SWC	Sidewall crack
B	Vehicle Maintenance	RO	Run out
C	Due to rim problem	VIB	Pattern pitch vibration
D	Due to tyre problem	BDFT	Improper fitment
E	Due to air leak	NA	Not applicable
F	Tyre fitment	WO	Worn Out
G	Other reason		

**Tyre and Rim Positions:**



Note: The electronic copy of this document is controlled. To ensure that other copies of this document are current, check the revision number and date against the compliance management database. Qudos  
 Prepared By: David McNicol Date: 03/02/2020 Approved By: John Stokes Date: 03/02/2020  
 Rev. No: 2 Date Implemented: 03/02/2020