

Accident Prevention
 Read and understand safety warning in the operation and maintenance manual
 Have you completed a take 2?
 Have your job circumstances change since completing your take 2?

AT-745

AT745 740 Articulated Dump Truck 250 Hour Service Sheet

Date:	<i>09/10/25</i>	Name:	<i>DION ROBERTS</i>		
Serial No#	<i>B1P00774</i>	Service Type:	<i>250 Hour</i>	Machine Hours:	<i>18,726 HRS</i>
<input checked="" type="checkbox"/>	Machine has been cleaned prior to commencement of service?				
<input checked="" type="checkbox"/>	Machine has been positioned on flat level ground				
<input checked="" type="checkbox"/>	All implements have been lowered				
<input checked="" type="checkbox"/>	Machine has been isolated and locked out				

Compartment	Oil Type	Oil Amount (Litres)
Engine	15W-40	40 Litres
Filter List	Qty	Part Numbers
Engine Oil Filter	1	1R-1808
Fuel Filter	1	1R-0762
Fuel Filter Water Separator	1	326-1644
Engine Air Filter Primary	1	142-1340
Cab Air Filter	1	268-6704
Cab Air Filter	1	259-3222
SOS Sample	2	SOS003

Note: The electronic copy of this document is controlled. To ensure that other copies of this document are current, check the revision number and date against the compliance management database, Qudos

Prepared By: David McNicol Date: 16/06/2021 Approved By: John Stokes Date: 16/06/2021
 Rev. No: 4 Date Implemented: 16/06/2021



250 HOUR LUBE SERVICE

SAMPLE		INITIALS
	Engine	<i>JS</i>
	Transmission	<i>JS</i>
CHANGE		
	Engine oil	<i>JS</i>
	Engine oil filters	<i>JS</i>
	Fuel filters	<i>JS</i>
	Primary air filter	<i>JS</i>
	Cab air conditioner filters	<i>JS</i>
CLEAN		
	Engine breather	<i>JS</i>
	Primary fuel screen	<i>JS</i>
	Transmission screens	<i>JS</i>
	Transmission breather	<i>JS</i>
	Differential housing breather	<i>JS</i>
	Batteries and terminals	<i>JS</i>
	Drain water and sediment from fuel tank	<i>JS</i>
CHECK		
	Differential oil levels	<i>JS</i>
	Transfer gear oil	<i>JS</i>
	Transmission oil Level	<i>JS</i>
	Final drive oil P1	<i>JS</i>
	Final drive oil P2	<i>JS</i>
	Final drive oil P3	<i>JS</i>
	Final drive oil P4	<i>JS</i>
	Final drive oil P5	<i>JS</i>
	Final drive oil P6	<i>JS</i>
	Front wheel hub oil levels	<i>JS</i>
	Hoist & braking system oil	<i>JS</i>
	Steering system oil	<i>JS</i>
	Coolant level	<i>JS</i>
GREASE		
	Fill bulk auto grease tank	

Note: The electronic copy of this document is controlled. To ensure that other copies of this document are current, check the revision number and date against the compliance management database, Qudos

Prepared By: David McNicol Date: 16/06/2021 Approved By: John Stokes Date: 16/06/2021
Rev. No: 4 Date Implemented: 16/06/2021

250HR MECHANICAL CHECK:

1. **Machine is not safe**, defect must be repaired
2. Defect found and recorded; machine safe to operate
3. Defect found and repaired
4. OK
5. Not applicable

CHECK:		1	2	3	4	5
	Condition and tension of V belts			✓		
	Suspension Condition			✓		
	Suspension mounting bolts including A-Frame bolts			✓		
	Battery cable			✓		
	Universal joints for wear			✓		
	Articulation hitch bearing for movement			✓		
	Articulation cylinder pin wear			✓		
	Operation of hydraulic controls			✓		
	Air conditioner – condition and operation			✓		
	Belt and tensioner			✓		
	Frame and attachments for cracks			✓		
	Fuel system for damaged lines and loose fittings			✓		
✓	Fuel line for damaged lines and loose fittings			✓		
✓	Hydraulic system for damaged lines and loose fittings			✓		
✓	All hoses for general condition and chaffing			✓		
	Cooling system hoses for damaged lines and loose fittings/clamps			✓		
✓	Induction system for damaged lines and loose fittings/clamps			✓		
	Visual Check of Engine mounts			✓		
	Visual Check of Transmission mounts			✓		
	Exhaust system for leaks, clamps and bolts for tightness			✓		
	Radiator for debris (wash if necessary)			✓		
	Engine shutdown system			✓		
	Suspension cylinder heights (adjust if necessary)			✓		
	All points are receiving grease			✓		
	Park brake accumulator pressure (1400PSI)			✓		
	Service brake accumulator pressure (810 PSI)			✓		
	Emergency steering pump			✓		

Note: The electronic copy of this document is controlled. To ensure that other copies of this document are current, check the revision number and date against the compliance management database, Qudos

Prepared By: David McNicol Date: 16/06/2021 Approved By: John Stokes Date: 16/06/2021
 Rev. No: 4 Date Implemented: 16/06/2021

TYRE PRESSURES			
	POS 1	POS 2	POS 3
Actual:	65 PSI	65 PSI	60 PSI
Spec:	60 PSI	60 PSI	60 PSI
	POS 4	POS 5	POS 6
Actual:	60 PSI	60 PSI	60 PSI
Spec:	60 PSI	60 PSI	60 PSI

SAFETY CHECK TO BE CARRIED OUT EVERY SERVICE					
<p>NOTE: Boxes A - F are to be initialled by person carrying out safety checks.</p> <p>Every person carrying out these checks must also sign off Safety Check Sheet before the end of each shift.</p>					
<ol style="list-style-type: none"> 1. Machine is not safe, defect must be repaired 2. Defect found and recorded; machine safe to operate 3. Defect found and repaired 4. OK 5. Not applicable 					
CHECK:	1	2	3	4	5
Service brake operation stall test (SPEC: must hold at 1200 RPM)				✓	
Park brake operation test (SPEC: must hold at 1200 RPM)				✓	
Retarder operation				✓	
Steering operation				✓	
Emergency steering operation				✓	
Seats – suspension adjustment/condition				✓	
Seat belt – retainers and operation				✓	
Lights & Alarm				✓	
Doors				✓	
Windows				✓	
Mirrors				✓	
Cab condition				✓	
Electric Horn				✓	
Wipers				✓	
Washer bottle full				✓	

Note: The electronic copy of this document is controlled. To ensure that other copies of this document are current, check the revision number and date against the compliance management database, Qudos

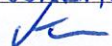
Prepared By: David McNicol Date: 16/06/2021 Approved By: John Stokes Date: 16/06/2021
 Rev. No: 4 Date Implemented: 16/06/2021

	Integrated Management System	Quality Form	Document No.MAF0089	730 / 740 Articulated Dump Truck 500 Hour Service Sheet	Page 6 of 6
---	------------------------------	--------------	---------------------	---	-------------

Note: The electronic copy of this document is controlled. To ensure that other copies of this document are current, check the revision number and date against the compliance management database, Qudos

Prepared By: David McNicol **Date:** 16/06/2021 **Approved By:** John Stokes **Date:** 16/06/2021
Rev. No: 4 **Date Implemented:** 16/06/2021

PLANT AND EQUIPMENT MAINTENANCE AND REPAIR REPORT

Date:	18-5-23
Plant:	AT745 CAT MOXY 740
Plant No:	
Registration No:	
Location:	DOUGLAS
Machine Hours / Kilometres:	
Routine Maintenance or Service:	Yes/No <input checked="" type="radio"/> No
Maintenance Service Interval:Hours / Kilometers
Type of Repair Work:	Major/Minor
Details of Work:	C/O WATER PUMP + THERMOSTATS REPLACE HEATER HOSSING RE-FILL WITH WATER
Further Work Required:	Yes/No
Reported To:	
Hazard Inspection Carried Out:	Yes/No
List potential mechanical faults or obvious hazards:	
Report Completed By:	JORDAN TORRI
Signature:	
Date:	18-5-23

Note: The electronic copy of this document is controlled. To ensure that other copies of this document are current, check the revision number and date against the compliance management database, Qudos

Date	Work Description	Plant No	Work Type
31/07/20	AT745 - level 3 alarm fault codes	AT745	Plant Maintenance Labour
24/08/20	AT745 - electrical fault	AT745	Plant Maintenance Labour
24/08/20	AT745 - wash	AT745	Plant Maintenance Labour
24/08/20	AT745 - check over	AT745	Plant Maintenance Labour
08/09/20	AT745 - c/o pos 4 tyre	AT745	Plant Maintenance Labour
08/09/20	AT745 - c/o pos 4 tyre	AT745	Plant Maintenance Labour
08/09/20	AT745 - pos 4 tyre	AT745	Plant Maintenance Labour
10/09/20	AT745 - gear shifter repairs	AT745	Plant Maintenance Labour
11/09/20	AT745 - wash, samples & movement checks	AT745	Plant Maintenance Labour
11/09/20	AT745 - wash, samples & movement checks	AT745	Plant Maintenance Labour
11/09/20	AT745 - R&R hyd hose	AT745	Plant Maintenance Labour
14/09/20	AT745 - hoses & defects	AT745	Plant Maintenance Labour
15/09/20	AT745 - boost hose, wash & defects	AT745	Plant Maintenance Labour
15/10/20	AT745 - get ready for demob	AT745	Plant Maintenance Labour
21/04/21	AT745 - remove tub pins	AT745	Plant Maintenance Labour
21/04/21	AT745 - raise tub	AT745	Plant Maintenance Labour
21/04/21	AT745 - lift tub	AT745	Plant Maintenance Labour
21/04/21	Wash AT745	AT745	Plant Maintenance Labour
22/04/21	AT745 - wash & detail cabin	AT745	Plant Maintenance Labour
22/04/21	AT745 - parts	AT745	Plant Maintenance Labour
23/04/21	AT745 - remove pos 6 wheel	AT745	Plant Maintenance Labour
23/04/21	AT745 - remove pos 6 wheel	AT745	Plant Maintenance Labour
26/04/21	AT745 - refit pos 6	AT745	Plant Maintenance Labour
04/05/21	Remove drive shaft, sway bar & repair defects	AT745	MF - Maintenance Fitter
06/05/21	Tub pins, bushes & fit dog bones & drive shafts	AT745	MF - Maintenance Fitter
06/05/21	Fit pins & bushes to tub & defects	AT745	MF - Maintenance Fitter
07/05/21	Remove steer cylinder & bumper	AT745	MF - Maintenance Fitter
07/05/21	Defects	AT745	MC - Maintenance Co-Ordinator
07/05/21	Remove steer cylinder, bonnet, starter & suction	AT745	MF - Maintenance Fitter
10/05/21	Alternator, tensioner, starter motor & bonnet	AT745	MF - Maintenance Fitter
10/05/21	Defect repairs	AT745	MC - Maintenance Co-Ordinator
10/05/21	Steer cylinder, c/o hoses & starter motor	AT745	MF - Maintenance Fitter
11/05/21	AT745 - adjust bonnet, pins in cab, ash & load	AT745	MF - Maintenance Fitter
11/05/21	Adjust bonnet, detail & load	AT745	MF - Maintenance Fitter
12/05/21	Wash, detail inside & load onto float	AT745	MF - Maintenance Fitter
12/05/21	Wire Camera	AT745	MF - Maintenance Fitter
18/05/21	Engine oil samples & check level	AT745	MF - Maintenance Fitter
08/06/21	Jump start	AT745	MF - Maintenance Fitter
09/06/21	Shock and tyre outfit	AT745	MF - Maintenance Fitter
09/06/21	Tyre fit out	AT745	MF - Maintenance Fitter
10/06/21	AT745 wouldn't start	AT745	MF - Maintenance Fitter
11/06/21	New Batteries in AT745	AT745	MF - Maintenance Fitter
17/06/21	Tub Fault and no indicators	AT745	MF - Maintenance Fitter
18/06/21	Oil leak	AT745	MF - Maintenance Fitter
21/06/21	Hose and O ring plates defects	AT745	MF - Maintenance Fitter
21/06/21	Remove damaged steel pipe	AT745	MF - Maintenance Fitter
22/06/21	Check Leaks	AT745	MF - Maintenance Fitter
06/07/21	Service	AT745	MF - Maintenance Fitter
06/07/21	Service	AT745	MF - Maintenance Fitter
07/07/21	250 hour service	AT745	MF - Maintenance Fitter
07/07/21	Service -check over oil leak	AT745	MF - Maintenance Fitter
07/07/21	Service	AT745	MF - Maintenance Fitter
08/07/21	Tyre change over	AT745	MF - Maintenance Fitter
08/07/21	Tyre	AT745	MF - Maintenance Fitter
12/07/21	Locate oil leak	AT745	MF - Maintenance Fitter
13/07/21	Repair Camera	AT745	MF - Maintenance Fitter
14/07/21	Fit new hoist pump	AT745	MF - Maintenance Fitter
15/07/21	Finish Hoist pump, wash and fit gaurds	AT745	MF - Maintenance Fitter
19/07/21	Repairs	AT745	MF - Maintenance Fitter
19/07/21	Check hoist operation and pressures	AT745	MF - Maintenance Fitter
19/07/21	Check hoist pressures	AT745	MF - Maintenance Fitter
19/07/21	Cert forms	AT745	MF - Maintenance Fitter
20/07/21	Repair Head lights	AT745	MF - Maintenance Fitter

21/07/21	Indicator fault	AT745	MF - Maintenance Fitter
21/07/21	Repair Indicator wiring and fit flasher	AT745	MF - Maintenance Fitter
22/07/21	Defects	AT745	MF - Maintenance Fitter
22/07/21	Defects	AT745	MF - Maintenance Fitter
22/07/21	Reassemble Cab maintenance check	AT745	MF - Maintenance Fitter
02/08/21	Defects hydraulic hose /fire hydrant	AT745	MF - Maintenance Fitter
02/08/21	Defects/replace mirrors	AT745	MF - Maintenance Fitter
03/08/21	Defects	AT745	MF - Maintenance Fitter
02/09/21	Park Brake repair	AT745	MF - Maintenance Fitter
06/09/21	Tyre Pressures, brakes (pressure test)	AT745	MF - Maintenance Fitter
08/09/21	Brake defects	AT745	MF - Maintenance Fitter
08/09/21	Park Brake fault	AT745	MC - Maintenance Co-Ordinator
21/09/21	Tailgate removal	AT745	MF - Maintenance Fitter
21/09/21	Remove tailgate	AT745	MC - Maintenance Co-Ordinator
10/11/21	Brake Pressure fault	AT745	MC - Maintenance Co-Ordinator
11/11/21	Accumulators	AT745	MF - Maintenance Fitter
11/11/21	Brake Accumulators	AT745	MC - Maintenance Co-Ordinator
30/11/21	Brake fault	AT745	MC - Maintenance Co-Ordinator
01/12/21	Brake faults	AT745	MF - Maintenance Fitter
01/12/21	Brake fault	AT745	MC - Maintenance Co-Ordinator
13/12/21	Adjust tyre pressure	AT745	MC - Maintenance Co-Ordinator
22/12/21	Coolant leak and wash	AT745	MF - Maintenance Fitter
22/12/21	Engine overheating/coolant leak	AT745	MC - Maintenance Co-Ordinator
19/01/22	top up coolant, oil leak	AT745	MC - Maintenance Co-Ordinator
31/01/22	1000hr service	AT745	MF - Maintenance Fitter
31/01/22	1000hr service	AT745	MF - Maintenance Fitter
31/01/22	1000hr service	AT745	MC - Maintenance Co-Ordinator
01/02/22	Service	AT745	MF - Maintenance Fitter
07/02/22	Fit tailgate	AT745	MF - Maintenance Fitter
07/02/22	Fit Tail gate	AT745	MF - Maintenance Fitter
07/02/22	Tail Gate, Drill out, Broken Bolts	AT745	LMF - Labour Maintenance Fitter
14/02/22	Pos 4 tyre	AT745	MF - Maintenance Fitter
16/02/22	Inspect for low coolant+ moisture on dipstick	AT745	MF - Maintenance Fitter
16/02/22	check levels-found low coolant and oil level high	AT745	MF - Maintenance Fitter
16/02/22	Water in oil	AT745	MF - Maintenance Fitter
17/02/22	Drain eng oil, change filter, fill eng oil	AT745	MF - Maintenance Fitter
17/02/22	Rising engine oil	AT745	MF - Maintenance Fitter
23/02/22	Pressure coolant+ drop belly gaurds/ remove rocker	AT745	MF - Maintenance Fitter
23/02/22	Collent in oil	AT745	MF - Maintenance Fitter
24/02/22	Drain fluids/ remove all parts associated oil cool	AT745	MF - Maintenance Fitter
24/02/22	Remove all parts associate with the water pump	AT745	MF - Maintenance Fitter
24/02/22	Clean all removed parts	AT745	MF - Maintenance Fitter
02/03/22	c/o thermostats assemble housing ready to fit	AT745	MF - Maintenance Fitter
03/03/22	Fit water pump	AT745	MF - Maintenance Fitter
03/03/22	Fit thermostat housing/ fit oil filter	AT745	MF - Maintenance Fitter
03/03/22	Finish fitting removed parts	AT745	MF - Maintenance Fitter
04/03/22	Check levels, accumulator, topped up pressures	AT745	MF - Maintenance Fitter
04/03/22	Finish off repairs/ Pre start accumulator pressure	AT745	MF - Maintenance Fitter
04/03/22	Service	AT745	MF - Maintenance Fitter
11/03/22	C/o Tyre	AT745	MF - Maintenance Fitter
11/03/22	c/o pos 6 tyre	AT745	MF - Maintenance Fitter
11/03/22	P6 tyre	AT745	MF - Maintenance Fitter
11/03/22	Pos 6 tyre	AT745	MC - Maintenance Co-Ordinator
18/03/22	Replace brake switch/ wrong switch ordered refit	AT745	MF - Maintenance Fitter
18/03/22	Park Brake alarm	AT745	MC - Maintenance Co-Ordinator
23/03/22	Assist with hoist raise fault	AT745	MF - Maintenance Fitter
23/03/22	Hoist raise fault	AT745	MF - Maintenance Fitter
23/03/22	Hoist fault	AT745	MC - Maintenance Co-Ordinator
24/03/22	hydraulic leak on hoist housing	AT745	MF - Maintenance Fitter
25/03/22	Replacing leaking hydraulic hose	AT745	MC - Maintenance Co-Ordinator
29/03/22	Check and top up brke accumulators	AT745	MF - Maintenance Fitter
29/03/22	Park brake alarm	AT745	MC - Maintenance Co-Ordinator
30/03/22	Rectify brake fault	AT745	MF - Maintenance Fitter
30/03/22	C/o brake pressure switch	AT745	MF - Maintenance Fitter

30/03/22	Brake alarm fault	AT745	MF - Maintenance Fitter
30/03/22	Park brake issue	AT745	MC - Maintenance Co-Ordinator
31/03/22	Remove brake charge relief, clean and refit	AT745	MF - Maintenance Fitter
31/03/22	Park brake issue	AT745	MF - Maintenance Fitter
04/04/22	Fuel gauge	AT745	MF - Maintenance Fitter
11/04/22	C/O fuel sender	AT745	MF - Maintenance Fitter
19/04/22	Dismantle & Inspect	AT745	LMF - Labour Maintenance Fitter
19/04/22	Dismantle Lift Cylinder	AT745	LMF - Labour Maintenance Fitter
27/04/22	Recondition Lift Cylinder	AT745	LMF - Labour Maintenance Fitter
06/05/22	Rectify broken RH Tailgate chain	AT745	MF - Maintenance Fitter
06/05/22	Repair tailgate chains	AT745	MF - Maintenance Fitter
16/05/22	Reset Strut heights	AT745	MF - Maintenance Fitter
16/05/22	New tyres PS 1/2 move POS 1/2 to 3/4	AT745	MF - Maintenance Fitter
16/05/22	set front strut heights and tyres	AT745	MF - Maintenance Fitter
16/05/22	Tyres P1 and P2 and P3and P4	AT745	MF - Maintenance Fitter
16/05/22	Tyres P2 and P4	AT745	MF - Maintenance Fitter
16/05/22	Pos 1 strut- tyres	AT745	MC - Maintenance Co-Ordinator
19/05/22	Inspect for damage to tailgate	AT745	MF - Maintenance Fitter
19/05/22	Bent tail gate	AT745	MC - Maintenance Co-Ordinator
20/05/22	Remove damaged tailgate & Pivot arms	AT745	MF - Maintenance Fitter
20/05/22	Remove Damaged Tailgate and Arms	AT745	MF - Maintenance Fitter
20/05/22	Remove Tail gate	AT745	MC - Maintenance Co-Ordinator
08/06/22	Check and adjust front strut heights	AT745	MF - Maintenance Fitter
08/06/22	Emergency Stop repairs	AT745	MF - Maintenance Fitter
08/06/22	Adjust Strut heights	AT745	MC - Maintenance Co-Ordinator
08/06/22	Electrical issue/ Emergency Stop	AT745	MC - Maintenance Co-Ordinator
16/06/22	Strut fault	AT745	MF - Maintenance Fitter
17/06/22	P1 strut Removal	AT745	MF - Maintenance Fitter
17/06/22	P1 Strut repair	AT745	MF - Maintenance Fitter
20/06/22	Dissassemble suspension cylinder	AT745	MF - Maintenance Fitter
21/06/22	Install seals and weak sleeves	AT745	MF - Maintenance Fitter
21/06/22	Install seals onto pistonand fill with oil	AT745	MF - Maintenance Fitter
22/06/22	Install wheel, torque wheel nuts, charg cylinder	AT745	MF - Maintenance Fitter
22/06/22	P1 Strut Replace	AT745	MF - Maintenance Fitter
22/06/22	Suspension cylinder	AT745	MC - Maintenance Co-Ordinator
23/06/22	Pos 1 Strut Repair Engine Brake	AT745	LMF - Labour Maintenance Fitter
28/06/22	Strut Repairs	AT745	LMF - Labour Maintenance Fitter
28/06/22	Noise in Front Strut	AT745	LMF - Labour Maintenance Fitter
30/06/22	Trans Fault & Power Fault	AT745	LMF - Labour Maintenance Fitter
30/06/22	Electrical/Trans Faults	AT745	MC - Maintenance Co-Ordinator
01/07/22	C/O Low power fault	AT745	MF - Maintenance Fitter
11/07/22	250hr service	AT745	MF - Maintenance Fitter
11/07/22	Grease lines on Moxly	AT745	MF - Maintenance Fitter
11/07/22	Service	AT745	MF - Maintenance Fitter
11/07/22	Service	AT745	MC - Maintenance Co-Ordinator
26/07/22	No start- cut out	AT745	MF - Maintenance Fitter
17/08/22	Engine cut out - no start	AT745	MC - Maintenance Co-Ordinator
31/08/22	Spindal Repairs	AT745	LMF - Labour Maintenance Fitter
06/09/22	POS 6 Final drive and wheel end	AT745	MF - Maintenance Fitter
06/09/22	Wheel end repair	AT745	MF - Maintenance Fitter
06/09/22	Wheel end repair	AT745	MF - Maintenance Fitter
07/09/22	Hub reseal	AT745	MF - Maintenance Fitter
09/09/22	P4 Hub Repair	AT745	MF - Maintenance Fitter
09/09/22	Wheel end	AT745	MC - Maintenance Co-Ordinator
09/09/22	C/O P4 Final	AT745	MF - Maintenance Fitter
13/09/22	No Start	AT745	MF - Maintenance Fitter
14/09/22	Final Drive Repairs	AT745	MF - Maintenance Fitter
21/09/22	Troubleshoot Taco repairs/ hyd tank needs repair	AT745	MF - Maintenance Fitter
21/09/22	Troubleshoot Hyd Tank & Guage Faults	AT745	LMF - Labour Maintenance Fitter
26/09/22	Check Over	AT745	LMF - Labour Maintenance Fitter
26/09/22	Inspect and remove damaged grease line	AT745	MF - Maintenance Fitter
26/09/22	Service	AT745	MF - Maintenance Fitter
26/09/22	Service/ defects	AT745	MC - Maintenance Co-Ordinator
26/09/22	Service/ defects	AT745	MF - Maintenance Fitter

27/09/22	Defectss	AT745	MF - Maintenance Fitter
27/09/22	Assist in Hyd tank disassemble/ C/o grease line	AT745	MF - Maintenance Fitter
27/09/22	Brake cooling hoses	AT745	MF - Maintenance Fitter
27/09/22	Defects oil tank	AT745	MF - Maintenance Fitter
28/09/22	Defects Hyd tank	AT745	MF - Maintenance Fitter
28/09/22	Inspect Machinefor oil leak/ remove belly guard	AT745	MF - Maintenance Fitter
28/09/22	Remove broken bolts from guard frame	AT745	MF - Maintenance Fitter
28/09/22	Defects	AT745	MF - Maintenance Fitter
29/09/22	Hydraulic tank defects	AT745	MF - Maintenance Fitter
29/09/22	Hydraulic tank repairs	AT745	MF - Maintenance Fitter
30/09/22	C/O dash and display, test -all ok	AT745	MF - Maintenance Fitter
03/10/22	Plumb hyd tank and fit batteries	AT745	MF - Maintenance Fitter
03/10/22	Fit all walkway and reseal trans fill tube, plate	AT745	MF - Maintenance Fitter
03/10/22	Complete service C/O RHS brake cooling	AT745	MF - Maintenance Fitter
03/10/22	Drain cooling pipe	AT745	MF - Maintenance Fitter
04/10/22	Wash/ finish service/ Gas accum/ steering column	AT745	MF - Maintenance Fitter
04/10/22	Defects	AT745	MF - Maintenance Fitter
25/10/22	Check over cooling system	AT745	MF - Maintenance Fitter
27/10/22	Troubleshoot coolant fault/ pressure test run.	AT745	MF - Maintenance Fitter
27/10/22	Assist in check over for oil in coolant	AT745	MF - Maintenance Fitter
28/10/22	Make up plates, pressure test cooler, cooler parts	AT745	MF - Maintenance Fitter
31/10/22	Clean up parts	AT745	MF - Maintenance Fitter
31/10/22	Install cooler, run and test/ install belly guards	AT745	MF - Maintenance Fitter
02/11/22	Wash	AT745	MF - Maintenance Fitter
03/11/22	Drain out old water inspect for contamination	AT745	MF - Maintenance Fitter
07/11/22	Wash dismantled Guard	AT745	MF - Maintenance Fitter
08/11/22	Run up and add cooling flush	AT745	MF - Maintenance Fitter
05/12/22	Suspension check over	AT745	MF - Maintenance Fitter
06/12/22	C/O front driveshaft unis and tension refit shaft	AT745	MF - Maintenance Fitter
06/12/22	Unis joints	AT745	MF - Maintenance Fitter
08/12/22	Movement checks	AT745	MF - Maintenance Fitter
08/12/22	Movement checks and tension suspension check	AT745	MF - Maintenance Fitter
16/01/23	Change out exhaust rubbers/ take for test drive	AT745	MF - Maintenance Fitter
17/01/23	Inspect seat power/ Troubleshoot brake pressure	AT745	MF - Maintenance Fitter
18/01/23	Brake fault	AT745	MF - Maintenance Fitter
18/01/23	Brake fault	AT745	MF - Maintenance Fitter
19/01/23	brake valve sensor/ cab/ covers and test	AT745	MF - Maintenance Fitter
19/01/23	Brake fault	AT745	MF - Maintenance Fitter
20/01/23	C/O brake pump and test/ test drive and pressure	AT745	MF - Maintenance Fitter
31/01/23	Dizgnose brake fault	AT745	MF - Maintenance Fitter
31/01/23	Test brake pressures- all in spec	AT745	MF - Maintenance Fitter
08/02/23	Inspect in pit for fault found low brake pump	AT745	MF - Maintenance Fitter
17/02/23	Wash out condensor	AT745	MF - Maintenance Fitter
04/04/23	Mud flaps	AT745	MF - Maintenance Fitter
04/04/23	Rectfiy Hyd oil leak in engine bay	AT745	MF - Maintenance Fitter
18/04/23	Seat fault	AT745	MF - Maintenance Fitter
20/04/23	Mirror	AT745	MF - Maintenance Fitter
24/04/23	Travel to hopetoun- pick up seat	AT745	MF - Maintenance Fitter
26/04/23	Remove old/ fit new seat	AT745	MF - Maintenance Fitter
08/05/23	250hr service	AT745	MF - Maintenance Fitter
08/05/23	Wash for service/ movement checks	AT745	MF - Maintenance Fitter
08/05/23	250 service	AT745	MF - Maintenance Fitter
16/05/23	Not starting, fault ground level shut down off	AT745	LMF - Labour Maintenance Fitter
17/05/23	Inspect for coolant leak, heater hose split	AT745	MF - Maintenance Fitter
18/05/23	Pump coolant/ water remove thermostat housing/ exh	AT745	MF - Maintenance Fitter
18/05/23	Fit exhaust and fill with water	AT745	MF - Maintenance Fitter
25/05/23	C/O park brake switch from AT744 to AT745	AT745	MF - Maintenance Fitter
01/06/23	fit new bonnet acuator	AT745	MF - Maintenance Fitter
27/06/23	Install mising window latch	AT745	MF - Maintenance Fitter
14/07/23	Low guards and take to compass powder coating	AT745	MF - Maintenance Fitter
02/08/23	Troubleshoot engine fault- Turbo carrier	AT745	MF - Maintenance Fitter
03/08/23	Inspect Turbo carrier, order parts	AT745	MF - Maintenance Fitter
07/08/23	Remove turbo charger	AT745	MF - Maintenance Fitter
07/08/23	Clean parts, install reman turbo, run and test-ok	AT745	MF - Maintenance Fitter

08/08/23	Take truck to TSF to be washed	AT745	MF - Maintenance Fitter
08/08/23	Wash truck wash bay	AT745	MF - Maintenance Fitter
08/08/23	2000hr service	AT745	MF - Maintenance Fitter
09/08/23	2000hr service	AT745	MF - Maintenance Fitter
10/08/23	Install blindspot mirror, cab cover- filter	AT745	MF - Maintenance Fitter
10/08/23	Finish off service, fill finals, re-check levels	AT745	MF - Maintenance Fitter
10/08/23	pressure wash engine, finals, return to work	AT745	MF - Maintenance Fitter
22/08/23	Cert form/ defects	AT745	MF - Maintenance Fitter
22/08/23	Defects	AT745	MF - Maintenance Fitter
23/08/23	Body lift/ lower joystick surround replace	AT745	MF - Maintenance Fitter
25/08/23	Defects/ lights	AT745	MF - Maintenance Fitter
25/08/23	Replace lights	AT745	MF - Maintenance Fitter
06/09/23	Defects, change engine oil and filter	AT745	MF - Maintenance Fitter
06/09/23	Defects	AT745	MF - Maintenance Fitter
07/09/23	Defects, oil- cut filter open, no metal visible	AT745	MF - Maintenance Fitter
11/09/23	Defects	AT745	MF - Maintenance Fitter
19/09/23	Rmv guards	AT745	MF - Maintenance Fitter
20/09/23	Moxy guards, broken bolts	AT745	MF - Maintenance Fitter
20/09/23	Build guards	AT745	MF - Maintenance Fitter
21/09/23	Fab plates moxy guards, install	AT745	MF - Maintenance Fitter
21/09/23	Install guards	AT745	MF - Maintenance Fitter
05/10/23	C/O P1 and P2 tyres	AT745	MF - Maintenance Fitter
09/10/23	Replace Lift cylinder pins and bushes	AT745	MF - Maintenance Fitter
10/10/23	Replace Lift Cylinder Pins/Bushes	AT745	MF - Maintenance Fitter
11/10/23	Clean out filters	AT745	MF - Maintenance Fitter
12/10/23	AC Service	AT745	MF - Maintenance Fitter
21/11/23	Defects	AT745	MF - Maintenance Fitter
04/12/23	Clean up, order parts	AT745	MF - Maintenance Fitter
05/12/23	Replace battery isolator, tyre pressures, check	AT745	MF - Maintenance Fitter
15/12/23	Prime fuel/ Hoist hydraulic fault	AT745	MC - Maintenance Co-Ordinator
16/01/24	grease lines	AT745	MF - Maintenance Fitter
18/01/24	2000hr service	AT745	MF - Maintenance Fitter
29/01/24	Grease pins and Bushes	AT745	MF - Maintenance Fitter
01/02/24	Inspect oil leaks/ order parts	AT745	MC - Maintenance Co-Ordinator
06/02/24	Hub seal- remove tyre axle	AT745	MF - Maintenance Fitter
07/02/24	Assist with wheel end	AT745	MF - Maintenance Fitter
07/02/24	Wheel hub replacement	AT745	MF - Maintenance Fitter
20/02/24	Checkover	AT745	MF - Maintenance Fitter
05/04/24	Pos 5 tyre	AT745	MF - Maintenance Fitter
05/04/24	Pos 5 tyre	AT745	MF - Maintenance Fitter
23/04/24	Replace wipers	AT745	MC - Maintenance Co-Ordinator
01/05/24	Load wheel end, travel back to workshop	AT745	MF - Maintenance Fitter
01/05/24	Dissassemble final drive, wheel end/ spindal, etc	AT745	MF - Maintenance Fitter
02/05/24	250hr service	AT745	MF - Maintenance Fitter
02/05/24	Remove LH Cab panel	AT745	MC - Maintenance Co-Ordinator
03/05/24	Assemble final drive and spindal	AT745	MF - Maintenance Fitter
29/05/24	Tyre	AT745	MF - Maintenance Fitter
04/07/24	ove to wshop, check fitment of new cover	AT745	MF - Maintenance Fitter
04/07/24	Clean rust off old cover and paint	AT745	MF - Maintenance Fitter
24/07/24	Grind and clean and paint panel	AT745	MF - Maintenance Fitter
06/08/24	Defects, mirror, park brake inspect	AT745	MF - Maintenance Fitter
13/08/24	Certification form and check over	AT745	MC - Maintenance Co-Ordinator
14/08/24	Top up fluids	AT745	MF - Maintenance Fitter
14/08/24	Noise test hose	AT745	MF - Maintenance Fitter
15/08/24	Tub up pins	AT745	MF - Maintenance Fitter
15/08/24	Lift arms pins	AT745	MF - Maintenance Fitter
15/08/24	Upper lift ram not taking grease inspect pins, bea	AT745	MF - Maintenance Fitter
16/08/24	Tub cylinder bushes	AT745	MF - Maintenance Fitter
16/08/24	Fit new pin and grease	AT745	MF - Maintenance Fitter
07/09/24	Check over and top up coolant	AT745	MF - Maintenance Fitter
10/09/24	Inspect park brake/ adjust	AT745	MF - Maintenance Fitter
16/09/24	Order parts	AT745	MF - Maintenance Fitter
18/09/24	Replace hand brake actuator	AT745	MF - Maintenance Fitter
21/09/24	checkover	AT745	MF - Maintenance Fitter

10/10/24	Suspension bags c/o	AT745	MF - Maintenance Fitter
10/10/24	Suspension blocks	AT745	MF - Maintenance Fitter
10/10/24	Replace suspension blocks	AT745	MF - Maintenance Fitter
26/11/24	Perform 500hr service	AT745	MF - Maintenance Fitter
26/11/24	500hr service	AT745	MF - Maintenance Fitter
20/01/25	Hyd oil leaks	AT745	MF - Maintenance Fitter
20/01/25	Inspect for coolant leaks, topped up	AT745	MF - Maintenance Fitter
20/01/25	Diagnose oil leak repair	AT745	MF - Maintenance Fitter
23/01/25	Defect list	AT745	MF - Maintenance Fitter
19/02/25	Defects	AT745	MF - Maintenance Fitter
25/02/25	Repair oil leaks, hydraulic fan motor and pump	AT745	MF - Maintenance Fitter
26/02/25	Test and pressure wash engine, fan pump and motor	AT745	MF - Maintenance Fitter
17/03/25	Defects- top up fluids	AT745	MF - Maintenance Fitter
29/04/25	Hydraulic oil leak	AT745	MF - Maintenance Fitter
30/04/25	Repair hydraulic leak	AT745	MF - Maintenance Fitter
02/05/25	Hydraulic oil leaks- order parts	AT745	MF - Maintenance Fitter
07/05/25	Replace fan pump and heater taps	AT745	MF - Maintenance Fitter
16/05/25	Defects	AT745	MF - Maintenance Fitter
27/05/25	Jump Start on go line	AT745	MF - Maintenance Fitter
12/06/25	Inspect Hyd oil leak, steer cylinder	AT745	MF - Maintenance Fitter
12/06/25	Breakdown inspection	AT745	MF - Maintenance Fitter
13/06/25	Maintain hyd oil leaks and test	AT745	MF - Maintenance Fitter
16/06/25	Replace E-stop	AT745	MF - Maintenance Fitter
23/06/25	Machine defects- oil leaks	AT745	MF - Maintenance Fitter
26/06/25	Machine defects, top up fluids/ wash final drives	AT745	MF - Maintenance Fitter
27/06/25	Return to work, fill finals and diff	AT745	MF - Maintenance Fitter
27/06/25	Defects- top up oil drop box, finals, diff	AT745	MF - Maintenance Fitter
30/06/25	Blown hose replacement	AT745	MF - Maintenance Fitter
01/07/25	inspect oil leaks, drain oil drop belly guard insp	AT745	MF - Maintenance Fitter
01/07/25	Defects	AT745	MF - Maintenance Fitter
02/07/25	Fill engine oil, filter, top up fluids	AT745	MF - Maintenance Fitter
02/07/25	Change oil and filter	AT745	MF - Maintenance Fitter
07/07/25	Defects	AT745	MF - Maintenance Fitter
08/07/25	Machine defects, sump and wheel ends	AT745	MF - Maintenance Fitter
08/07/25	Wash truck, prepare for disassembly	AT745	MF - Maintenance Fitter
08/07/25	Removed sump to re seal	AT745	MF - Maintenance Fitter
09/07/25	Wash, jack machine, removewheels, axles and final	AT745	MF - Maintenance Fitter
09/07/25	Refit sump and rocket cover gaskets	AT745	MF - Maintenance Fitter
09/07/25	Removed tyres and start stripping- to remove final	AT745	MF - Maintenance Fitter
10/07/25	Pressure wash pos 1&2 hubs	AT745	MF - Maintenance Fitter
10/07/25	Dissassemble and Assemble pos 1&2 wheel end etc	AT745	MF - Maintenance Fitter
10/07/25	Wheel end removal pos 1 and 2	AT745	MF - Maintenance Fitter
10/07/25	Defects	AT745	MF - Maintenance Fitter
10/07/25	Stipped final drive, clean for re assemble, etc	AT745	MF - Maintenance Fitter
11/07/25	Assemble POS 2 wheel end, final install axle	AT745	MF - Maintenance Fitter
11/07/25	Complete wheel end POS 1 and 2	AT745	MF - Maintenance Fitter
14/07/25	Front Crank shaft seal/ top up oil, run and test	AT745	MF - Maintenance Fitter
21/07/25	Inspect and return to work	AT745	MF - Maintenance Fitter
23/07/25	Cert form	AT745	MF - Maintenance Fitter
21/08/25	Removed and replaced radio and defects	AT745	MF - Maintenance Fitter
25/08/25	inspection	AT745	MF - Maintenance Fitter
04/09/25	Inspect engine, hi temp coolant, derate, order par	AT745	MF - Maintenance Fitter
04/09/25	High coolant temp fault	AT745	MF - Maintenance Fitter
05/09/25	Collect parts from the gat	AT745	MF - Maintenance Fitter
08/09/25	Replace and test water temp sensor	AT745	MF - Maintenance Fitter
18/09/25	Top up oils/ checks	AT745	MF - Maintenance Fitter
03/10/25	Top up cooland and check over	AT745	MF - Maintenance Fitter
09/10/25	250hr service	AT745	MF - Maintenance Fitter
09/10/25	250hr service	AT745	MF - Maintenance Fitter

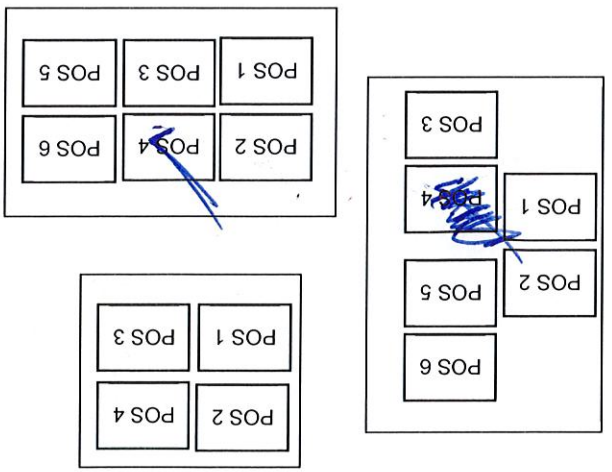


Tyre and Rim Change			
Plant ID:	BT 745	Site:	DOOCAS
Tyre Size:	29.5 R25	Hours:	16999
		Tyre Fitter:	SCOT / MAT
		Kilometres:	
		Model:	745
		Date:	14-2-22

POS	Serial No.	Tread In	Tread Out	Rim No.	Make	Type	Spec	Service Code***	Removal Reason Code**	Action Code*
4	NO SERIAL NUMBER ON TYRE	10	10		MTP	W803		E.	SCOT.	A
4	USED	HSKVDZ408T	SS	SS		YOKOHAMA	RT41			

*Action Code		**Removal Reason Code	
A	Scrap	TCUT	Tread Rock cut & Penetration
B	Repair	IRRW	Irregular wear, spot wear, rapid wear
C	Further Inspection	CBU	Ply cord/casing break up
D	Return to mine site	SCUT	Sidewall/shoulder rock & penetration
E	Transfer to another site	BEAD	Bead burst, chaffer end separation, rim friction
F	Transfer from Supplier	FO	Foreign Object
G	Sold	ACCD	Fire, Chemical, rock ejector, loader bucket
H	Send for recap	SB	Shock burst, no evidence of rock cut
***Service Code		SCK	Buttress crack, radial crack at shoulder area
A	Tyre rotation	SWC	Sidewall crack
B	Vehicle Maintenance	RO	Run out
C	Due to rim problem	VIB	Pattern pitch vibration
D	Due to tyre problem	BDFT	Improper fitment
E	Due to air leak	NA	Not applicable
F	Tyre fitment	WO	Worn Out
G	Other reason	WO	Worn Out

Tyre and Rim Positions:



Note: The electronic copy of this document is controlled. To ensure that other copies of this document are current, check the revision number and date against the compliance management database. Qudos

Prepared By: David McNicol Date: 03/02/2020 Approved By: John Stokes Date: 03/02/2020

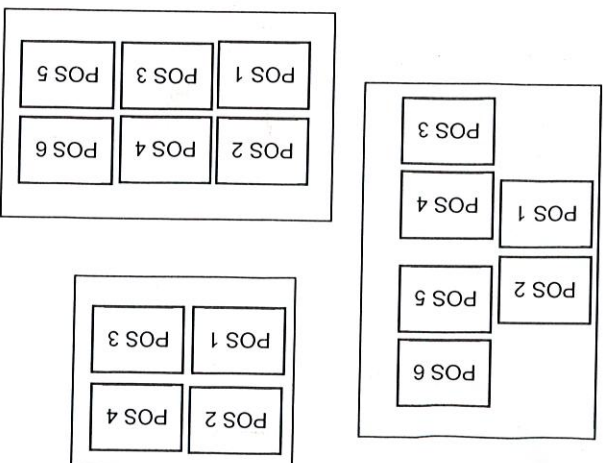
Rev. No: 2 Date Implemented: 03/02/2020

Plant ID:	A7745	Site:	Beura	Tyre and Rim Change
Tyre Size:	29.5	Hours:		Tyre Fitter:
				Kilometres:
				Model:
				Date:
				740
				16-5-22

POS	Serial No.	Tread		Rim No.	Make	Type	Spec	Service Code***	Removal Reason Code**	Action Code*
		In	Out							
1	F77284129	55	54		DAQUESTONE	STEEL	ADIR			
2	F77285429	52	51		DAQUESTONE	STEEL	ADIR			
Tyre - Rim On										
POS	New or Used	Serial No.	Tread In	Tread Out	Rim No.	Make	Type	Spec	Pressure	
1	NEW	A55400914	65	65			NO TRAMING	AT41	NA DIR	60
2	NEW	A52T00643	65	65			NO TRAMING	AT41	NA DIR	60

*Action Code		**Removal Reason Code	
A	Scrap	TCUT	Tread Rock cut & Penetration
B	Repair	IRRW	Irregular wear, spot wear, rapid wear
C	Further Inspection	CBU	Ply cord/lacing break up
D	Return to mine site	SCUT	Sidewall/shoulder rock & penetration
E	Transfer to another site	BEAD	Bead burst, chaffer end separation, rim friction
F	Transfer from Supplier	FO	Foreign Object
G	Sold	ACCD	Fire, Chemical, rock ejector, loader bucket
H	Send for recap	SB	Shock burst, no evidence of rock cut
***Service Code			
A	Tyre rotation	SCK	Buttress crack, radial crack at shoulder area
B	Vehicle Maintenance	SWC	Sidewall crack
C	Due to rim problem	RO	Run out
D	Due to tyre problem	VIB	Pattern pitch vibration
E	Due to air leak	BDFT	Improper fitment
F	Tyre fitment	NA	Not applicable
G	Other reason	WO	Worn Out

Tyre and Rim Positions:



Note: The electronic copy of this document is controlled. To ensure that other copies of this document are current, check the revision number and date against the compliance management database. Qudos

Prepared By: David McNicol Date: 03/02/2020 Approved By: John Stokes Date: 03/02/2020

Rev. No: 2 Date Implemented: 03/02/2020

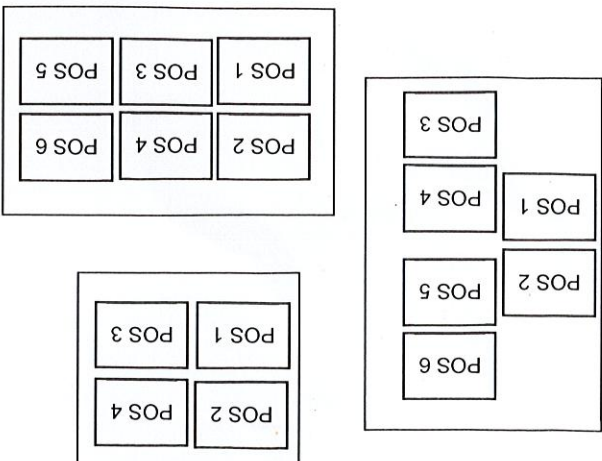
Plant ID:	A+ 745	Site:	Lucas	Tyre and Rim Change
Tyre Size:	29.5	Hours:		
		Tyre Fitter:		
		Kilometres:		
		Model:	740	
		Date:	16.5.22	

POS	Serial No.	Tread In	Tread Out	Rim No.		Make	Type	Spec	Service Code***	Removal Reason Code**	Action Code*
				In	Out						
2	F7K135451	49	52			Brownstone	Ugreen	MA1A	A		
4	HKS4084408T	55	57			Yokohama	Ugreen	MA1A	A		
Tyre - Rim On											
POS	New or Used	Serial No.	Tread In	Tread Out	Rim No.	Make	Type	Spec	Pressure		
3	Used	F7H284129	25	25		Brownstone	Ugreen	MA1A	60		
4	Used	F7H285429	25	25		Brownstone	Ugreen	MA1A	60		

*Action Code		**Removal Reason Code	
A	Scrap	TCUT	Tread Rock cut & Penetration
B	Repair	IRRW	Irregular wear, spot wear, rapid wear
C	Further Inspection	CBU	Ply cord/casing break up
D	Return to mine site	SCUT	Sidewall/shoulder rock & penetration
E	Transfer to another site	BEAD	Bead burst, chaffer end separation, rim friction
F	Transfer from Supplier	FO	Foreign Object
G	Sold	ACCD	Fire, Chemical, rock ejector, loader bucket
H	Send for recap	SB	Shock burst, no evidence of rock cut
***Service Code			
A	Tyre rotation	SCK	Buttress crack, radial crack at shoulder area
B	Vehicle Maintenance	SWC	Sidewall crack
C	Due to rim problem	RO	Run out
D	Due to tyre problem	VIB	Pattern pitch vibration
E	Due to air leak	BDFI	Improper fitment
F	Tyre fitment	NA	Not applicable
G	Other reason	WO	Worn Out

A	Tyre rotation	TSEP	Tread Separation
B	Vehicle Maintenance	RF	Run flat
C	Due to rim problem	SIDE	Sidewall separation
D	Due to tyre problem	HSEP	Heat separation
E	Due to air leak	WO	Worn Out
F	Tyre fitment	MATC	Matching
G	Other reason		

Tyre and Rim Positions:



Note: The electronic copy of this document is controlled. To ensure that other copies of this document are current, check the revision number and date against the compliance management database, Qudos

Prepared By: David McNicol Date: 03/02/2020 Approved By: John Stokes Date: 03/02/2020

Rev. No: 2 Date Implemented: 03/02/2020

