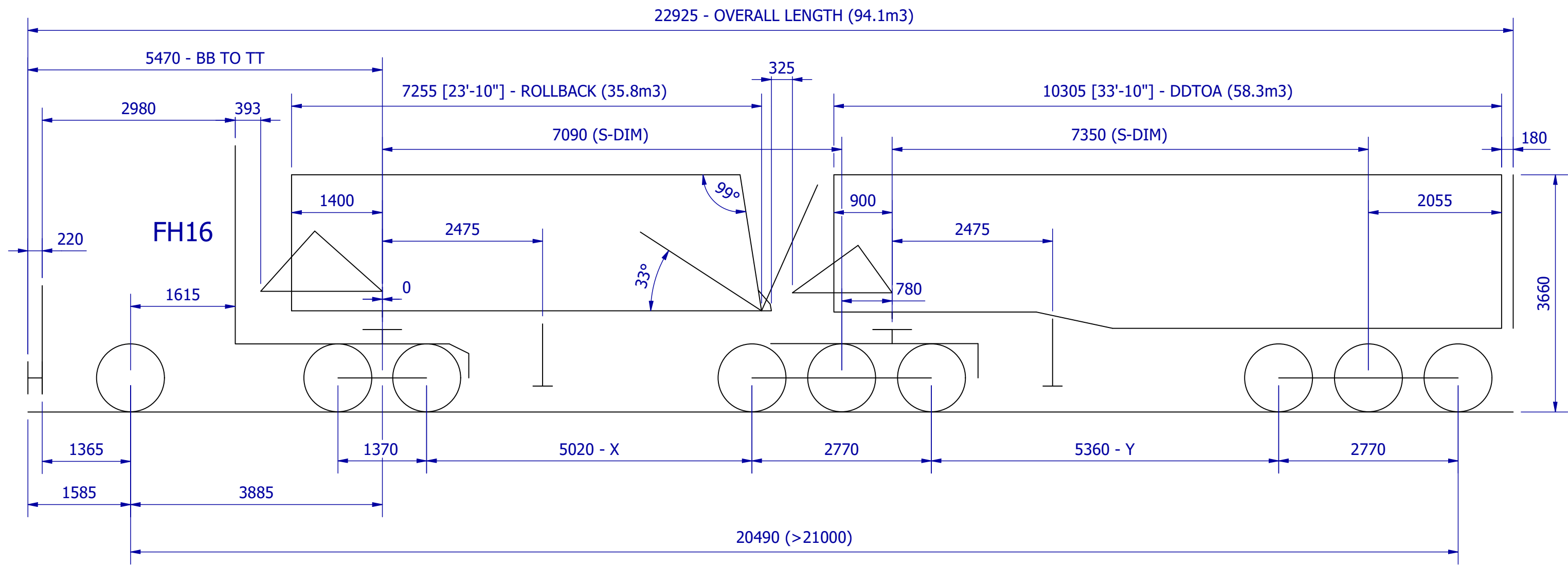


Dallas

NOTES:
 VOLUME BASED ON PLATE SIDE SHEETS
 TURNTABLES ON ON CENTRE UNLESS SHOWN OTHERWISE
 DRAWING BASED ON PREVIOUS DRAWING: KROD AB-TRIPLE WITH FH16 24-3-22 R1

GLT GRAHAM LUSTY TRAILERS **GRAHAM LUSTY TRAILERS**

DESIGNED BY: ART	CLIENT: DALLAS KROPP	SIGNATURE OF ACCEPTANCE TO BUILD: SIGN:	DATE: 19/05/23
DRAWN BY: ART	DRAWING FILE NAME: KROD AB-TRIPLE FH16, CT, TRI, RB, TOA Q3694 R3.idw		
DRAWING DATE: 17/05/2023	TOLERANCE: ± 5.0mm	SCALE: 1 : 95	SHEET NUMBER: 1 of 3
		SHEET SIZE: A3	



NOTES:
 VOLUME BASED ON PLATE SIDE SHEETS
 DISTANCE X CAN BE UP TO 1.0M GREATER THAN Y
 DISTANCE Y CAN BE UP TO 1.3M GREATER THAN X



DESIGNED BY: ART	CLIENT: DALLAS KROPP			
DRAWN BY: ART	SIGNATURE OF ACCEPTANCE TO BUILD: SIGN:	DATE: / /		
DRAWING DATE: 17/05/2023	DRAWING FILE NAME: KROD AB-TRIPLE FH16, CT, TRI, RB, TOA Q3694 R3.idw	SCALE: 1 : 60	SHEET NUMBER: 3 of 3	SHEET SIZE: A3
TOLERANCE: ± 5.0mm				