

# Experian AutoCheck Report

Report run: 06/29/2026 15:11:54 EDT

## 2020 Hino 195 2D 2D (5.1L I4 DI Diesel)

|                         |                     |
|-------------------------|---------------------|
| VIN:                    | JHHGDM2H9LK001800   |
| Class:                  | Medium/Heavy Truck  |
| Country of Assembly:    | Japan               |
| Estimated In Service:   | 09/17/2019          |
| Last Reported Odometer: | 92,893 (10/27/2022) |

Owners - 2



Vehicle Usage  
Lease

AutoCheck Score Not Available

## AutoCheck Score

### Vehicle History at a Glance



State Title Brand



CLEAN



Auction Brand / Issues



NO ISSUE



Accident / Damage

Multiple Damage Events



MINOR



Open Recall Check

Recall Information not received from manufacturer



NOT AVAILABLE



Insurance Loss / Transfer



NO ISSUE



Odometer Check

Last reported odometer:  
92,893 (10/27/2022)



NO ISSUE



Certified Pre-Owned



NO CPO INFO AVAILABLE



Service / Repair



NO ISSUE



Additional History

Duplicate Title



EVENTS REPORTED



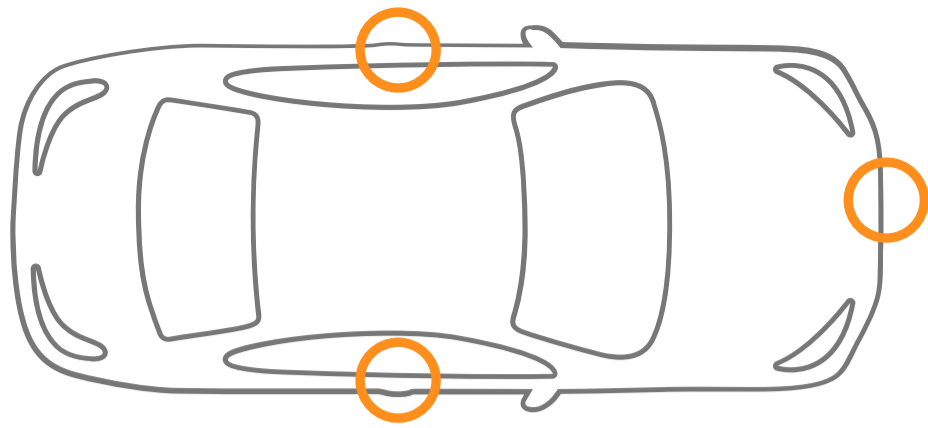
This vehicle is not eligible for Buyback Protection

Due to the vehicle's history showing no reported major state title brands. [Terms & Conditions](#)

[Learn More](#)



Accident & Damage



Airbag Deployed



Structural Damage



Overturned



Minor

| Damage Date | Damage Type | Severity |
|-------------|-------------|----------|
| 12/13/2019  | Collision   | Minor    |
| 04/30/2020  | Collision   | Minor    |
| 02/02/2021  | Collision   | Minor    |

Accident or damage event(s) have been reported for this vehicle to Experian AutoCheck. An inspection may provide added confidence in the vehicle's condition before purchase.

## Odometer Check



### Your Vehicle Checks Out

No odometer brands, rollbacks, rollover or tampering has been reported to AutoCheck from state Division of Motor Vehicles (DMV) or auction sources. AutoCheck also examined the sequence of reported odometer readings to determine if there are any potential discrepancies.



### State Title Odometer Check

No issues reported



### Auction Odometer Check

No issues reported



### Odometer Calculation Check

No issues reported

## Detailed Vehicle History

Below are the historical events for this vehicle listed in chronological order.

Vehicle: 2020 Hino 195 (JHHGDM2H9LK001800) Report Run Date: 06/29/2026 15:11:54 EDT

2019

### Owner 1

Location: KY

Owned From: 09/2019

Usage: Lease

| Event Date | Location      | Odometer | Data Source         | Details   |
|------------|---------------|----------|---------------------|---|
| 09/17/2019 | LEXINGTON, KY | 392      | Motor Vehicle Dept. | Title(Title #:192600340129) Registration Event/Renewal  |
| 12/13/2019 | KY            |          | State Agency        | Right Side Impact with Another Vehicle(Case #:72450406) Accident Reported(Report #:201912130028-01) Minor Damage Reported |
| 02/06/2020 | LEXINGTON, KY |          | Motor Vehicle Dept. | Registration Event/Renewal  |
| 04/30/2020 | KY            |          | State Agency        | Collision with Another Vehicle(Case #:72497770)   |
| 06/01/2020 | KY            |          | State Agency        | Front Impact with Another Vehicle(Case #:72506521) Accident Reported(Report #:2020087523) Minor Damage Reported           |
| 02/02/2021 | KY            |          | State Agency        | Left Side Impact with Another Vehicle(Case #:72590585) Slight Damage Reported   |
| 03/12/2021 | LEXINGTON, KY |          | Motor Vehicle Dept. | Registration Event/Renewal(Leased Vehicle)  |

| Event Date | Location      | Odometer | Data Source         | Details   |
|------------|---------------|----------|---------------------|---|
| 03/15/2022 | LEXINGTON, KY |          | Motor Vehicle Dept. | Registration Event/Renewal(Leased Vehicle)                                      |
| 09/20/2022 | KY            |          | Motor Vehicle Dept. | Title(Title #:222630340197) (Leased Vehicle)<br>Duplicate Title(Leased Vehicle) |

2022

## Owner 2

| <span>Location: KY</span> <span>Owned From: 10/2022</span> <span>Usage: Lease</span> |               |          |                     |  |
|--|---------------|----------|---------------------|--|
| Event Date   | Location      | Odometer | Data Source         | Details  |
| 10/27/2022   | KY            | 92,893   | Motor Vehicle Dept. | Title(Title #:223000340070) (Leased Vehicle)<br>Registration Event/Renewal(Leased Vehicle) |
| 11/02/2022   | LEXINGTON, KY |          | Motor Vehicle Dept. | Title(Title #:223000340070) (Leased Vehicle)   |
| 11/03/2022   | KY            |          | Motor Vehicle Dept. | Title(Title #:223000340070) (Leased Vehicle)   |
| 11/23/2022   | LEXINGTON, KY |          | Motor Vehicle Dept. | Registration Event/Renewal(Leased Vehicle)   |
| 03/15/2023   | LEXINGTON, KY |          | Motor Vehicle Dept. | Registration Event/Renewal(Leased Vehicle)   |
| 03/14/2024   | LEXINGTON, KY |          | Motor Vehicle Dept. | Registration Event/Renewal(Leased Vehicle)   |
| 04/03/2025   | LEXINGTON, KY |          | Motor Vehicle Dept. | Registration Event/Renewal(Leased Vehicle)   |

### AutoCheck Terms and Conditions

This report, and any reliance upon it, is subject to [AutoCheck Terms and Conditions](#). If you obtained the report from a lender/dealer, the lender/dealer has been provided with these Terms and Conditions and can share them with you. These AutoCheck Terms and Conditions are also available at any time at [www.autocheck.com/terms](http://www.autocheck.com/terms) or by writing to Experian: Experian Automotive C/O AutoCheck Customer Service 1515 E. Woodfield Road, Suite 500, Schaumburg, IL 60173.

### Buyback Protection Terms and Conditions

This vehicle (JHHGDM2H9LK001800) does not qualify for AutoCheck Buyback Protection.

### About AutoCheck

AutoCheck vehicle history reports by Experian Automotive is the leading vehicle history reporting service. With expert data handling, the Experian Automotive database houses over 4 billion records on a half a billion vehicles. Every AutoCheck vehicle history report will give you confidence when buying or selling your next used vehicle, with superior customer service every step of the way.

### Patent Notice

Certain aspects of this vehicle history report may be covered by U.S. Patent 8,005,759.