

Declaration of Conformity

H095

COPY**The undersigned, Authorized Representative :**KOMATSU EUROPE INTERNATIONAL N.V.
MECHELSESTEENWEG 586
B-1800 VILVOORDE
BELGIUM**of the Manufacturer:**KOMATSU LIMITED
2-3-6 AKASAKA MINATO-KU
TOKYO 107
JAPAN**Declares in accordance with Directive 2006/42/EC Annex II, Part 1, Section A that the machinery listed below:**

Machine designation / type	ARTICULATED DUMP TRUCK / HM300-3
Serial number	3658
PIN (ISO 10261)	KMTHM011VED003658
Construction year	2015
Engine type	SAA6D125E-6

Conforms to the requirements of the following EC Directives:

Machinery Directive	2006/42/EC and amendments
Electromagnetic Compatibility Directive	2004/108/EC and amendments
Outdoor noise Directive	2000/14/EC and amendments
R&TTE Directive	1999/5/EC and amendments

Harmonised standards:**EN 474-1:2006+A4:2013 EN 474-6:2006+A1:2009****Additional requirements from Directive 2000/14/EC, if applicable:**

Conformity assessment procedure	Annex VIII
Engine power according Directive 2000/14/EC	248 kW
Guaranteed sound power level	108 dB/1pW
Measured sound power level	104 dB/1pW
Certificate number	CE 0044 - 203 11 008 8 001
Notified Body	TÜV Nord Cert GmbH & Co KG Am TÜV 1,D-30519 Hannover - Germany

Other Type Examination Certificates, if applicable:

Certificate Number	Issue date	Notified Body
...
...

This declaration relates exclusively to the machinery in the state in which it was placed on the market, and excludes all components which are added, and/or operations carried out subsequently by any third party.

Name and address of the person authorized to compile the technical file :EUROPEAN REGULATIONS AND STANDARDS MANAGER
KOMATSU EUROPE INTERNATIONAL N.V. - MECHELSESTEENWEG 586 1800 VILVOORDE - BELGIUM**On behalf of the manufacturer,**T. Nagatomo
General Manager,
European Sales Planning

長友 琢哉

Vilvoorde,
30/03/2015**COPY**

Operation & Maintenance Manual

ARTICULATED
DUMP TRUCK

GALEO
HM300-2

SERIAL NUMBERS 2001 and up

ecot3

NOTICE

Komatsu has Operation & Maintenance Manuals written in some other languages. If a foreign language manual is necessary, contact your local distributor for availability.

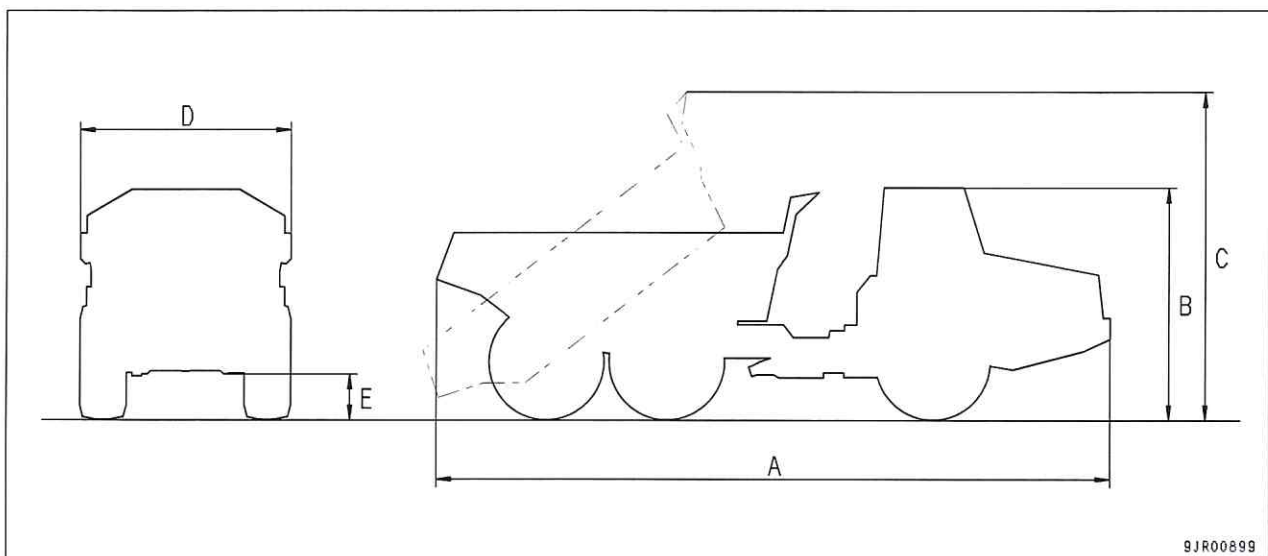
WARNING

Unsafe Use of this machine may cause serious injury or Death. Operators and maintenance personnel must read this manual before operating or maintaining this machine. This manual should be kept near the machine for reference and periodically reviewed by all personnel who will come into contact with it.

KOMATSU

SPECIFICATIONS

Item		Unit	HM300-2	
Overall weight (unladen weight + max. payload + 1 operator (75kg (165 lb)))		kg (lb)	51415 (113370)	
Unladen weight		kg (lb)	24040 (53008)	
Max. payload		kg (lb)	27300 (60197)	
Dump body capacity	Struck	m ³ (cu.yd)	12.9 (16.9)	
	Heaped (2 : 1)	m ³ (cu.yd)	16.6 (21.7)	
Dumping speed (at 2000 rpm) (raised)		sec	12	
Name of engine		-	Komatsu SAA6D125E-5 diesel engine	
Flywheel horsepower		kW (HP)/rpm	254 (340)/2000	
Max. torque		Nm (kgm, lbf)/rpm	1706 (174, 1258)/1400	
A	Overall length	mm (ft in)	10440 (34' 3")	
B	Overall height	mm (ft in)	3520 (11' 7")	
C	Overall height when dumping	mm (ft in)	6430 (21' 1")	
D	Overall width	mm (ft in)	2900 (9' 6")	
E	Min. ground clearance (bottom of rear axle)	mm (ft in)	510 (1' 8")	
Min. turning radius		mm (ft in)	7960 (26' 1")	
Travel speed	Forward	1st	km/h (MPH)	6.8 (4.2)
		2nd	km/h (MPH)	10.7 (6.6)
		3rd	km/h (MPH)	16.2 (10.1)
		4th	km/h (MPH)	25.5 (15.8)
		5th	km/h (MPH)	38.4 (23.9)
		6th	km/h (MPH)	58.6 (36.4)
	Reverse	1st	km/h (MPH)	7.6 (4.7)
		2nd	km/h (MPH)	18.1 (11.2)
Temperature range when using		°C (°F)	-20 to 40°C (-4 to 104°F)	



9JR00899