



Système : CH-3
Quantité : 2
Manufacturier : York
Modèle : YLAA0170SE58XFBSDTX

Refroidisseur d'eau de marque York avec condenseur refroidi à l'air pour application extérieure, d'une capacité de 164.3 tonnes, alimentation électrique 575/3/60, poids : 8816 lbs. L'unité sera complète avec :

- Compresseur hermétique de type scroll
 - 6 stages de refroidissement
- Deux circuits de réfrigération indépendants, incluant les accessoires suivants :
 - Voyant de liquide avec indicateur d'humidité
 - Filtre déshydrateur
 - Vanne solénoïde avec soupape de sureté interne
 - Valve d'expansion électronique
 - Valve d'isolation/service
- Évaporateur
- Condenseur refroidi à l'air :
 - Serpentin de type "all aluminium microchannel"
 - Ventilateur à type "Low Sound Fan" avec VFD
 - Couverture acoustique sur compresseurs
 - Moteurs de ventilateurs TEAO
- Thermal Dispersion Flow Switch (**installation fait par autres au chantier**)
- Un seul point de raccordement électrique 575/3/60 avec sectionneur sans fusible
- Panneau de contrôle
 - Boitier NEMA 3R/12
 - Low/High Ambient Kit
 - Transformateur 115V pour contrôles
 - Ensemble de communication BACnet/Modbus/N2
- "Louvered enclosure panels" sur le l'ensemble de l'unité
- Mise en marche par le manufacturier
- Revêtement Guard Basic
- CRN
- Pad néoprène installés par autres



Garantie sur les pièces, main d'œuvre et réfrigérant :

- Les garanties ci-dessus prendront fin au premier des deux suivant qui sera atteint :
 - 12 mois suivant la date de mise en marche
 - 18 mois suivant la date de livraison

Non-inclus :

- Installation
- Tuyauterie et accessoires de réfrigération/plomberie



EQUIPMENT SUBMITTAL FOR APPROVAL

PROJECT: Gal Power



DX Air Cooled Scroll Chiller

EQUIPMENT	YLAA - Air Cooled Chiller
UNIT TAGS	CH-3
QUANTITY	2

DATE:
Monday, January 7, 2019

REVISION:
0



BILL OF MATERIAL DATA

EQUIPMENT	YLAA - Air Cooled Chiller
UNIT TAGS	CH-3
QTY	2

Items Included

- Refrigerant Type: R410A
- Power: 575-3-60.0 Application
- Power Connection: SP NF Disconnect Switch w/Lockable Handle
- TEAO Fan Motors
- Low Sound Fans with VSD Control
- 3/4 Inch Thick Insulation of Evaporator
- Environment Guard Basic
- Both Low/High Ambient Kit Required
- Louvered (Full Unit) Enclosure Panels
- Acoustic Sound Blanket
- Entire Unit Parts Only Warranty: 18 months from date of Shipment or 1 Year from date of Start Up, whichever comes first.
- Entire Unit Labor Only Warranty: 18 months from date of Shipment or 1 Year from date of Start Up, whichever comes first.
- Refrigerant Warranty: 18 months from date of Shipment or 1 Year from date of Start Up, whichever comes first.
- Flow Switch + Extension Kit

Items NOT Included

- Hauling or Rigging Equipment Into Place.
- Control Transformer (separate AC power supply required)



Design Conditions Datasheet

Unit Tag	Qty	Model No	Net Cooling Capacity (ton.R)	Nominal Voltage	Refrigerant Type
CH-3	2	YLAA0170SE58XFBSDTX	164.3	575-3-60.0	R410A

PIN:

YLAA0170SE	58XFBSDTXA	SXBLXCXX44	SEXXXXHXXX	YAXGTXX7BB	XVXNB1XXXX			
...5...10	...5...20	...5...30	...5...40	...5...50	...5...60	...5...70	...5...80	...5...90

Evaporator Data		Evaporator Data (Cont.)		Performance Data	
EWT (°F)	54.00	Fluid Volume (USGAL)	10.04	EER (Btu/W-h)	9.463
LWT (°F)	44.00	Min. Flow Rate (USGPM)	149.9	NPLV.IP (Btu/W-h)	16.55
Design Flow Rate (USGPM)	460.9	Max. Flow Rate (USGPM)	624.5		
Evap. Press. Drop (ft H2O)	36.3				
Fluid	Ethylene Glycol (%) 50	Condenser Data		Physical Data	
Strainer Press. Drop (ft H2O)	0.000	Ambient Temp. Design (°F)	95.0	Rigging Wt. (lb)	8730
Ext. Kit Press. Drop (ft H2O)	0.000	Altitude (ft)	0.000	Operating Wt. (lb)	8816
Total Press. Drop (ft H2O)	36.3	Compressor Type	Scroll - Hermetic	Refrigerant Charge (lb)	177
Fouling Factor (h.ft².F/Btu)	0.000100				

Electrical Data				
Circuit	1	2	3	4
Compressor RLA	42 / 42 / 42	42 / 42 / 42		
Fan QTY/FLA (each)	5 / 2.9	5 / 2.9		
High LRA Current	255 / 255 / 255	255 / 255 / 255		

Single Point				
Min. Circuit Ampacity	298			
Recommended Fuse/CB Rating	300			
Max. Inverse Time CB Rating	300			
Max. Dual Element Fuse Size (A)	300			
Unit Short Circuit Withstand (STD)	5 [kA]			
Wires Per Phase	2 + 1			
Wire Range (Lug Size)	#3/0 AWG - 250 kcmil + 250 - 500 kcmil			
Starter Type	Across The Line			
			Operating Condition Electrical Data	
			Compressor kW	191.5
			Total Fan kW	16.80
			Total kW	208.3

Notes:

Certified in accordance with the AHRI Air-Cooled Water-Chilling Packages Certification Program, which is based on AHRI Standard 550/590 (I-P) and AHRI Standard 551/591 (SI). Certified units may be found in the AHRI Directory at www.ahridirectory.org. Unit contains freeze protection fluids in the evaporator with a leaving chilled fluid temperature above 32 DEG F [0 DEG C] and is certified when rated per the Standard with water. Auxiliary components included in total kW - Oil heaters, Chiller controls. Auxiliary power is already included in the compressor and fan power



Compliant with the requirements of the LEED Energy and Atmosphere Enhanced Refrigerant Management Credit (EAc4).



Design Conditions Datasheet

Part Load Rating Data				
Load %	Ambient (°F)	Capacity (ton.R)	Total kW	Unit Efficiency
100	95.0	164.3	208.3	9.463
0	N/A	0.0000	N/A	0.0000
0	N/A	0.0000	N/A	0.0000
0	N/A	0.0000	N/A	0.0000

Sound Power Levels (In Accordance with AHRI 370)										
Load %	Ambient (°F)	63 Hz (dB)	125 Hz (dB)	250 Hz (dB)	500 Hz (dB)	1 kHz (dB)	2 kHz (dB)	4 kHz (dB)	8 kHz (dB)	LWA
100	95.0	100	99	95	95	91	87	84	82	0
0	N/A	N/A	N/A	N/A	N/A	N/A	N/A	N/A	N/A	N/A
0	N/A	N/A	N/A	N/A	N/A	N/A	N/A	N/A	N/A	N/A
0	N/A	N/A	N/A	N/A	N/A	N/A	N/A	N/A	N/A	N/A

Note: Unit is equipped with Acoustic Sound Blanket and Low Sound Fans with VSD Control.

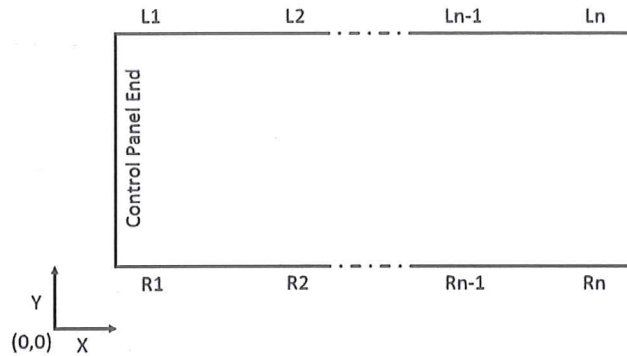
Performance at AHRI Conditions					
Evaporator Data		Condenser Data		Performance Data	
EWT (°F)	54.00	Ambient Temp. (°F)	95.0	EER (Btu/W·h)	9.701
LWT (°F)	44.00	Altitude (ft)	0.000	IPLV.IP (Btu/W·h)	16.67
Flow Rate (USGPM)	404.9			Net Cooling Capacity (ton.R)	169.6
Pressure Drop (ft H2O)	21.9				
Fluid	Water				
Fouling Factor (h.ft².F/Btu)	0.000100				
Fluid Volume (USGAL)	2.652				

Note: Unit rated at design condition capacity.



AVM Report

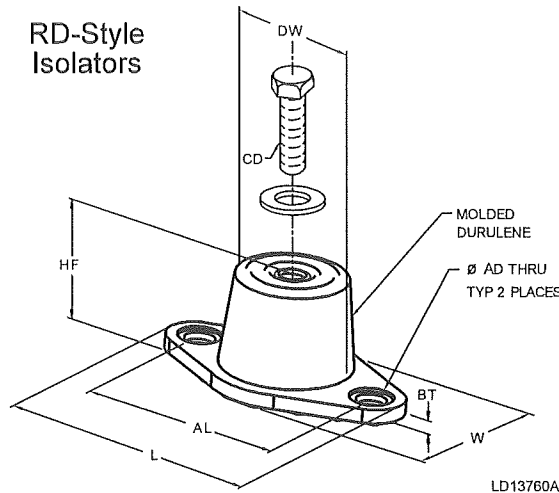
Project Name I	Unit Tag	Date	Chiller Type
	CH-3	2018-12-19	Air Cooled Scroll Chillers
PIN			Version
YLAA0170SE58XFBSDTXASBLCXX44SEXXXXHXXXYAXGTXX7BBXVXNB1XXXX			E.18.6.13254.0-D.69.0032



LOCATION	X Distance (in)	Y Distance (in)	Vendor Isolator Part Number	COLOUR	Operating Weights (lb)
R1	7.6	1.4	RD-4 Brick Red-WR	Red	855
R2	76.6	1.4	RD-4 Brick Red-WR	Red	1208
R3	149.1	1.4	RD-4 Brick Red-WR	Red	1179
R4	212.7	1.4	RD-3 Charcoal-WR	Charcoal	461
L1	7.6	86.9	RD-4 Brick Red-WR	Red	1087
L2	76.6	86.9	RD-4 Charcoal-WR	Charcoal	2169
L3	149.1	86.9	RD-4 Brick Red-WR	Red	1393
L4	212.7	86.9	RD-3 Charcoal-WR	Charcoal	461

Total Weight (lb)		Centre of Gravity (in)	
Operating	8816	Xg	96.8
Shipping	8730	Yg	50.9

NEOPRENE ISOLATOR CROSS-REFERENCE



1. All dimensions are inches, interpreted per ANSI Y14.
2. See next page for installation instructions.
3. Mount molded in weather resistant duralene compound as standard. Also available in other materials such as natural rubber, extreme high temperature silicone, high-damped silicone, nitrile and EDPM.
4. AL = Mounting hole center to center spacing.
5. HF = Free height of mount, prior to loading. Operating height calculated by the free height less the static deflection under load. All dimensions for reference only.
6. Hardware zinc-electroplated.

MOUNT TYPE	DIMENSION DATA (INCHES)							
	L	W	HF	AL	AD	BT	CD	DW
RD1-WR	3.13	1.75	1.25	2.38	0.34	0.19	5/16-18 UNC X 3/4	1.25
RD2-WR	3.88	2.38	1.75	3.00	0.34	0.22	3/8-16 UNC X 1	1.75
RD3-WR	5.50	3.38	2.88	4.13	0.56	0.25	1/2-13 UNC X 1	2.50
RD4-WR	6.25	4.63	2.75	5.00	0.56	0.38	1/2-13 UNC X 1	3.00

MODEL NUMBER	RATED CAPACITY (LBS)	RATED DEFLECTION (IN)	DURO (± 5)
RD2-LIGHT BLUE-WR	35	0.4	30
RD2-BROWN-WR	45	0.4	40
RD2-BRICK RED-WR	70	0.4	50
RD 2-LIME-WR	120	0.4	60

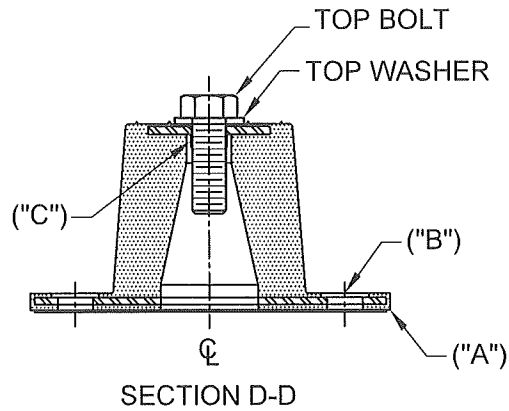
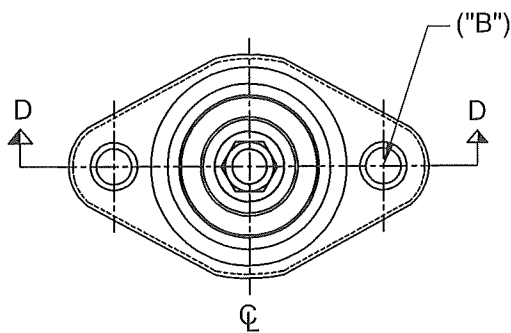
MODEL NUMBER	RATED CAPACITY (LBS)	RATED DEFLECTION (IN)	DURO (± 5)
RD3-Brown-WR	250	0.5	40
RD3-Brick Red-WR	525	0.5	50
RD3-Lime-WR	750	0.5	60
RD3 Charcoal-WR	1100	0.5	70

MODEL NUMBER	RATED CAPACITY (LBS)	RATED DEFLECTION (IN)	DURO (± 5)
RD2-LIGHT BLUE-WR	135	0.5	30
RD2-BROWN-WR	170	0.5	40
RD2-BRICK RED-WR	240	0.5	50
RD 2-LIME-WR	380	0.5	60
RD2 CHARCOAL-WR	550	0.5	70


MODEL NUMBER	RATED CAPACITY (LBS)	RATED DEFLECTION (IN)	DURO (± 5)
RD4-BROWN-WR	1500	0.5	40
RD4-BRICK RED-WR	2250	0.5	50
RD4-LIME-WR	3000	0.5	60
RD4 CHARCOAL-WR	4000	0.5	70

INSTALLATION OF NEOPRENE VIBRATION ISOLATORS

1. Read instructions in their entirety before beginning installation.
2. Isolators are shipped fully assembled and are to be positioned in accordance with the submittal drawings or as otherwise recommended.
3. Set isolators on floor, housekeeping pad, or sub-base, ensuring that all isolator centerlines match the equipment mounting holes. The VMC group recommends that the isolator base ("A") be installed on a level surface. Shim or grout as required, leveling all isolator bases to the same elevation (1/32-inch maximum difference can be tolerated).
4. Bolt or anchor all isolators to supporting structure utilizing base thru holes ("B").
5. Remove top bolt and top washer. Place equipment on top of isolators so that mounting holes in equipment or base line up with threaded hole ("C").
6. Reinstall top bolt and washer and tighten down.
7. Installation is complete.



LD13762B

	STANDARD LIMITED WARRANTY ENGINEERED SYSTEMS EQUIPMENT	
SERVICE POLICY	Supersedes: 50.05-NM2 (B12)	Form 50.05-NM2 (1212)

POLICY STATEMENT

Johnson Controls (JCI) warrants all equipment and associated factory supplied materials or start-up services performed by Johnson Controls in connection therewith, against defects in workmanship and material for a period of eighteen (18) months from date of shipment, or twelve (12) months from date of start up, whichever occurs first. Subject to the exclusions listed below, Johnson Controls, at its option, will repair or replace, FOB point of shipment, such products or components as it finds defective.

Except for reciprocating replacement compressors, which Johnson Controls warrants for a period of twelve (12) months from date of shipment, Johnson Controls warrants Johnson Controls reconditioned or replacement materials, or installation or start-up services performed by Johnson Controls in connection therewith, against defects in workmanship and material for a period of (90) days from date of shipment.

The above represents the minimum warranty policy Johnson Controls will extend to customers. Additional product specific coverage is provided as outlined in related warranty policies. No warranty repairs or replacements will be made until payment for all equipment, materials, or components has been received by Johnson Controls.

EXCLUSIONS:

Unless specifically agreed to in the contract documents, this warranty does not include the following costs and expenses:

1. Labor to remove or reinstall any equipment, materials or components.
2. Shipping, handling or transportation charges, including cranes, safety walks or other safety requirements specific to jobsites.
3. Cost of refrigerant.
4. Freight damage.
5. Field applied coatings added to any surface or heat exchanger.
6. Rental Chillers.

ALL WARRANTIES ARE VOID IF:

1. Equipment is used with refrigerants, oil, additives, or antifreeze agents other than those authorized by supplying factory.
2. Equipment is used with any material or any equipment such as evaporators, tubing, other low side equipment or refrigerant controls not approved by supplying factory.
3. Equipment has been damaged by freezing because it was not properly protected during cold weather or damaged by fire or any other conditions not ordinarily encountered.
4. Equipment is not installed, operated, maintained and serviced in accordance with instructions issued by Johnson Controls.
5. Equipment is damaged due to dirt, air, moisture, or other foreign matter entering the refrigerant system.
6. Equipment is not properly stored, protected, or inspected by the customer during the period from date of shipment to date of initial start-up.
7. Field coating of coil has occurred.
8. Equipment is damaged due to acts of god, abuse, including shipping damage, neglect, sabotage, or acts of terrorists.
9. Equipment has modifications carried out that have an effect on the original design of the product without such work being authorized by the factory. Any on site design changes or unit modification/replacement shall be authorized in advance by the factory.

THIS WARRANTY IS IN LIEU OF ALL OTHER WARRANTIES AND LIABILITIES, EXPRESS OR IMPLIED IN LAW OR IN FACT, INCLUDING THE WARRANTIES OF MERCHANTABILITY AND FITNESS FOR A PARTICULAR PURPOSE. THE WARRANTIES CONTAINED HEREIN SET FORTH BUYER'S SOLE AND EXCLUSIVE REMEDY IN THE EVENT OF A DEFECT IN WORKMANSHIP OR MATERIALS. IN NO EVENT SHALL JOHNSON CONTROLS' LIABILITY FOR DIRECT OR COMPENSATORY DAMAGES EXCEED THE PAYMENTS RECEIVED BY JOHNSON CONTROLS FROM BUYER FOR THE MATERIAL OR EQUIPMENT INVOLVED, NOR SHALL JOHNSON CONTROLS BE LIABLE FOR ANY SPECIAL, INCIDENTAL, OR CONSEQUENTIAL DAMAGES. THESE LIMITATIONS ON LIABILITY AND DAMAGES SHALL APPLY UNDER ALL THEORIES OF LIABILITY OR CAUSES OF ACTION, INCLUDING BUT NOT LIMITED TO, CONTRACT, WARRANTY, TORT, (INCLUDING NEGLIGENCE) OR STRICT LIABILITY. THE ABOVE LIMITATIONS SHALL INURE TO THE BENEFIT OF JOHNSON CONTROLS SUPPLIERS AND SUBCONTRACTORS.



**18 months (1 Year) Parts & Labor Warranty
FOR THE ENTIRE UNIT
YORK INTERNATIONAL CORPORATION
ENGINEERED SYSTEMS**

PRODUCT TYPE:	<u>Air Cooled Scroll Chillers</u>	COMPRESSOR SERIAL NUMBER(S):	_____
YORK CONTRACT NO.:	_____		_____
UNIT MODEL NUMBER:	<u>YLAA0170SE</u>		_____
UNIT SERIAL NUMBER:	_____		_____
UNIT TAG ID:	<u>CH-3</u>		_____
UNIT LOCATION:	_____		_____

PROJECT NAME: NewProject Shipping Date _____
 INSTALLATION ADDRESS: _____

The term of this agreement is 18 months (1 Year), commencing _____ and expires _____.

LIMITED WARRANTY

WHEN PROPERLY ENDORSED, THIS PROTECTION PLAN BETWEEN YORK INTERNATIONAL CORPORATION (YORK) AND CUSTOMER, WARRANTS, TO THE CUSTOMER NAMED HEREIN, FOR THE . IT DOES NOT COVER REFRIGERANT COST, FREIGHT CHARGES, *** UNASSIGNED ***OR ANY OTHER COSTS.

THIS WARRANTY EXCLUDES IMPLIED WARRANTIES OF MERCHANTABILITY AND FITNESS FOR A PARTICULAR PURPOSE, AND WE DO NOT ASSUME, OR AUTHORIZE ANY OTHER PERSON TO ASSUME OTHER WARRANTIES FOR US. THIS WARRANTY IS OFFERED AS AN EXTENSION TO THE STANDARD LIMITED WARRANTY (FORM 50.05-NM2) AND IS SUBJECT TO THE SAME LIMITATIONS AND EXCLUSIONS, EXCEPT WHERE NOTED.

THIS PROTECTION PLAN DOES NOT COVER FAILURE OR DAMAGE RESULTING FROM FIRE, FLOOD, ABUSE, OR ACT OF GOD. ALSO EXCLUDED ARE DAMAGES OR FAILURES CAUSED BY INSTALLATION, OPERATION, OR MAINTENANCE CONTRARY TO YORK RECOMMENDATIONS, OR THOSE OF THE MANUFACTURER IF OTHER THAN YORK. IN NO EVENT SHALL YORK BE LIABLE FOR CONSEQUENTIAL, INCIDENTAL, OR INDIRECT DAMAGE, LOSS, OR INJURY. WARRANTY FOR EXCHANGE OR PARTS PROCUREMENT SERVICE SHALL BE AVAILABLE THROUGH THE SERVICER LISTED HEREIN DURING NORMAL WORKING HOURS.

DISTRICT SERVICE OFFICE: _____

OFFERED BY: _____
York Selling Representative Print/Sign Date

APPROVED BY: _____
York Area Service Manager Print/Sign Date

ACCEPTED BY: _____
Customer Signature Date

(Manufacturer's Use Only)

AUTHORIZED BY: *Robert D. Halograh* 2018-12-19
Manager, Warranty Administration Date

