

Prepared for:
Mark Bylsma
SPRING CREEK CARRIERS INC
4695 Bartlett
Road
Beamsville, ON L0R 1B1
Phone: 905-563-9989



Prepared by:
Corey Crawford
METRO FREIGHTLINER
MILTON
8050 LAWSON ROAD
MILTON, ON L9T 5C4
Phone: 905 664-7888

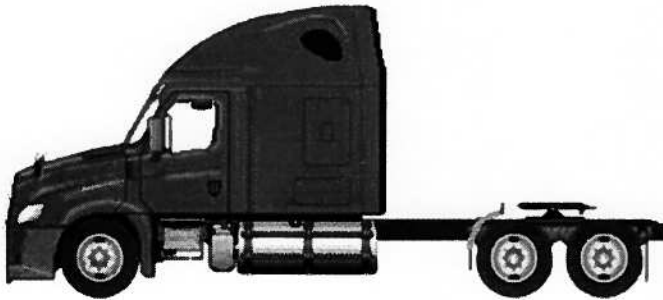
2022's

A proposal for
SPRING CREEK CARRIERS INC

Prepared by
METRO FREIGHTLINER MILTON
Corey Crawford

Aug 23, 2021

Freightliner CA126SLP



Components shown may not reflect all spec'd options and are not to scale



Prepared for:
 Mark Bylsma
 SPRING CREEK CARRIERS INC
 4695 Bartlett
 Road
 Beamsville, ON L0R 1B1
 Phone: 905-563-9989



Prepared by:
 Corey Crawford
 METRO FREIGHTLINER
 MILTON
 8050 LAWSON ROAD
 MILTON, ON L9T 5C4
 Phone: 905 664-7888

S P E C I F I C A T I O N P R O P O S A L

Data Code	Description
Price Level	
PRL-26K	CASCADIA PRL-26K (EFF:7/26/21)
Data Version	
DRL-012	SPECPRO21 DATA RELEASE VER 012
Integrated Power Train	
028-005	FUEL ECONOMY POWER TRAIN PACKAGE
Vehicle Configuration	
001-234	CASCADIA 126 INCH SLEEPER/CAB
004-223	2023 MODEL YEAR SPECIFIED
002-002	SET BACK AXLE - TRACTOR
003-001	LH PRIMARY STEERING LOCATION
General Service	
AA1-001	TRACTOR/TRAILER CONFIGURATION
AA6-003	DOMICILED, CANADA (OTHER THAN QUEBEC)
RCE-00F	FIXED CANADIAN EXCHANGE
A85-005	LINEHAUL/LONG HAUL SERVICE
A84-1GF	GENERAL FREIGHT BUSINESS SEGMENT
AA4-001	GENERAL FREIGHT COMMODITY
AA5-002	TERRAIN/DUTY: 100% (ALL) OF THE TIME, IN TRANSIT, IS SPENT ON PAVED ROADS
AB1-008	MAXIMUM 8% EXPECTED GRADE
AB5-001	SMOOTH CONCRETE OR ASPHALT PAVEMENT - MOST SEVERE IN-TRANSIT (BETWEEN SITES) ROAD SURFACE
995-1AD	FREIGHTLINER LEVEL I WARRANTY
A66-99D	EXPECTED FRONT AXLE(S) LOAD : 12000.0 lbs
A68-99D	EXPECTED REAR DRIVE AXLE(S) LOAD : 38000.0 lbs
A63-99D	EXPECTED GROSS VEHICLE WEIGHT CAPACITY : 50000.0 lbs



Prepared for:
 Mark Bylsma
 SPRING CREEK CARRIERS INC
 4695 Bartlett
 Road
 Beamsville, ON L0R 1B1
 Phone: 905-563-9989



Prepared by:
 Corey Crawford
 METRO FREIGHTLINER
 MILTON
 8050 LAWSON ROAD
 MILTON, ON L9T 5C4
 Phone: 905 664-7888

Data Code	Description
A70-99D	EXPECTED GROSS COMBINATION WEIGHT : 80000.0 lbs

Truck Service

AF3-2CR	TRACTOR ONLY WITH NO BODY UPFIT
---------	---------------------------------

Tractor Service

AA2-001	VAN TRAILER
AH6-001	SINGLE (1) TRAILER

Engine

101-3FP	DETROIT DD15 GEN 5 IDP 14.8L 425 HP @ 1500 RPM, 1900 GOV RPM, 1750 LB-FT @ 900 RPM
---------	--

Electronic Parameters

79A-065	65 MPH ROAD SPEED LIMIT
79B-006	CRUISE CONTROL SPEED LIMIT SAME AS ROAD SPEED LIMIT, WITH AUTO RESUME AFTER SHIFT
79D-050	1650 RPM LIMIT FOR LOW GEARS, 1650 RPM LIMIT FOR MIDDLE GEARS, 1650 RPM LIMIT FOR HIGH GEARS
79F-013	FLEET MANAGEMENT - DAILY ENGINE USAGE ENABLED
79G-006	5 MINUTES IDLE SHUTDOWN WITH CLUTCH AND SERVICE BRAKE OVERRIDE
80C-012	ENGINE BRAKE WITH GLOBAL CRUISE CONTROL ENABLED
80L-001	ENABLE AUTO ENGINE RPM ELEVATE FOR EXTENDED IDLE
80W-001	MAINTENANCE SYSTEM WITH NO POP-UPS AND NO MENU IN CLUSTER

Engine Equipment

99C-021	2016 ONBOARD DIAGNOSTICS/2010 EPA/CARB/GHG21 CONFIGURATION
99D-011	2008 CARB EMISSION CERTIFICATION - CLEAN IDLE (INCLUDES 6X4 INCH LABEL ON LOWER FORWARD CORNER OF DRIVER DOOR)
13E-001	STANDARD OIL PAN
105-001	ENGINE MOUNTED OIL CHECK AND FILL
014-1CT	DUAL SIDE OF HOOD AIR INTAKE WITH ENGINE MOUNTED AIR CLEANER
124-1E7	DR 12V 275 AMP 40-SI BRUSHLESS PAD ALTERNATOR WITH REMOTE BATTERY VOLTAGE SENSE



Prepared for:
 Mark Bylsma
 SPRING CREEK CARRIERS INC
 4695 Bartlett
 Road
 Beamsville, ON L0R 1B1
 Phone: 905-563-9989



Prepared by:
 Corey Crawford
 METRO FREIGHTLINER
 MILTON
 8050 LAWSON ROAD
 MILTON, ON L9T 5C4
 Phone: 905 664-7888

Data Code	Description
292-144	(4) NORTHSTAR ULTRA HIGH PERFORMANCE ABSORBED GLASS MAT NSB-AGM31, GROUP 31, 12 VOLT 4600 CCA THREADED STUD BATTERIES, DTNA WARRANTY INCLUDED
29H-006	(4) NORTHSTAR ULTRA HIGH PERFORMANCE ABSORBED GLASS MAT NSB-AGM31, GROUP 31, 12 VOLT 4600 CCA THREADED STUD AUXILIARY BATTERIES, DTNA WARRANTY INCLUDED
290-1D3	STEEL BATTERY BOX WITH ENCLOSED TRAY
29G-001	PLASTIC AUXILIARY BATTERY BOX MOUNTED BETWEEN RAILS
282-001	SINGLE BATTERY BOX FRAME MOUNTED LH SIDE UNDER CAB
29E-001	AUXILIARY BATTERY BOX(ES) MOUNTED IN RAIL BACK OF CAB
291-017	WIRE GROUND RETURN FOR BATTERY CABLES WITH ADDITIONAL FRAME GROUND RETURN
289-012	NON-POLISHED DIAMOND PLATE BATTERY BOX COVER
29F-001	PLASTIC AUXILIARY BATTERY BOX COVER
293-058	POSITIVE LOAD DISCONNECT WITH CAB MOUNTED CONTROL SWITCH MOUNTED OUTBOARD DRIVER SEAT
306-015	PROGRESSIVE LOW VOLTAGE DISCONNECT AT 12.3 VOLTS FOR DESIGNATED CIRCUITS
180-1AP	DETROIT HEAVY DUTY AUTOMATED MANUAL TRANSMISSION CLUTCH
107-046	BW MODEL FE-921 19.0 CFM SINGLE CYLINDER AIR COMPRESSOR WITH SAFETY VALVE
108-002	STANDARD MECHANICAL AIR COMPRESSOR GOVERNOR
131-013	AIR COMPRESSOR DISCHARGE LINE
152-041	ELECTRONIC ENGINE INTEGRAL SHUTDOWN PROTECTION SYSTEM
128-002	JACOBS COMPRESSION BRAKE
016-1C3	RH OUTBOARD UNDER STEP MOUNTED HORIZONTAL AFTERTREATMENT SYSTEM ASSEMBLY WITH RH HORIZONTAL TAILPIPE
28F-014	ENGINE AFTERTREATMENT DEVICE, AUTOMATIC OVER THE ROAD REGENERATION AND VIRTUAL REGENERATION REQUEST SWITCH IN CLUSTER
239-001	STANDARD EXHAUST SYSTEM LENGTH
237-052	RH STANDARD HORIZONTAL TAILPIPE



Prepared for:
 Mark Bylsma
 SPRING CREEK CARRIERS INC
 4695 Bartlett
 Road
 Beamsville, ON L0R 1B1
 Phone: 905-563-9989



Prepared by:
 Corey Crawford
 METRO FREIGHTLINER
 MILTON
 8050 LAWSON ROAD
 MILTON, ON L9T 5C4
 Phone: 905 664-7888

Data Code	Description
23U-003	23 GALLON DIESEL EXHAUST FLUID TANK
30N-003	100 PERCENT DIESEL EXHAUST FLUID FILL
23Z-002	NON-POLISHED ALUMINUM DIAMOND PLATE DIESEL EXHAUST FLUID TANK COVER
43X-001	LH HEAVY DUTY STANDARD DIESEL EXHAUST FLUID TANK LOCATION
43Y-001	STANDARD DIESEL EXHAUST FLUID TANK CAP
273-058	AIR POWERED ON/OFF ENGINE FAN CLUTCH
276-001	AUTOMATIC FAN CONTROL WITHOUT DASH SWITCH, NON ENGINE MOUNTED
110-068	DDC SUPPLIED ENGINE MOUNTED FUEL FILTER/FUEL WATER SEPARATOR WITH WATER-IN-FUEL INDICATOR
118-001	FULL FLOW OIL FILTER
266-1C1	1400 SQUARE INCH FUEL ECONOMY RADIATOR
103-039	ANTIFREEZE TO -34F, OAT (NITRITE AND SILICATE FREE) EXTENDED LIFE COOLANT
171-007	GATES BLUE STRIPE COOLANT HOSES OR EQUIVALENT
172-001	CONSTANT TENSION HOSE CLAMPS FOR COOLANT HOSES
269-001	STANDARD RADIATOR MOUNTING
270-019	HDEP VARIABLE SPEED COOLANT PUMP AND RADIATOR DRAIN VALVE
168-002	LOWER RADIATOR GUARD
138-041	PHILLIPS-TEMRO 1500 WATT/115 VOLT BLOCK HEATER WITH THERMOSTAT
140-022	CHROME ENGINE HEATER RECEPTACLE MOUNTED UNDER LH DOOR
134-001	ALUMINUM FLYWHEEL HOUSING
155-075	mitsubishi 12V MOD 3.175-DP60 STARTER WITH INTEGRATED MAGNETIC SWITCH

Transmission

342-593	DT12-1750-DHE EFFICIENT ON-HIGHWAY 12- SPEED DIRECT DRIVE AUTOMATED MANUAL TRANSMISSION
---------	---

Transmission Equipment

343-2BH	DT12 ECONOMY PACKAGE: ECONOMY ONLY, NO ICU CONTROL MENUS, NO KICKDOWN
85J-004	REVERSE GEAR RANGE LIMITED TO 2ND GEAR
86Q-998	NO TCU - AMT SHIFT CALIBRATION
347-002	ALUMINUM CLUTCH HOUSING



Prepared for:
 Mark Bylsma
 SPRING CREEK CARRIERS INC
 4695 Bartlett
 Road
 Beamsville, ON L0R 1B1
 Phone: 905-563-9989



Prepared by:
 Corey Crawford
 METRO FREIGHTLINER
 MILTON
 8050 LAWSON ROAD
 MILTON, ON L9T 5C4
 Phone: 905 664-7888

Data Code	Description
341-017	MAGNETIC PLUGS, ENGINE DRAIN, TRANSMISSION FILL AND DRAIN, AXLE(S) FILL AND DRAIN
345-078	HEAVY DUTY ELECTRONIC TRANSMISSION SHIFT CONTROL, COLUMN MOUNTED
370-998	NO TRANSMISSION OIL COOLER
35T-003	SYNTHETIC TRANSMISSION LUBE

Front Axle and Equipment

400-1A7	DETROIT DA-F-13.3-3 13,300# FF1 71.5 KPI/3.74 DROP SINGLE FRONT AXLE
402-075	BENDIX ADB22X AIR DISC FRONT BRAKES
403-043	2011/2013-FMVSS 121 RSD FRONT BRAKE LINING
419-004	FRONT DISC BRAKE ROTORS
427-001	FRONT BRAKE DUST SHIELDS
409-006	FRONT OIL SEALS
408-001	VENTED FRONT HUB CAPS WITH WINDOW, CENTER AND SIDE PLUGS - OIL
416-022	STANDARD SPINDLE NUTS FOR ALL AXLES
405-030	FRONT AIR DISC BRAKE INTERNAL ADJUSTERS
536-050	TRW THP-60 POWER STEERING
539-003	POWER STEERING PUMP
534-015	2 QUART SEE THROUGH POWER STEERING RESERVOIR
40T-002	CURRENT AVAILABLE SYNTHETIC 75W-90 FRONT AXLE LUBE

Front Suspension

620-1D8	13,300# TAPERLEAF FRONT SUSPENSION
619-005	MAINTENANCE FREE RUBBER BUSHINGS - FRONT SUSPENSION
410-001	FRONT SHOCK ABSORBERS

Rear Axle and Equipment

420-1U0	DETROIT DA-RT-40.0-4T HH 40,000# R-SERIES TANDEM REAR AXLE WITH AXLE LUBE MANAGEMENT(ALM)
421-216	2.16 REAR AXLE RATIO
424-001	IRON REAR AXLE CARRIER WITH STANDARD AXLE HOUSING
386-083	RPL35 MERITOR MAIN DRIVELINE
388-044	RPL25 MERITOR INTERAXLE DRIVELINE



Prepared for:
 Mark Bylsma
 SPRING CREEK CARRIERS INC
 4695 Bartlett
 Road
 Beamsville, ON L0R 1B1
 Phone: 905-563-9989



Prepared by:
 Corey Crawford
 METRO FREIGHTLINER
 MILTON
 8050 LAWSON ROAD
 MILTON, ON L9T 5C4
 Phone: 905 664-7888

Data Code	Description
878-019	(1) INTERAXLE LOCK VALVE FOR TANDEM OR TRIDEM DRIVE AXLES
87A-012	INDICATOR LIGHT FOR EACH INTERAXLE LOCKOUT SWITCH WITH IAD FEEDBACK
423-075	BENDIX ADB22X AIR DISC REAR BRAKES
433-043	2011/2013-FMVSS 121 RSD REAR BRAKE LININGS
434-003	STANDARD BRAKE CHAMBER LOCATION
451-005	REAR DISC BRAKE ROTORS
425-002	REAR BRAKE DUST SHIELDS
440-006	REAR OIL SEALS
426-094	AIR DISC LONGSTROKE 2-DRIVE AXLES SPRING PARKING CHAMBERS
428-030	REAR AIR DISC BRAKE INTERNAL ADJUSTERS
41T-006	FE 75W-85 REAR AXLE LUBE
42T-001	STANDARD REAR AXLE BREATHER(S)

Rear Suspension

622-005	AIRLINER 40,000# REAR SUSPENSION
621-118	7.9 INCH NOMINAL RIDE HEIGHT (415MM GLOBAL REFERENCE HEIGHT)
431-001	STANDARD AXLE SEATS IN AXLE CLAMP GROUP
624-016	51 INCH AXLE SPACING
888-048	MANUAL DUMP VALVE FOR AIR SUSPENSION WITH GAUGE
87D-007	INDICATOR LIGHT AND BUZZER FOR EACH REAR SUSPENSION CONTROL SWITCH
910-001	SINGLE AIR REAR SUSPENSION LEVELING VALVE
623-002	TRANSVERSE CONTROL RODS
439-005	REAR SHOCK ABSORBERS - TWO AXLES (TANDEM) (AIR RIDE SUSPENSION)

Brake System

490-1AW	WABCO 6S/6M ABS WITH HILL START AID AND TRACTION CONTROL WITH ATC SHUT OFF SWITCH
871-001	REINFORCED NYLON, FABRIC BRAID AND WIRE BRAID CHASSIS AIR LINES
904-001	FIBER BRAID PARKING BRAKE HOSE
412-001	STANDARD BRAKE SYSTEM VALVES
413-002	STD U.S. FRONT BRAKE VALVE



Prepared for:
 Mark Bylsma
 SPRING CREEK CARRIERS INC
 4695 Bartlett
 Road
 Beamsville, ON L0R 1B1
 Phone: 905-563-9989



Prepared by:
 Corey Crawford
 METRO FREIGHTLINER
 MILTON
 8050 LAWSON ROAD
 MILTON, ON L9T 5C4
 Phone: 905 664-7888

Data Code	Description
432-003	RELAY VALVE WITH 5-8 PSI CRACK PRESSURE, NO REAR PROPORTIONING VALVE
480-086	BW AD-9SI BRAKE LINE AIR DRYER WITH HEATER
483-003	BENDIX OIL COALESCING FILTER FOR AIR DRYER
479-015	AIR DRYER FRAME MOUNTED
460-001	STEEL AIR BRAKE RESERVOIRS
2TD-001	(1) 620 CUBIC INCH ALUMINUM TRANSMISSION AIR TANK, INLET CHECK VALVE
477-004	PULL CABLES ON ALL AIR RESERVOIR(S)

Trailer Connections

481-003	12 FOOT STRAIGHT TRAILER AIR HOSE
476-069	27 INCH STAINLESS STEEL SLIDE BAR WITH SPRING TYPE AIR HOSE HANGER
484-032	COMBINATION DUMMY GLAD HANDS AND LIGHT PLUG HOLDER MOUNTED LH BACK OF CAB WITH GROUND ACCESS
296-010	PRIMARY CONNECTOR/RECEPTACLE WIRED FOR SEPARATE STOP/TURN, ABS CENTER PIN POWERED THROUGH IGNITION
297-027	SAE J560 7-WAY PRIMARY TRAILER CABLE RECEPTACLE MOUNTED LOWER LH BACK OF CAB
310-002	12 FOOT DETACHABLE STRAIGHT PRIMARY TRAILER ELECTRICAL CABLE WITH SAE J560 CONNECTOR

Wheelbase & Frame

545-582	5825MM (229 INCH) WHEELBASE
546-1B9	7.0MM X 88.0MM X 279.0MM STEEL FRAME (0.28X3.46X10.98 INCH) 120 KSI
552-024	1350MM (53 INCH) REAR FRAME OVERHANG
55W-005	FRAME OVERHANG RANGE: 51 INCH TO 60 INCH
AC8-99D	CALC'D BACK OF CAB TO REAR SUSP C/L (CA) : 91.34 in
AE8-99D	CALCULATED EFFECTIVE BACK OF CAB TO REAR SUSPENSION C/L (CA) : 85.75 in
AE4-99D	CALC'D FRAME LENGTH - OVERALL : 314.2
FSS-0LH	CALCULATED FRAME SPACE LH SIDE : 13.79 in
FSS-0RH	CALCULATED FRAME SPACE RH SIDE : 22.27 in
AM6-99D	CALC'D SPACE AVAILABLE FOR DECKPLATE : 43.47 in



Prepared for:
 Mark Bylsma
 SPRING CREEK CARRIERS INC
 4695 Bartlett
 Road
 Beamsville, ON L0R 1B1
 Phone: 905-563-9989



Prepared by:
 Corey Crawford
 METRO FREIGHTLINER
 MILTON
 8050 LAWSON ROAD
 MILTON, ON L9T 5C4
 Phone: 905 664-7888

Data Code	Description
560-008	UNDER OR OVERSLUNG CROSSMEMBER
553-002	FLANGED TAPERED END OF FRAME
550-001	FRONT CLOSING CROSSMEMBER
559-003	LIGHTWEIGHT HEAVY DUTY ALUMINUM ENGINE CROSSMEMBER
562-001	STANDARD MIDSHIP #1 CROSSMEMBER(S)
572-001	STANDARD REARMOST CROSSMEMBER
565-001	STANDARD SUSPENSION CROSSMEMBER

Chassis Equipment

674-001	LH BACK OF CAB ACCESS
592-055	28 INCH (700MM) DECK PLATE FLUSH MOUNTED BETWEEN RAILS
556-079	SOLID DARK GRAY AERODYNAMIC BUMPER
558-070	REMOVABLE FRONT TOW/RECOVERY DEVICE, STORED ON CHASSIS FRAME
574-007	BUMPER MOUNTING FOR (3) LICENSE PLATES
585-042	BETTS B-25 PAINTED MUDFLAP BRACKETS
590-998	NO REAR MUDFLAPS
586-015	FRONT ANTI-SPRAY CAB MOUNTED MUDFLAPS
551-002	HUCK-SPIN ROUND COLLAR CHASSIS FASTENERS
44Z-002	EXTERIOR HARNESSSES WRAPPED IN ABRASION TAPE
583-059	PLASTIC QUARTER FENDERS WITH LOGO
489-031	FACTORY INSTALLED BENDIX NEXT GEN SMARTIRE TIRE PRESSURE MONITORING SYSTEM WITH WHEEL RIM MOUNTED NEXT GEN SENSORS AND INTEGRATED IN DASH

Fifth Wheel

578-1JG	HOLLAND FW35 ILS 24.0 INCH AIR SLIDE FIFTH WHEEL - 2 INCH SLIDE INCREMENTS
577-356	FIFTH WHEEL 356MM (14.0 INCHES) AHEAD OF SUSPENSION CENTERLINE
582-076	168MM (6.62 INCH) FIFTH WHEEL HEIGHT
570-001	STEEL OUTBOARD ANGLE - FIFTH WHEEL MOUNTING
890-001	DASH MOUNTED CONTROL AND PLUMBING FOR FIFTH WHEEL
579-005	LH FIFTH WHEEL RELEASE

Fuel Tanks



Prepared for:
 Mark Bylsma
 SPRING CREEK CARRIERS INC
 4695 Bartlett
 Road
 Beamsville, ON L0R 1B1
 Phone: 905-563-9989



Prepared by:
 Corey Crawford
 METRO FREIGHTLINER
 MILTON
 8050 LAWSON ROAD
 MILTON, ON L9T 5C4
 Phone: 905 664-7888

Data Code	Description
206-161	140 GALLON/529 LITER ALUMINUM FUEL TANK - RH
204-161	140 GALLON/529 LITER ALUMINUM FUEL TANK - LH
218-006	25 INCH DIAMETER FUEL TANK(S)
215-005	PLAIN ALUMINUM/PAINTED STEEL FUEL/HYDRAULIC TANK(S) WITH PAINTED BANDS
212-008	FUEL TANK(S) AFT
664-001	PLAIN STEP FINISH
205-001	FUEL TANK CAP(S)
216-020	EQUIFLO INBOARD FUEL SYSTEM
202-016	HIGH TEMPERATURE REINFORCED NYLON FUEL LINE

Tires

093-13N	BRIDGESTONE R213 ECOPIA 295/75R22.5 14 PLY RADIAL FRONT TIRES
094-1RY	BRIDGESTONE M726ELA 295/75R22.5 14 PLY RADIAL REAR TIRES

Hubs

418-058	CONMET PRESET PLUS PREMIUM ALUMINUM FRONT HUBS
450-058	CONMET PRESET PLUS PREMIUM ALUMINUM REAR HUBS

Wheels

502-693	ALCOA LVL ONE 88267X 22.5X8.25 10-HUB PILOT 5.80 INSET ALUMINUM DISC FRONT WHEELS
505-695	ALCOA ULTRA ONE ULT39X 22.5X8.25 10-HUB PILOT ALUMINUM DISC REAR WHEELS
524-001	POLISHED FRONT WHEELS; OUTSIDE ONLY
525-001	POLISHED REAR WHEELS; OUTSIDE OF OUTER WHEELS ONLY
50W-001	BENDIX SMARTIRE TIRE PRESSURE MONITORING SYSTEM WHEEL/RIM MOUNTED SENSORS, ALL WHEELS
496-011	FRONT WHEEL MOUNTING NUTS
497-011	REAR WHEEL MOUNTING NUTS
495-998	NO PUSHER/TAG WHEEL MOUNTING NUTS

Cab Exterior

829-111	126 INCH BBC ALUMINUM CONVENTIONAL CAB
---------	--



Prepared for:
 Mark Bylsma
 SPRING CREEK CARRIERS INC
 4695 Bartlett
 Road
 Beamsville, ON L0R 1B1
 Phone: 905-563-9989



Prepared by:
 Corey Crawford
 METRO FREIGHTLINER
 MILTON
 8050 LAWSON ROAD
 MILTON, ON L9T 5C4
 Phone: 905 664-7888

Data Code	Description
653-004	RH CAB DOOR(S) WITH 70 DEGREE DOOR STOP
651-004	LH CAB DOOR(S) WITH 70 DEGREE DOOR STOP
682-077	72 INCH RAISED ROOF SLEEPER CAB
784-074	RAISED ROOF AERODYNAMIC SPOILER, BLACK
783-019	12 INCH CAB/SLEEPER CAB SIDE EXTENDERS WITH BLACK FLEXIBLE ENDS
782-998	NO FRAME SIDE FAIRINGS
770-998	NO AERODYNAMIC SKIRT FOR CHASSIS FAIRINGS
704-037	LH AND RH BAGGAGE DOORS
650-008	AIR CAB MOUNTING
648-002	NONREMOVABLE BUGSCREEN MOUNTED BEHIND GRILLE
678-053	INTERIOR GRAB HANDLES WITH ADDED LOWER LH AND RH A PILLAR GRAB HANDLES
646-045	MOLD-IN COLOR GRILLE
65X-007	BLACK HOOD MOUNTED AIR INTAKE GRILLE WITH BRIGHT ACCENT
644-001	AERODYNAMIC HOOD
67U-002	HOOD OPENING ASSIST
652-026	NEW CASCADIA NAMEPLATE
727-1AY	SINGLE AIR HORN UNDER LH DECK
726-001	SINGLE ELECTRIC HORN
657-001	DOOR LOCKS AND IGNITION SWITCH KEYED THE SAME
78G-002	KEY QUANTITY OF 2
575-001	REAR LICENSE PLATE MOUNT END OF FRAME
312-075	LED LOW BEAM AND HIGH BEAM HEADLIGHTS
302-072	ROOF MOUNTED LED MARKER LIGHTS
315-070	LED FOG LIGHTS
311-019	HEADLIGHTS ON WITH WIPERS, WITH DAYTIME RUNNING LIGHTS
294-001	INTEGRAL STOP/TAIL/BACKUP LIGHTS
300-043	LED SIDE TURN SIGNAL
318-059	(2) FLUSH UTILITY LIGHTS MOUNTED BACK OF CAB/SLEEPER AND (2) CHROME SWIVEL UTILITY LIGHTS MOUNTED LH AND RH HIGH OUTBOARD ON SIDE EXTENDERS
744-1E4	DUAL BLACK HEATED AERODYNAMIC MIRRORS WITH INTEGRAL CONVEX AND LH AND RH REMOTE



Prepared for:
 Mark Bylsma
 SPRING CREEK CARRIERS INC
 4695 Bartlett
 Road
 Beamsville, ON L0R 1B1
 Phone: 905-563-9989



Prepared by:
 Corey Crawford
 METRO FREIGHTLINER
 MILTON
 8050 LAWSON ROAD
 MILTON, ON L9T 5C4
 Phone: 905 664-7888

Data Code	Description
797-001	DOOR MOUNTED MIRRORS
74A-998	NO AUXILIARY MIRROR
74B-1B7	RH AND LH HEATED BLACK HOOD/FENDER MOUNTED MIRRORS
729-001	STANDARD SIDE/REAR REFLECTORS
73A-002	REAR REFLECTIVE DEVICE
677-054	RH AFTERTREATMENT SYSTEM CAB ACCESS WITH PLAIN DIAMOND PLATE COVER
776-998	NO SLEEPER VENT
661-016	SOLAR TINTED DOOR GLASS LH AND RH WITH TINTED FORWARD SIDE GLASS
654-011	RH AND LH ELECTRIC POWERED WINDOWS
76Z-007	LH AND RH SOLAR TINTED AND SCREENED CRANK OUT SLEEPER CAP WINDOWS
767-053	LH AND RH TINTED AND SCREENED SLIDING WINDOWS
663-019	1-PIECE ROPED-IN SOLAR GREEN GLASS WINDSHIELD
659-007	8 LITER (2 GAL) WINDSHIELD WASHER RESERVOIR, CAB MOUNTED, WITHOUT FLUID LEVEL INDICATOR

Cab Interior

707-114	MIDNIGHT BASE LEVEL INTERIOR
70K-024	MIDNIGHT WITH ONYX HARD TRIM
706-034	STANDARD LH DOOR TRIM
708-034	STANDARD RH DOOR TRIM
772-001	BLACK MATS
773-019	CARPET IN SLEEPER AREA
771-001	BLACK MATS IN BAGGAGE COMPARTMENT
785-014	(2) DASH MOUNTED POWER OUTLETS AND COIN TRAY
64D-011	SLEEPER TALL CLOSET WITH WRITING SURFACE AND UPPER STORAGE
64E-011	MICROWAVE SHELF WITH UPPER STORAGE AND FACTORY INSTALLED REFRIGERATOR
691-006	FORWARD ROOF MOUNTED CONSOLE WITH DOORS RH AND LH
693-019	LH AND RH DOOR STORAGE POCKETS INTEGRATED INTO MOLDED DOOR PANELS
741-020	STORAGE POCKET(S) MOUNTED INSIDE CABINET DOOR(S)
826-012	40 INCH WIDE LIFTABLE LOWER BUNK



Prepared for:
 Mark Bylsma
 SPRING CREEK CARRIERS INC
 4695 Bartlett
 Road
 Beamsville, ON L0R 1B1
 Phone: 905-563-9989



Prepared by:
 Corey Crawford
 METRO FREIGHTLINER
 MILTON
 8050 LAWSON ROAD
 MILTON, ON L9T 5C4
 Phone: 905 664-7888

Data Code	Description
745-001	FOLDABLE UPPER BUNK
666-005	TENT STYLE LOWER BUNK RESTRAINT
738-021	DIGITAL ALARM CLOCK IN DRIVER DISPLAY
680-036	WING DASH WITH E-VAULT
700-014	HEATER, DEFROSTER AND AIR CONDITIONER WITH CONSTANT OUTLET TEMPERATURE CONTROL
701-002	HVAC DUCTING WITH MAIN FRESH AIR FILTER
703-005	MAIN HVAC CONTROLS WITH RECIRCULATION SWITCH
689-096	DUAL PARKED BATTERY POWERED HVAC SYSTEM WITH ESPAR D5
170-015	STANDARD HEATER PLUMBING
130-041	VALEO HEAVY DUTY A/C REFRIGERANT COMPRESSOR
698-001	RADIATOR MOUNTED AIR CONDITIONER CONDENSER
702-002	BINARY CONTROL, R-134A
739-034	PREMIUM INSULATION
285-013	SOLID-STATE CIRCUIT PROTECTION AND FUSES
280-007	12V NEGATIVE GROUND ELECTRICAL SYSTEM
322-038	DOOR AND BUNK ACTIVATED LH AND RH BUNK MOUNTED LED BAGGAGE COMPARTMENT LIGHTS
324-1B2	PREMIUM LED CAB LIGHTING
325-076	PREMIUM LED SLEEPER LIGHTING
655-001	CAB DOOR LATCHES WITH MANUAL DOOR LOCKS
64C-002	BRIGHT DOOR HANDLES
740-030	SPRING LOWER AND FLAT FOAM UPPER MATTRESSES WITH REMOVABLE VINYL COVERS
284-075	(2) 12 VOLT POWER OUTLETS AT BASE OF BUNK
337-001	AC 120 VOLT CAB WIRING AND AC OUTLET WITH SHORE POWER ONLY
710-001	CAB PRIVACY CURTAIN
719-017	BUILT-IN REFRIGERATOR



Prepared for:
 Mark Bylsma
 SPRING CREEK CARRIERS INC
 4695 Bartlett
 Road
 Beamsville, ON L0R 1B1
 Phone: 905-563-9989



Prepared by:
 Corey Crawford
 METRO FREIGHTLINER
 MILTON
 8050 LAWSON ROAD
 MILTON, ON L9T 5C4
 Phone: 905 664-7888

Data Code	Description
756-1J7	ELITE 2.0 HIGH BACK AIR SUSPENSION DRIVER SEAT W/2 AIR LUMBAR,ACTIVE BOLSTER,INTEGRATED CUSHION EXTENSION, TILT,ADJUSTABLE SHOCK, MAP POCKET, HEAT & VENTILATION
760-1J6	PREMIUM 2.0 HIGH BACK AIR SUSPENSION PASSENGER SEAT WITH 2 AIR LUMBAR, INTEGRATED CUSHION EXTENSION, TILT AND ADJUSTABLE SHOCK
757-001	BLACK SUSPENSION COVER FOR AIR DRIVER SEAT
759-005	DUAL DRIVER AND PASSENGER SEAT ARMRESTS
758-022	BLACK MORDURA CLOTH DRIVER SEAT COVER
761-023	BLACK MORDURA CLOTH PASSENGER SEAT COVER
763-1AA	3 POINT ADJUSTABLE D-RING RETRACTOR DRIVER AND FIXED D-RING RETRACTOR PASSENGER SEAT BELTS
709-006	SLEEPER CURTAIN
532-002	ADJUSTABLE TILT AND TELESCOPING STEERING COLUMN
540-070	4-SPOKE 18 INCH (450MM) LEATHER WRAPPED STEERING WHEEL WITH CHROME SWITCH BEZELS
765-002	DRIVER AND PASSENGER INTERIOR SUN VISORS

Instruments & Controls

106-004	ELECTRONIC ACCELERATOR CONTROL WITH KICKDOWN FEATURE
734-018	STANDARD CENTER INSTRUMENT PANEL
870-001	BLACK GAUGE BEZELS
486-001	LOW AIR PRESSURE INDICATOR LIGHT AND AUDIBLE ALARM
838-001	(1) SINGLE BRAKE APPLICATION AIR GAUGE
840-001	DUAL NEEDLE PRIMARY AND SECONDARY AIR PRESSURE GAUGE
198-025	INTAKE MOUNTED AIR RESTRICTION INDICATOR WITHOUT GRADUATIONS
149-045	ELECTRONIC CRUISE CONTROL WITH INTELLIGENT POWERTRAIN MANAGEMENT AND CONTROLS ON STEERING WHEEL SPOKES
156-016	KEY OPERATED IGNITION SWITCH AND INTEGRAL START POSITION AND DDC OPTIMIZED IDLE SYSTEM



Prepared for:
 Mark Bylsma
 SPRING CREEK CARRIERS INC
 4695 Bartlett
 Road
 Beamsville, ON L0R 1B1
 Phone: 905-563-9989



Prepared by:
 Corey Crawford
 METRO FREIGHTLINER
 MILTON
 8050 LAWSON ROAD
 MILTON, ON L9T 5C4
 Phone: 905 664-7888

Data Code	Description
811-044	PREMIUM INSTRUMENT CLUSTER WITH 5.0 INCH TFT COLOR DISPLAY
81B-003	DIGITAL PANEL LAMP DIMMER SWITCH IN DRIVER DISPLAY
160-038	HEAVY DUTY ONBOARD DIAGNOSTICS INTERFACE CONNECTOR LOCATED BELOW LH DASH
844-001	2 INCH ELECTRIC FUEL GAUGE
845-011	FUEL FILTER RESTRICTION INDICATOR
148-085	EMISSIONS LIMITED IDLE ADJUST
866-019	DIGITAL DUAL REAR AXLE TEMPERATURE IN DRIVER DISPLAY WITH SENSOR SHIELDS
856-001	ELECTRICAL ENGINE COOLANT TEMPERATURE GAUGE
854-008	DIGITAL ENGINE OIL TEMPERATURE IN DRIVER DISPLAY
867-004	ELECTRONIC OUTSIDE TEMPERATURE SENSOR DISPLAY IN DRIVER MESSAGE CENTER
830-031	ENGINE, TRIP AND PTO HOUR METERS INTEGRAL WITHIN DRIVER DISPLAY
736-140	DETROIT ASSURANCE, ACTIVE BRAKE ASSIST 5, WITH ADAPTIVE CRUISE CONTROL TO 0 MPH AND FIXED HEADWAY
73K-998	NO SIDE OBJECT DETECTION SYSTEM
7A1-998	NO MIRROR CAMERA SYSTEM
49B-004	ELECTRONIC STABILITY CONTROL
14L-998	NO SERVICE BRAKE ACTUATION HOLD (SCO)
73B-031	DETROIT ASSURANCE 5.0 LANE DEPARTURE WARNING SYSTEM WITH 15 MINUTE OFF TIMEOUT DASH SWITCH
73U-001	TRAFFIC SIGN DISPLAY
852-002	ELECTRIC ENGINE OIL PRESSURE GAUGE
746-135	AM/FM/WB WORLD TUNER RADIO WITH SIRIUSXM, BLUETOOTH, IPOD INTERFACE, USB AND AUXILIARY INPUTS, J1939
747-001	DASH MOUNTED RADIO
750-041	STANDARD SPEAKER SYSTEM
748-014	COBRA 29NW LTD CLASSIC FACTORY INSTALLED CB RADIO
749-001	ROOF/OVERHEAD CONSOLE CB RADIO PROVISION
752-050	INTEGRATED AERO-ROOF CB ANTENNA



Prepared for:
 Mark Bylsma
 SPRING CREEK CARRIERS INC
 4695 Bartlett
 Road
 Beamsville, ON L0R 1B1
 Phone: 905-563-9989



Prepared by:
 Corey Crawford
 METRO FREIGHTLINER
 MILTON
 8050 LAWSON ROAD
 MILTON, ON L9T 5C4
 Phone: 905 664-7888

Data Code	Description
75W-001	HEADLINER MULTI-BAND ANTENNA: AM/FM/WEATHERBAND, WIFI/BLUETOOTH, GNSS/GPS
78C-003	INTEROPERABLE SDAR ANTENNA
737-001	TELEVISION ANTENNA
810-028	ELECTRONIC KPH SPEEDOMETER WITH SECONDARY MPH SCALE, WITHOUT ODOMETER
817-001	STANDARD VEHICLE SPEED SENSOR
812-032	ELECTRONIC 2500 RPM TACHOMETER
813-1C8	DETROIT CONNECT PLATFORM HARDWARE
8D1-165	5 YEARS DETROIT CONNECT SAFETY EVENT VIEWER PACKAGE FOR DETROIT ASSURANCE (INCLUDES BASE PACKAGE FEATURES)
6TS-012	(3) TMC RP 1226 ACCESSORY CONNECTORS: (2) LOCATED BEHIND PASSENGER SIDE REMOVABLE DASH PANEL, AND (1) LOCATED CENTER OF OVERHEAD CONSOLE
162-002	IGNITION SWITCH CONTROLLED ENGINE STOP
81Y-005	PRE-TRIP INSPECTION FEATURE FOR EXTERIOR LAMPS ONLY
264-033	STEERING WHEEL MOUNTED ELECTRIC HORN CONTROL
482-001	BW TRACTOR PROTECTION VALVE
883-001	TRAILER HAND CONTROL BRAKE VALVE
836-015	DIGITAL VOLTAGE DISPLAY INTEGRAL WITH DRIVER DISPLAY
660-008	SINGLE ELECTRIC WINDSHIELD WIPER MOTOR WITH DELAY
304-030	ROTARY HEADLAMP SWITCH, MARKER LIGHTS/HEADLIGHTS SWITCH WITH PULL OUT FOR OPTIONAL FOG/ROAD LAMPS
882-021	TWO VALVE PARKING BRAKE SYSTEM WITH DASH VALVE CONTROL AUTONEUTRAL AND WARNING INDICATOR
299-028	MANUAL TURN SIGNAL SWITCH WITH DIMMER, HEADLAMP FLASH, WASH/WIPE/INTERMITTENT
298-046	INTEGRAL ELECTRONIC TURN SIGNAL FLASHER WITH 40 AMP (20 AMP PER SIDE) TRAILER LAMP CAPACITY
3ZM-998	NO MULTIMEDIA BOX
3ZN-998	NO NAVIGATION

Design

065-000 PAINT: ONE SOLID COLOR



Prepared for:
 Mark Bylsma
 SPRING CREEK CARRIERS INC
 4695 Bartlett
 Road
 Beamsville, ON L0R 1B1
 Phone: 905-563-9989



Prepared by:
 Corey Crawford
 METRO FREIGHTLINER
 MILTON
 8050 LAWSON ROAD
 MILTON, ON L9T 5C4
 Phone: 905 664-7888

Data Code Description

Color

980-5V7 CAB COLOR A: L0252EY COKE RED ELITE EY
 986-020 BLACK, HIGH SOLIDS POLYURETHANE CHASSIS
 PAINT

Certification / Compliance

996-002 CANADA CMVSS CERTIFICATION, EXCEPT
 SALES CABS AND GLIDER KITS

Secondary Factory Options

974-202 ENGINE PROGRAMMING PROCESS FLAG

Raw Performance Data

AE8-99D CALCULATED EFFECTIVE BACK OF CAB TO
 REAR SUSPENSION C/L (CA) : 85.75 in
 AM6-99D CALC'D SPACE AVAILABLE FOR DECKPLATE :
 43.47 in

Extended Warranty

WAI-4F2 EW4: DD15 HWY. \$0 DEDUCTIBLE 6 YEARS/600,000 MILES/966,000
 KM FEX APPLIES
 WBE-024 PARKSMART: 5 YEAR/500,000 MILES/805,000 KM EXTENDED
 PARKSMART COVERAGE FEX APPLIES
 WBD-024 DETROIT CLUTCH EXT WARRANTY, 5 YEAR/500,000 MILE/805,000
 KM FEX APPLIES
 WAG-014 TOWING: 5 YEARS/UNLIMITED MILES/KM EXTENDED TOWING
 COVERAGE \$550 CAP FEX APPLIES

(***) All cost increases for major components (Engines, Transmissions, Axles, Front and Rear Tires) and government mandated requirements, tariffs, and raw material surcharges will be passed through and added to factory invoices.



Prepared for:
Mark Bylsma
SPRING CREEK CARRIERS INC
4695 Bartlett
Road
Beamsville, ON L0R 1B1
Phone: 905-563-9989



Prepared by:
Corey Crawford
METRO FREIGHTLINER
MILTON
8050 LAWSON ROAD
MILTON, ON L9T 5C4
Phone: 905 664-7888

QUOTATION

CASCADIA 126 INCH SLEEPERCAB

SET BACK AXLE - TRACTOR	13,300# TAPERLEAF FRONT SUSPENSION
DETROIT DD15 GEN 5 IDP 14.8L 425 HP @ 1500 RPM, 1900 GOV RPM, 1750 LB-FT @ 900 RPM	126 INCH BBC ALUMINUM CONVENTIONAL CAB
DT12-1750-DHE EFFICIENT ON-HIGHWAY 12-SPEED DIRECT DRIVE AUTOMATED MANUAL TRANSMISSION	72 INCH RAISED ROOF SLEEPERCAB
DETROIT DA-RT-40.0-4T HH 40,000# R-SERIES TANDEM REAR AXLE WITH AXLE LUBE MANAGEMENT(ALM)	5825MM (229 INCH) WHEELBASE
AIRLINER 40,000# REAR SUSPENSION	HOLLAND FW35 ILS 24.0 INCH AIR SLIDE FIFTH WHEEL - 2 INCH SLIDE INCREMENTS
DETROIT DA-F-13.3-3 13,300# FF1 71.5 KPI/3.74 DROP SINGLE FRONT AXLE	7.0MM X 88.0MM X 279.0MM STEEL FRAME (0.28X3.46X10.98 INCH) 120 KSI
	1350MM (53 INCH) REAR FRAME OVERHANG

PER UNIT

TOTAL