

Experian AutoCheck Report

Report run: 05/20/2026 11:26:31 EDT

2005 Freightliner MT45 Chassis

Chassis Chassis (4.3L 14 DI Diesel)

VIN:	4UZAANCP65CU90887
Class:	Medium/Heavy Truck
Country of Assembly:	United States
Estimated In Service:	05/04/2005
Last Reported Odometer:	210,897 (08/15/2017)

Owners - 6



Vehicle Usage
Personal

AutoCheck Score Not Available

AutoCheck Score

Vehicle History at a Glance



State Title Brand



CLEAN



Auction Brand / Issues



NO ISSUE



Accident / Damage



MINOR



Open Recall Check



NO OPEN RECALLS



Insurance Loss / Transfer



NO ISSUE



Odometer Check

Last reported odometer:
210,897 (08/15/2017)



NO ISSUE



Certified Pre-Owned



NO CPO INFO AVAILABLE



Service / Repair



NO ISSUE



Additional History

Lien Reported



EVENTS REPORTED



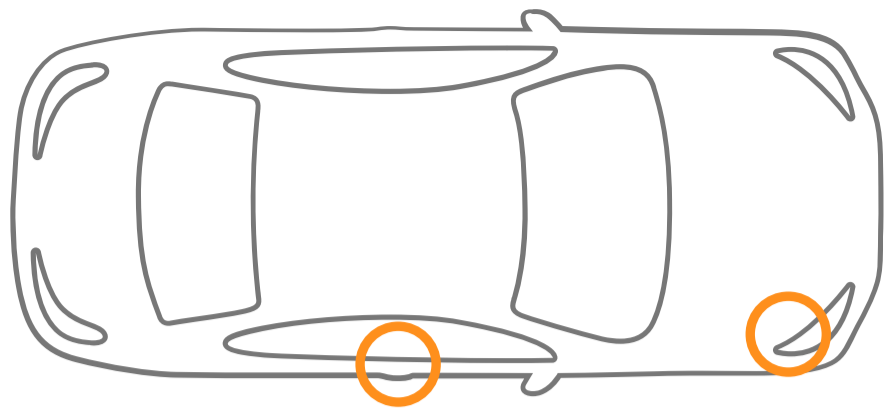
This vehicle is not eligible for Buyback Protection

Due to the vehicle's history showing no reported major state title brands. [Terms & Conditions](#)

[Learn More](#)



Accident & Damage



Airbag Deployed



Structural Damage



Overturned



Minor

Damage Date	Damage Type	Severity
06/25/2014	Collision	Minor
09/13/2016	Collision	Minor

Accident or damage event(s) have been reported for this vehicle to Experian AutoCheck. An inspection may provide added confidence in the vehicle's condition before purchase.

Odometer Check



Your Vehicle Checks Out

No odometer brands, rollbacks, rollover or tampering has been reported to AutoCheck from state Division of Motor Vehicles (DMV) or auction sources. AutoCheck also examined the sequence of reported odometer readings to determine if there are any potential discrepancies.



State Title Odometer Check

No issues reported



Auction Odometer Check

No issues reported



Odometer Calculation Check

No issues reported

Detailed Vehicle History

Below are the historical events for this vehicle listed in chronological order.

Vehicle: 2005 Freightliner MT45 Chassis (4UZAANCP65CU90887) Report Run Date: 05/20/2026 11:26:31 EDT

2005

Vehicle Prep and Other Pre-Titling Events

Location: FL

Preparation Date: 05/2005

Event Date	Location	Odometer	Data Source	Details
05/04/2005	FL	1,382	Motor Vehicle Dept.	Odometer Reading from DMV

2005

Owner 1

Location: FL

Owned From: 05/2005

Usage: Personal

Event Date	Location	Odometer	Data Source	Details
05/13/2005	FL		Motor Vehicle Dept.	Title(Title #:0093109949) (Lien Reported)
05/13/2005	LARGO, FL		Motor Vehicle Dept.	Registration Event/Renewal
11/01/2005	LARGO, FL		Motor Vehicle Dept.	Registration Event/Renewal
01/02/2007	MIAMI, FL		Motor Vehicle Dept.	Registration Event/Renewal

2008

Owner 2

Location: FL

Owned From: 01/2008

Usage: Personal

Event Date	Location	Odometer	Data Source	Details
01/21/2008	PALM HARBOR, FL		Motor Vehicle Dept.	Registration Event/Renewal
11/04/2008	PALM HARBOR, FL		Motor Vehicle Dept.	Registration Event/Renewal

2009

Owner 3

Location: FL

Owned From: 07/2009

Usage: Personal

Event Date	Location	Odometer	Data Source	Details
07/01/2009	FL		Motor Vehicle Dept.	Title(Title #:0093109949) Registration Event/Renewal
12/28/2009	WESLEY CHAPEL, FL		Motor Vehicle Dept.	Registration Event/Renewal
01/03/2011	WESLEY CHAPEL, FL		Motor Vehicle Dept.	Registration Event/Renewal
12/29/2011	WESLEY CHAPEL, FL		Motor Vehicle Dept.	Registration Event/Renewal
02/03/2012	WESLEY CHAPEL, FL		Motor Vehicle Dept.	Registration Event/Renewal
02/21/2012	WESLEY CHAPEL, FL	171,930	Motor Vehicle Dept.	Title(Title #:0093109949)
12/27/2012	WESLEY CHAPEL, FL		Motor Vehicle Dept.	Registration Event/Renewal
12/19/2013	WESLEY CHAPEL, FL		Motor Vehicle Dept.	Registration Event/Renewal
06/25/2014	CLEARWATER, FL		State Agency	Right Front Impact with Another Vehicle(Case #:6652946) Minor Damage Reported
12/16/2014	WESLEY CHAPEL, FL		Motor Vehicle Dept.	Registration Event/Renewal
12/29/2015	WESLEY CHAPEL, FL		Motor Vehicle Dept.	Registration Event/Renewal
09/13/2016	FL		State Agency	Right Side Impact with a Pedacycle(Case #:8258548) Minor Damage Reported
12/22/2016	BRADENTON, FL		Motor Vehicle Dept.	Registration Event/Renewal

2017

Owner 4

Location: FL

Owned From: 08/2017

Usage: Personal

Event Date	Location	Odometer	Data Source	Details
08/15/2017	FL	210,897	Motor Vehicle Dept.	Odometer Reading from DMV
08/15/2017	TAMPA, FL		Motor Vehicle Dept.	Registration Event/Renewal
08/17/2017	TAMPA, FL		Motor Vehicle Dept.	Title(Title #:0093109949) (Lien Reported)
11/20/2017	TAMPA, FL		Motor Vehicle Dept.	Registration Event/Renewal
10/11/2018	TAMPA, FL		Motor Vehicle Dept.	Registration Event/Renewal
12/31/2019	TAMPA, FL		Motor Vehicle Dept.	Registration Event/Renewal

2020

Owner 5

Location: FL Owned From: 12/2020 Usage: Personal				
Event Date	Location	Odometer	Data Source	Details
12/29/2020	TAMPA, FL		Motor Vehicle Dept.	Registration Event/Renewal
01/04/2022	TAMPA, FL		Motor Vehicle Dept.	Registration Event/Renewal
12/29/2022	TAMPA, FL		Motor Vehicle Dept.	Registration Event/Renewal
12/27/2023	TAMPA, FL		Motor Vehicle Dept.	Registration Event/Renewal

2025

Owner 6

Location: FL Owned From: 01/2025 Usage: Personal				
Event Date	Location	Odometer	Data Source	Details
01/06/2025	ZEPHYRHILLS, FL		Motor Vehicle Dept.	Registration Event/Renewal Excluded/Exempt
04/01/2026	NEW PORT RICHEY, FL		Motor Vehicle Dept.	Title(Title #:0093109949) Excluded/Exempt

AutoCheck Terms and Conditions

This report, and any reliance upon it, is subject to [AutoCheck Terms and Conditions](#). If you obtained the report from a lender/dealer, the lender/dealer has been provided with these Terms and Conditions and can share them with you. These AutoCheck Terms and Conditions are also available at any time at www.autocheck.com/terms or by writing to Experian: Experian Automotive C/O AutoCheck Customer Service 1515 E. Woodfield Road, Suite 500, Schaumburg, IL 60173.

Buyback Protection Terms and Conditions

This vehicle (4UZAANCP65CU90887) does not qualify for AutoCheck Buyback Protection.

About AutoCheck

AutoCheck vehicle history reports by Experian Automotive is the leading vehicle history reporting service. With expert data handling, the Experian Automotive database houses over 4 billion records on a half a billion vehicles. Every AutoCheck vehicle history report will give you confidence when buying or selling your next used vehicle, with superior customer service every step of the way.

Patent Notice

Certain aspects of this vehicle history report may be covered by U.S. Patent 8,005,759.