

Experian AutoCheck Report

Report run: 05/13/2026 11:39:26 EDT

2002 Toyota Avalon XL / XLS

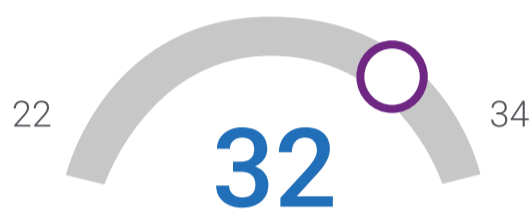
Sedan 4D (3.0L V6 FI Gasoline)

VIN:	4T1BF28B42U205174
Class:	Car - Large
Country of Assembly:	United States
Vehicle Age:	24 year(s)
Estimated In Service:	08/06/2001
Last Reported Odometer:	202,157 (06/02/2025)

Owners - 4



Vehicle Usage
Personal



AutoCheck Score

Similar vehicles usually range between 22 and 34

Vehicle History at a Glance

<p>State Title Brand</p> <p>CLEAN</p>	<p>Auction Brand / Issues</p> <p>NO ISSUE</p>	<p>Accident / Damage</p> <p>Multiple Damage Events</p> <p>MODERATE</p>
<p>Open Recall Check</p> <p>1 OPEN RECALL(S)</p>	<p>Insurance Loss / Transfer</p> <p>NO ISSUE</p>	<p>Odometer Check</p> <p>Last reported odometer: 202,157 (06/02/2025)</p> <p>NO ISSUE</p>
<p>Certified Pre-Owned</p> <p>NO CPO INFO AVAILABLE</p>	<p>Service / Repair</p> <p>NO ISSUE</p>	<p>Additional History</p> <p>Lien Reported, Duplicate Title</p> <p>EVENTS REPORTED</p>



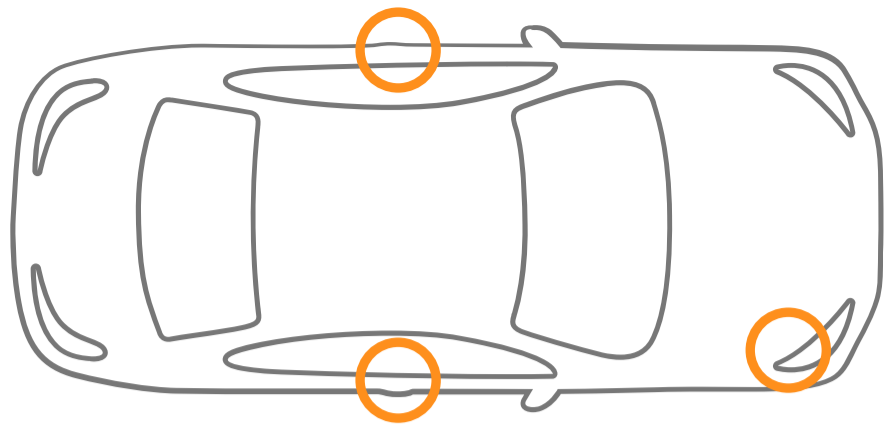
This vehicle is eligible for Buyback Protection

Due to the vehicle's history showing no reported major state title brands. [Terms & Conditions](#)

[Learn More](#)



Accident & Damage



Airbag Deployed



Structural Damage



Overturned



Moderate

Damage Date	Damage Type	Severity
02/12/2004	Collision	Moderate
01/28/2017	Collision	Minor
05/03/2019	Collision	Unknown
04/08/2021	Collision	Moderate
05/05/2025	Collision	Unknown

Accident or damage event(s) have been reported for this vehicle to Experian AutoCheck. An inspection may provide added confidence in the vehicle's condition before purchase.

Open Recall Check



Information Reported: AutoCheck found 1 open recall(s).

It is recommended that this vehicle be taken to the nearest dealer to have the recalled components replaced or fixed. Service bulletins if available are not part of open recalls and can be found in the vehicle history details.

Recall Date - 07/29/2010

Recall Type - Safety

NHTSA / OEM Recall No. - 10V345 / A0H-61

Campaign Description - Safety Recall: SAFETY RECALL A0H - CERTAIN 2000 THROUGH 2004 TOYOTA AVALON VEHICLES STEERING COLUMN UPPER BRACKET
Status: Remedy Available

[More information](#) including remedy or risk factors. Locate your nearest authorized [Toyota Dealer](#) to schedule repair.

Recommended Maintenance

OEM Recommended Maintenance Schedule

Based on your vehicle's last reported mileage, these are the most recent and upcoming recommended maintenance intervals from your vehicle's manufacturer.

OEM Recommended Services



120000 Mile Service

- Four Wheel Alignment
- Fuel Induction Service
- Inspect automatic transmission fluid

Odometer Check



Your Vehicle Checks Out

No odometer brands, rollbacks, rollover or tampering has been reported to AutoCheck from state Division of Motor Vehicles (DMV) or auction sources. AutoCheck also examined the sequence of reported odometer readings to determine if there are any potential discrepancies.



State Title Odometer Check

No issues reported



Auction Odometer Check

No issues reported



Odometer Calculation Check

No issues reported

Detailed Vehicle History

Below are the historical events for this vehicle listed in chronological order.
Vehicle: 2002 Toyota Avalon XL / XLS (4T1BF28B42U205174) Report Run Date: 05/13/2026 11:39:26 EDT

2001

Vehicle Prep and Other Pre-Titling Events

Location: FL

Preparation Date: 08/2001

Event Date	Location	Odometer	Data Source	Details
08/06/2001	FL		Independent Source	Vehicle Manufactured and Shipped to Dealer
08/29/2001	FL	15	Motor Vehicle Dept.	Odometer Reading from DMV

2001

Owner 1

Location: FL

Owned From: 12/2001

Usage: Personal

Event Date	Location	Odometer	Data Source	Details
12/03/2001	DELAND, FL		Motor Vehicle Dept.	Registration Event/Renewal
12/13/2002	DELAND, FL		Motor Vehicle Dept.	Registration Event/Renewal
12/08/2003	DELAND, FL		Motor Vehicle Dept.	Registration Event/Renewal
02/12/2004	FL		State Agency	Right Side Impact with Another Vehicle(Case #:74667501) Moderate Damage Reported
12/15/2004	DELAND, FL		Motor Vehicle Dept.	Registration Event/Renewal
12/13/2005	DELAND, FL		Motor Vehicle Dept.	Registration Event/Renewal
04/13/2006	DELAND, FL		Motor Vehicle Dept.	Title(Title #:0084574188) (Lien Reported)

2006

Owner 2

Location: FL

Owned From: 05/2006

Usage: Personal

Event Date	Location	Odometer	Data Source	Details
05/16/2006	FL	15,495	Motor Vehicle Dept.	Odometer Reading from DMV
05/16/2006	ORANGE CITY, FL		Motor Vehicle Dept.	Registration Event/Renewal
05/18/2006	ORANGE CITY, FL		Motor Vehicle Dept.	Title(Title #:0084574188)
02/08/2007	ORANGE CITY, FL		Motor Vehicle Dept.	Registration Event/Renewal
07/11/2007	FL	31,004	Motor Vehicle Dept.	Odometer Reading from DMV

2007

Owner 3

Location: FL

Owned From: 07/2007

Usage: Personal

Event Date	Location	Odometer	Data Source	Details
07/20/2007	LADY LAKE, FL		Motor Vehicle Dept.	Title(Title #:0084574188)
07/20/2007	LADY LAKE, FL		Motor Vehicle Dept.	Registration Event/Renewal
03/06/2008	LADY LAKE, FL		Motor Vehicle Dept.	Registration Event/Renewal
02/13/2009	LADY LAKE, FL		Motor Vehicle Dept.	Registration Event/Renewal
02/19/2010	LADY LAKE, FL		Motor Vehicle Dept.	Registration Event/Renewal
07/29/2010			Manufacturer	Manufacturer Recall NHTSA Recall 10V345 / Mfr. Recall A0H-61 Safety Recall: SAFETY RECALL A0H - CERTAIN 2000 THROUGH 2004 TOYOTA AVALON VEHICLES STEERING COLUMN UPPER BRACKET LOCATE YOUR NEAREST AUTHORIZED TOYOTA DEALER TO SCHEDULE REPAIR. Status: Remedy Available
04/04/2011	LADY LAKE, FL		Motor Vehicle Dept.	Registration Event/Renewal
02/21/2012	LADY LAKE, FL		Motor Vehicle Dept.	Registration Event/Renewal
02/19/2013	LADY LAKE, FL		Motor Vehicle Dept.	Registration Event/Renewal
01/27/2014	LADY LAKE, FL		Motor Vehicle Dept.	Registration Event/Renewal
02/19/2015	LADY LAKE, FL		Motor Vehicle Dept.	Registration Event/Renewal
02/11/2016	LADY LAKE, FL		Motor Vehicle Dept.	Registration Event/Renewal
01/28/2017	LADY LAKE, FL		State Agency	Right Front Impact with Another Vehicle(Case #:8524751) Minor Damage Reported Accident Reported(Report #:17-001243)
03/28/2017	LADY LAKE, FL		Motor Vehicle Dept.	Registration Event/Renewal
03/26/2018	LADY LAKE, FL		Motor Vehicle Dept.	Registration Event/Renewal
03/05/2019	LADY LAKE, FL		Motor Vehicle Dept.	Registration Event/Renewal
05/03/2019	OCALA, FL		Damage Report	Accident or Damage Reported Vehicle Damage Reported Left Side Damage or Repair Reported Right Side Damage or Repair Reported Damage or Repair to Bumper Reported Damage or Repair to Quarter Panel Reported Damage or Repair to Fender Reported
03/09/2020	LADY LAKE, FL		Motor Vehicle Dept.	Registration Event/Renewal
03/01/2021	LADY LAKE, FL		Motor Vehicle Dept.	Registration Event/Renewal
04/08/2021	LADY LAKE, FL		Police Report	Right Side Impact with Another Vehicle Accident Reported(Report #:L21004978) Moderate Damage Reported
03/04/2022	LADY LAKE, FL		Motor Vehicle Dept.	Registration Event/Renewal
03/08/2023	LADY LAKE, FL		Motor Vehicle Dept.	Registration Event/Renewal
03/26/2024	LADY LAKE, FL		Motor Vehicle Dept.	Registration Event/Renewal
03/21/2025	LADY LAKE, FL		Motor Vehicle Dept.	Registration Event/Renewal



Event Date	Location	Odometer	Data Source	Details
05/05/2025	FL		Police Report	Left Side Impact with Another Vehicle Accident Reported(Report #:SCSO25CAD054308) Vehicle Was Towed
05/30/2025	FL	202,045	Motor Vehicle Dept.	Odometer Reading from DMV
06/02/2025	FL	202,157	Auto Auction	Reported at Auto Auction
07/15/2025	LADY LAKE, FL		Motor Vehicle Dept.	Title(Title #:0084574188) Duplicate Title

2025

Owner 4

<div style="display: flex; justify-content: space-between; background-color: #0056b3; color: white; padding: 5px;"> Location: ND Owned From: 10/2025 Usage: Personal </div>				
Event Date	Location	Odometer	Data Source	Details
10/20/2025	TURTLE LAKE, ND		Motor Vehicle Dept.	Title(Title #:ND1525468672)

AutoCheck Terms and Conditions

This report, and any reliance upon it, is subject to [AutoCheck Terms and Conditions](#). If you obtained the report from a lender/dealer, the lender/dealer has been provided with these Terms and Conditions and can share them with you. These AutoCheck Terms and Conditions are also available at any time at www.autocheck.com/terms or by writing to Experian: Experian Automotive C/O AutoCheck Customer Service 1515 E. Woodfield Road, Suite 500, Schaumburg, IL 60173.

Buyback Protection Terms and Conditions

This vehicle (4T1BF28B42U205174) qualifies for [AutoCheck Buyback Protection](#). If you obtained the report from a dealer, the dealer has been provided with the terms and can share them with you. These Buyback Protection Terms and Conditions are also available to you at any time at www.autocheck.com/bbptterms or by writing to Experian: Experian Automotive C/O AutoCheckCustomer Service 1515 E. Woodfield Road, Suite 500, Schaumburg, IL 60173.

About AutoCheck

AutoCheck vehicle history reports by Experian Automotive is the leading vehicle history reporting service. With expert data handling, the Experian Automotive database houses over 4 billion records on a half a billion vehicles. Every AutoCheck vehicle history report will give you confidence when buying or selling your next used vehicle, with superior customer service every step of the way.

Patent Notice

Certain aspects of this vehicle history report may be covered by U.S. Patent 8,005,759.