

# Experian AutoCheck Report

Report run: 05/14/2026 15:29:41 EDT

## 2010 International DuraStar 4300

Chassis 2D (7.6L I6 DI Diesel)

VIN:	1HTMMAAMXAH161927
Class:	Medium/Heavy Truck
Country of Assembly:	United States
Estimated In Service:	03/04/2009
Last Reported Odometer:	10 (03/04/2009)

Owners - 2



Vehicle Usage  
Lease

AutoCheck Score Not Available

## AutoCheck Score

### Vehicle History at a Glance

<p>State Title Brand</p> <p><b>CLEAN</b></p>	<p>Auction Brand / Issues</p> <p><b>NO ISSUE</b></p>	<p>Accident / Damage Multiple Damage Events</p> <p><b>MINOR</b></p>
<p>Open Recall Check Recall Information not received from manufacturer</p> <p><b>NOT AVAILABLE</b></p>	<p>Insurance Loss / Transfer</p> <p><b>NO ISSUE</b></p>	<p>Odometer Check Last reported odometer: 10 (03/04/2009)</p> <p><b>NO ISSUE</b></p>
<p>Certified Pre-Owned</p> <p><b>NO CPO INFO AVAILABLE</b></p>	<p>Service / Repair</p> <p><b>NO ISSUE</b></p>	<p>Additional History</p> <p><b>NO ISSUES REPORTED</b></p>



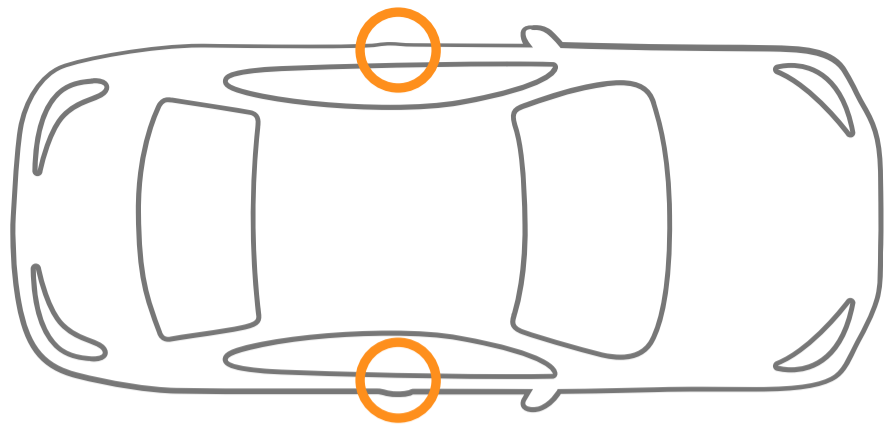
**This vehicle is not eligible for Buyback Protection**

Due to the vehicle's history showing no reported major state title brands. [Terms & Conditions](#)

[Learn More](#)



Accident & Damage



Airbag Deployed



Structural Damage



Overturned



Minor

Damage Date	Damage Type	Severity
06/28/2011	Collision	Minor
02/01/2016	Collision	Minor
09/05/2019	Collision	Minor
02/07/2020	Collision	Minor
12/15/2022	Collision	Unknown

Accident or damage event(s) have been reported for this vehicle to Experian AutoCheck. An inspection may provide added confidence in the vehicle's condition before purchase.

## Odometer Check



### Your Vehicle Checks Out

No odometer brands, rollbacks, rollover or tampering has been reported to AutoCheck from state Division of Motor Vehicles (DMV) or auction sources. AutoCheck also examined the sequence of reported odometer readings to determine if there are any potential discrepancies.



### State Title Odometer Check

No issues reported



### Auction Odometer Check

No issues reported



### Odometer Calculation Check

No issues reported

## Detailed Vehicle History

Below are the historical events for this vehicle listed in chronological order.

Vehicle: 2010 International DuraStar 4300 (1HTMMAAMXAH161927) Report Run Date: 05/14/2026 15:29:41 EDT

2009

### Owner 1

Location: PA

Owned From: 03/2009

Usage: Lease

Event Date	Location	Odometer	Data Source	Details
03/04/2009	IN	10	Motor Vehicle Dept.	Title(Title #:09504041000082) (Leased Vehicle)
06/28/2011	TAMPA, FL		Accident Source	Minor Accident or Vehicle Damage Reported
04/01/2013	IN		Motor Vehicle Dept.	Registration Event/Renewal(Leased Vehicle)
04/01/2013	IN		Motor Vehicle Dept.	Pro-Rated Registration
04/01/2014	IN		Motor Vehicle Dept.	Registration Event/Renewal(Leased Vehicle)
04/01/2014	IN		Motor Vehicle Dept.	Pro-Rated Registration

2015

### Owner 2

Location: FL

Owned From: 12/2015

Usage: Personal

Event Date	Location	Odometer	Data Source	Details
12/31/2015	FORT MYERS, FL		Motor Vehicle Dept.	Registration Event/Renewal
01/06/2016	FORT MYERS, FL		Motor Vehicle Dept.	Registration Event/Renewal Excluded/Exempt
01/11/2016	FORT MYERS, FL		Motor Vehicle Dept.	Title(Title #:0121593488) Excluded/Exempt
02/01/2016	FORT MYERS, FL		State Agency	Left Side Impact with Another Vehicle(Case #:7751190) Minor Damage Reported Accident Reported(Report #:2016-01044)
12/28/2016	FORT MYERS, FL		Motor Vehicle Dept.	Registration Event/Renewal Excluded/Exempt
12/26/2017	FORT MYERS, FL		Motor Vehicle Dept.	Registration Event/Renewal Excluded/Exempt
12/19/2018	FORT MYERS, FL		Motor Vehicle Dept.	Registration Event/Renewal Excluded/Exempt
09/05/2019	FL		Police Report	Left Side Impact with Another Vehicle(Report #:L19-423193) Minor Damage Reported
12/19/2019	FORT MYERS, FL		Motor Vehicle Dept.	Registration Event/Renewal Excluded/Exempt
02/07/2020	CAPE CORAL, FL		Police Report	Right Side Impact with Another Vehicle Accident Reported(Report #:20002577) Minor Damage Reported
12/22/2020	FORT MYERS, FL		Motor Vehicle Dept.	Registration Event/Renewal Excluded/Exempt
11/19/2021	FORT MYERS, FL		Motor Vehicle Dept.	Registration Event/Renewal Excluded/Exempt
12/15/2022	FL		Police Report	Collision with Another Vehicle(Report #:L22-528729)
12/27/2022	FORT MYERS, FL		Motor Vehicle Dept.	Registration Event/Renewal Excluded/Exempt

#### AutoCheck Terms and Conditions

This report, and any reliance upon it, is subject to [AutoCheck Terms and Conditions](#). If you obtained the report from a lender/dealer, the lender/dealer has been provided with these Terms and Conditions and can share them with you. These AutoCheck Terms and Conditions are also available at any time at [www.autocheck.com/terms](http://www.autocheck.com/terms) or by writing to Experian: Experian Automotive C/O AutoCheck Customer Service 1515 E. Woodfield Road, Suite 500, Schaumburg, IL 60173.

#### Buyback Protection Terms and Conditions

This vehicle (1HTMMAAMXAH161927) does not qualify for AutoCheck Buyback Protection.

#### About AutoCheck

AutoCheck vehicle history reports by Experian Automotive is the leading vehicle history reporting service. With expert data handling, the Experian Automotive database houses over 4 billion records on a half a billion vehicles. Every AutoCheck vehicle history report will give you confidence when buying or selling your next used vehicle, with superior customer service every step of the way.

#### Patent Notice

Certain aspects of this vehicle history report may be covered by U.S. Patent 8,005,759.