

Experian AutoCheck Report

Report run: 05/11/2026 09:21:45 EDT

2019 Freightliner Cascadia

Semi-Trailer Truck 2D (12.8L 16 CRDI Diesel)

VIN:	1FUJHTDV9KLKG8829
Class:	Medium/Heavy Truck
Country of Assembly:	United States
Estimated In Service:	10/03/2018

One Owner
AutoCheck
Vehicle Usage
 Personal



AutoCheck Score

Vehicle History at a Glance

<p>State Title Brand</p> <p>CLEAN</p>	<p>Auction Brand / Issues</p> <p>NO ISSUE</p>	<p>Accident / Damage Multiple Damage Events</p> <p>MINOR</p>
<p>Open Recall Check</p> <p>NO OPEN RECALLS</p>	<p>Insurance Loss / Transfer</p> <p>NO ISSUE</p>	<p>Odometer Check</p> <p>NO ISSUE</p>
<p>Certified Pre-Owned</p> <p>NO CPO INFO AVAILABLE</p>	<p>Service / Repair</p> <p>NO ISSUE</p>	<p>Additional History</p> <p>NO ISSUES REPORTED</p>

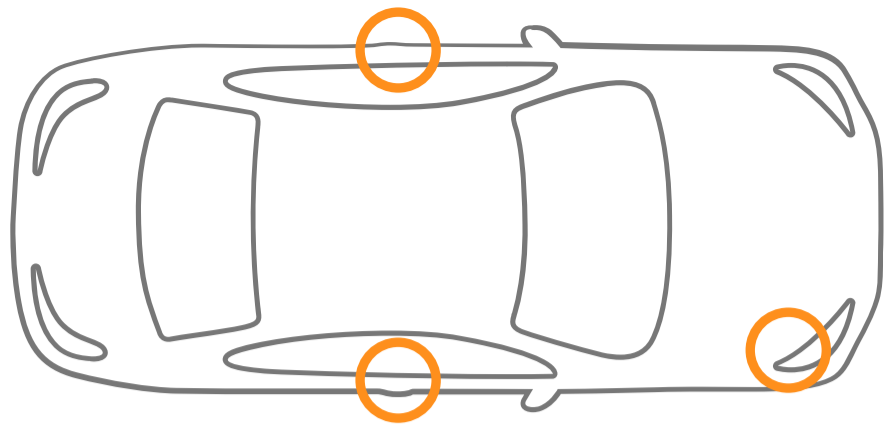


This vehicle is not eligible for Buyback Protection

Due to the vehicle's history showing no reported major state title brands. [Terms & Conditions](#)

[Learn More](#)

Accident & Damage



Airbag Deployed



Structural Damage



Overturned



Minor

Damage Date	Damage Type	Severity
-------------	-------------	----------

01/19/2019	Collision	Minor
05/05/2019	Collision	Minor
07/13/2019	Collision	Minor
05/16/2025	Collision	Unknown

Accident or damage event(s) have been reported for this vehicle to Experian AutoCheck. An inspection may provide added confidence in the vehicle's condition before purchase.

Odometer Check



Your Vehicle Checks Out

No odometer brands, rollbacks, rollover or tampering has been reported to AutoCheck from state Division of Motor Vehicles (DMV) or auction sources. AutoCheck also examined the sequence of reported odometer readings to determine if there are any potential discrepancies.



State Title Odometer Check

No issues reported



Auction Odometer Check

No issues reported



Odometer Calculation Check

No issues reported

Detailed Vehicle History

Below are the historical events for this vehicle listed in chronological order.

Vehicle: 2019 Freightliner Cascadia (1FUJHTDV9KLG8829) Report Run Date: 05/11/2026 09:21:45 EDT

2018

Owner 1

Location: FL

Owned From: 10/2018

Usage: Personal

Event Date	Location	Odometer	Data Source	Details
10/03/2018	LAKELAND, FL		Motor Vehicle Dept.	Registration Event/Renewal Excluded/Exempt
10/26/2018	FL		Motor Vehicle Dept.	Title(Title #:0132721852) Excluded/Exempt
12/06/2018	FL		Motor Vehicle Dept.	Registration Event/Renewal
12/06/2018	FL		Motor Vehicle Dept.	Excluded/Exempt
01/19/2019	DEERFIELD BEACH, FL		State Agency	Left Side Impact with Another Vehicle(Case #:10092360) Left Side Impact with Another Vehicle(Report #:L101901003297) Minor Damage Reported
05/05/2019	FL		State Agency	Right Side Impact with Another Vehicle(Case #:10346183) Right Side Impact with Another Vehicle(Report #:L1905-000234) Minor Damage Reported



Event Date	Location	Odometer	Data Source	Details
07/13/2019	FL		Police Report	Collision with Another Vehicle(Report #:LFHPL19OFF045894) Minor Damage Reported
12/06/2019	LAKELAND, FL		Motor Vehicle Dept.	Registration Event/Renewal Excluded/Exempt
11/16/2020	LAKELAND, FL		Motor Vehicle Dept.	Registration Event/Renewal Excluded/Exempt
12/07/2021	LAKELAND, FL		Motor Vehicle Dept.	Registration Event/Renewal Excluded/Exempt
11/23/2022	LAKELAND, FL		Motor Vehicle Dept.	Registration Event/Renewal Excluded/Exempt
12/11/2023	LAKELAND, FL		Motor Vehicle Dept.	Registration Event/Renewal Excluded/Exempt
12/12/2024	LAKELAND, FL		Motor Vehicle Dept.	Registration Event/Renewal Excluded/Exempt
05/16/2025	ORLANDO, FL		Police Report	Right Front Impact with Another Vehicle(Report #:LFHP25ON0229890) Vehicle Was Towed
11/06/2025	LAKELAND, FL		Motor Vehicle Dept.	Registration Event/Renewal Excluded/Exempt

AutoCheck Terms and Conditions

This report, and any reliance upon it, is subject to [AutoCheck Terms and Conditions](#). If you obtained the report from a lender/dealer, the lender/dealer has been provided with these Terms and Conditions and can share them with you. These AutoCheck Terms and Conditions are also available at any time at www.autocheck.com/terms or by writing to Experian: Experian Automotive C/O AutoCheck Customer Service 1515 E. Woodfield Road, Suite 500, Schaumburg, IL 60173.

Buyback Protection Terms and Conditions

This vehicle (1FUJHTDV9KLKG8829) does not qualify for AutoCheck Buyback Protection.

About AutoCheck

AutoCheck vehicle history reports by Experian Automotive is the leading vehicle history reporting service. With expert data handling, the Experian Automotive database houses over 4 billion records on a half a billion vehicles. Every AutoCheck vehicle history report will give you confidence when buying or selling your next used vehicle, with superior customer service every step of the way.

Patent Notice

Certain aspects of this vehicle history report may be covered by U.S. Patent 8,005,759.