

BUILDING A2 DIMENSION:30x60x12ft < 9.144X18.288X3.658M> INSTALLATION DRAWING

DESIGN LOAD:

DEAD LOAD ON SANDWICH ROOF:	0.25KN/M2
DEAD LOAD ON SHEET ROOF:	0.15KN/M2
LIVE LOAD ON FRAME:	0.3KN/M2
LIVE LOAD ON PURLIN:	0.5KN/M2
WIND SPEED ANGAINST:	23.3M/S
SNOW LOAD ON ROOF:	0.5KN/M2
GROUND ROUGHNESS:	B
CONSTRUCTION LOAD:	1.0KN/M2
EARTHQUAKE ANGAINST GRADE:	7
STRUCTURAL SAFETY COEFFICIENT:	1

BUILDING CONFLGURATION:

FRAME:	PORTAL FRAME
ROOF PITCH:	SEE DRAWING
BAY:	SEE DRAWING
COLUMN:	H BEAM
RAFTER:	H BEAM
TIE BEAM:	ROUND PIPE
PURLIN:	C PURLIN
ROOF:	SEE DRAWING
WALL :	SEE DRAWING

BUILDING CONFLGURATION:

DOOR:	SEE DRAWING
WINDOW:	SEE DRAWING
TRANSLUCENT PANELS:	SEE DRAWING
GUTTER:	SEE DRAWING
WIND FAN:	SEE DRAWING

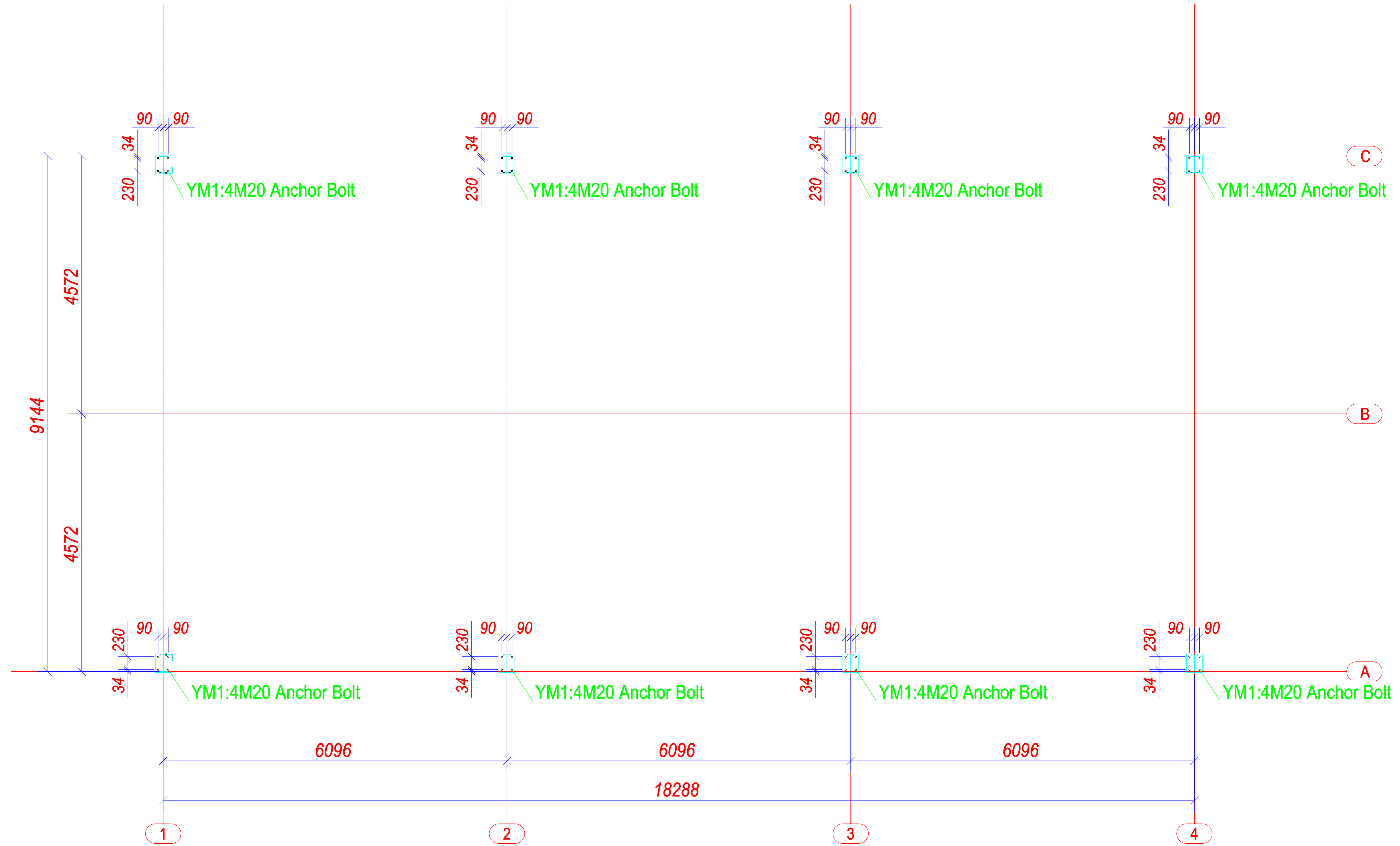
SURFACE TREATMENT:

FRAME SURFACE:	HOT DIP GALVANIZE
PURLIN SURFACE:	ZINC COATING

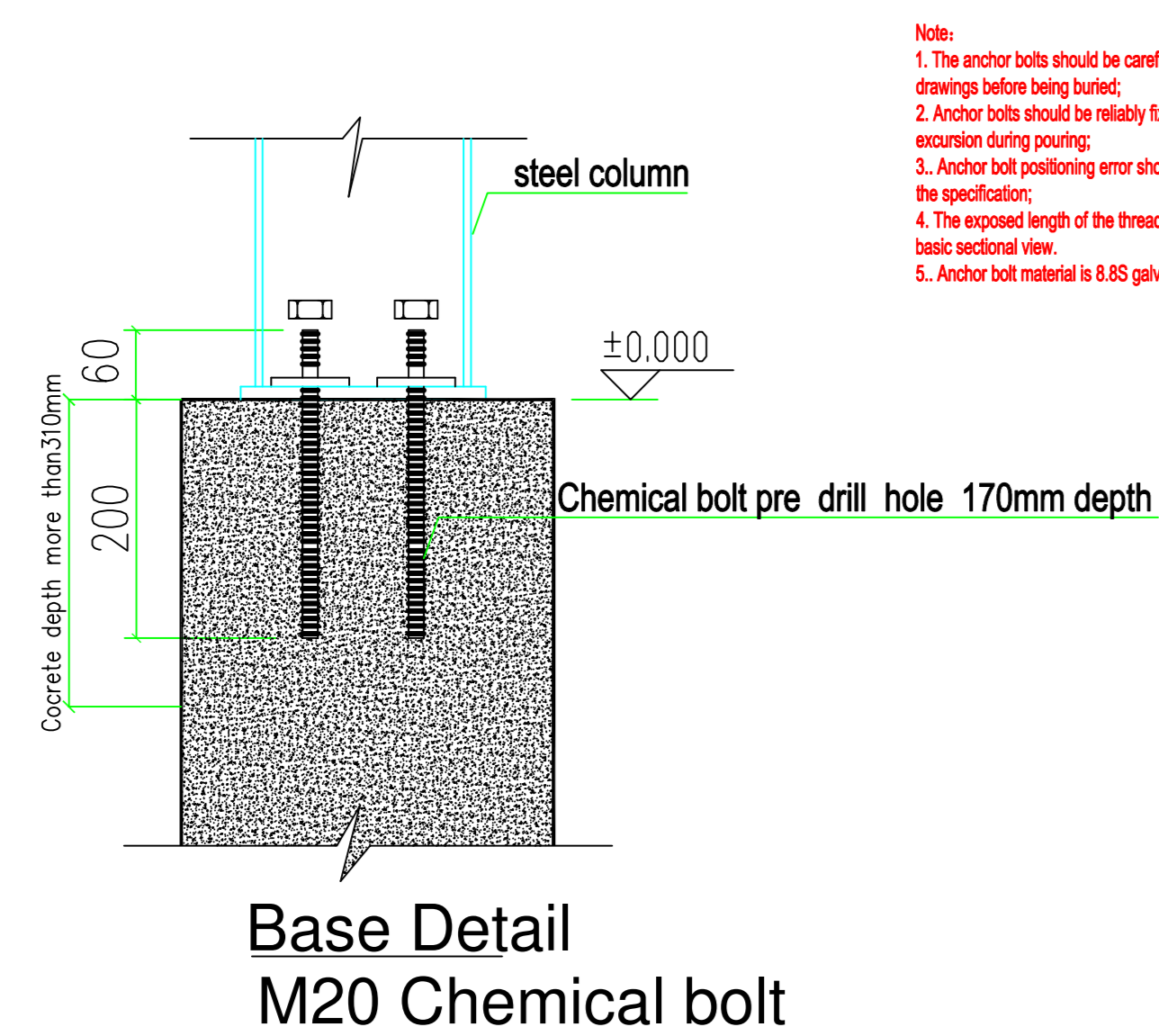
THIS BUILDING MEMEBER SIZE DESIGN BY UK

2024. 11. 25

ISSUED TO :

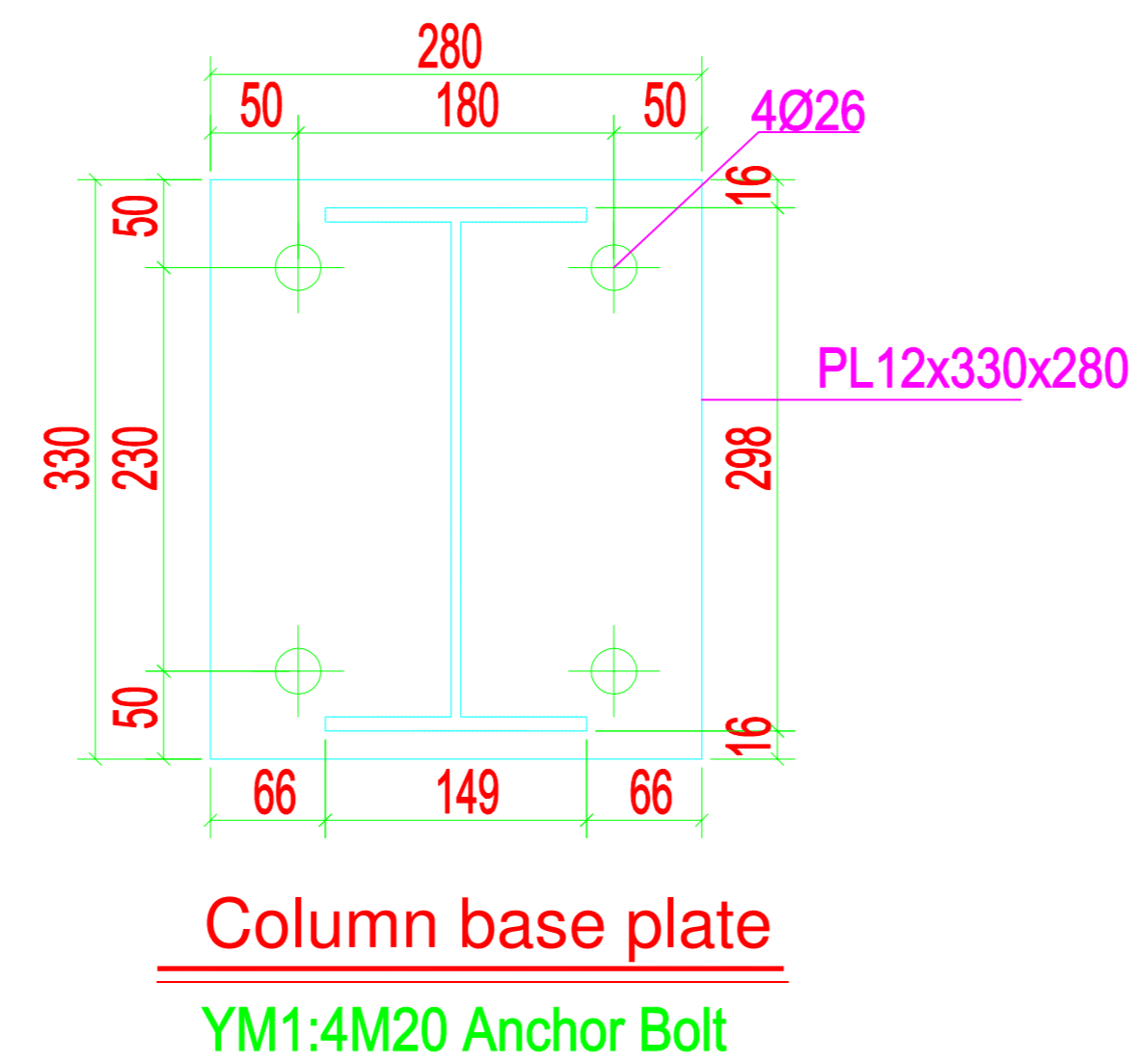


Building A2 Anchor bolt layout plan



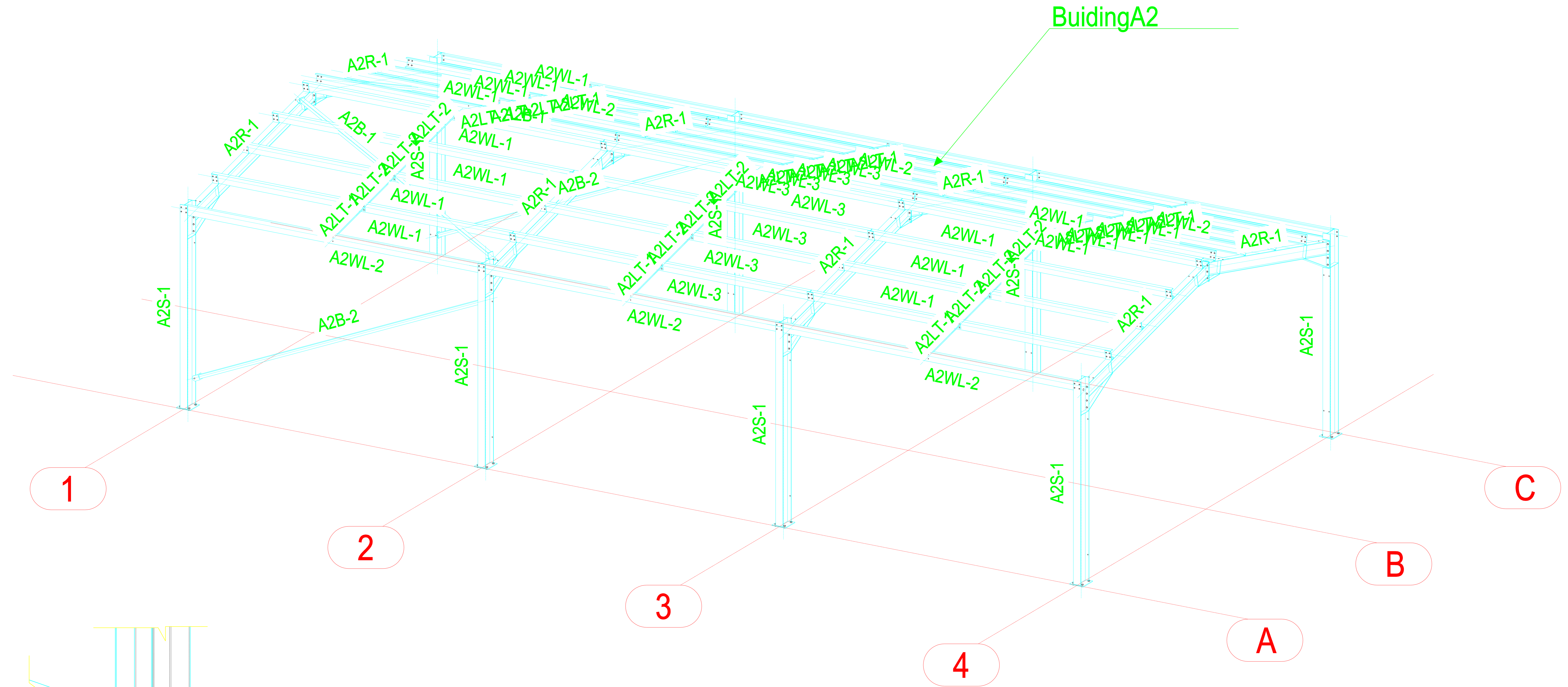
- Note:
1. The anchor bolts should be carefully checked with the foundation drawings before being bored.
 2. Anchor bolts should be reliably fixed after positioning to avoid excavation during pouring.
 3. Anchor bolt positioning error should meet the requirements of the specification.
 4. The exposed length of the threaded fastener is as shown in the basic sectional view.
 5. Anchor bolt material is S.85 galvanized.

- Chemical Anchor bolt install:
1. The foundation concrete base size: Width x column base plate width x 50mm Length x column base plate length x 50mm Depth x Anchor bolt total length x 50mm (For example: M20x200MM bolt, the base depth at least 310mm)
 2. The concrete dry at least 48 hours later or according to the National and concrete condition.
 3. Drill hole.
 4. Hole Diameter: Bolt Outer Diameter Hole Depth: Bolt length x 0.9mm Hole location as the layout drawing.
 5. Clean hole.
 6. Ensure that there is no floating dust in the hole.
 7. Install the chemical glue pipe.
 8. Screw the chemical bolt into the glue pipe.
 9. Screw lock depth 20mm more than the hole, meanwhile break the glue pipe and glue flow in the hole.
 10. Exposed some length thread out of the Cement floor for faster column (Exposure length refer basic detail).
 11. Install column more than 24 hours later.

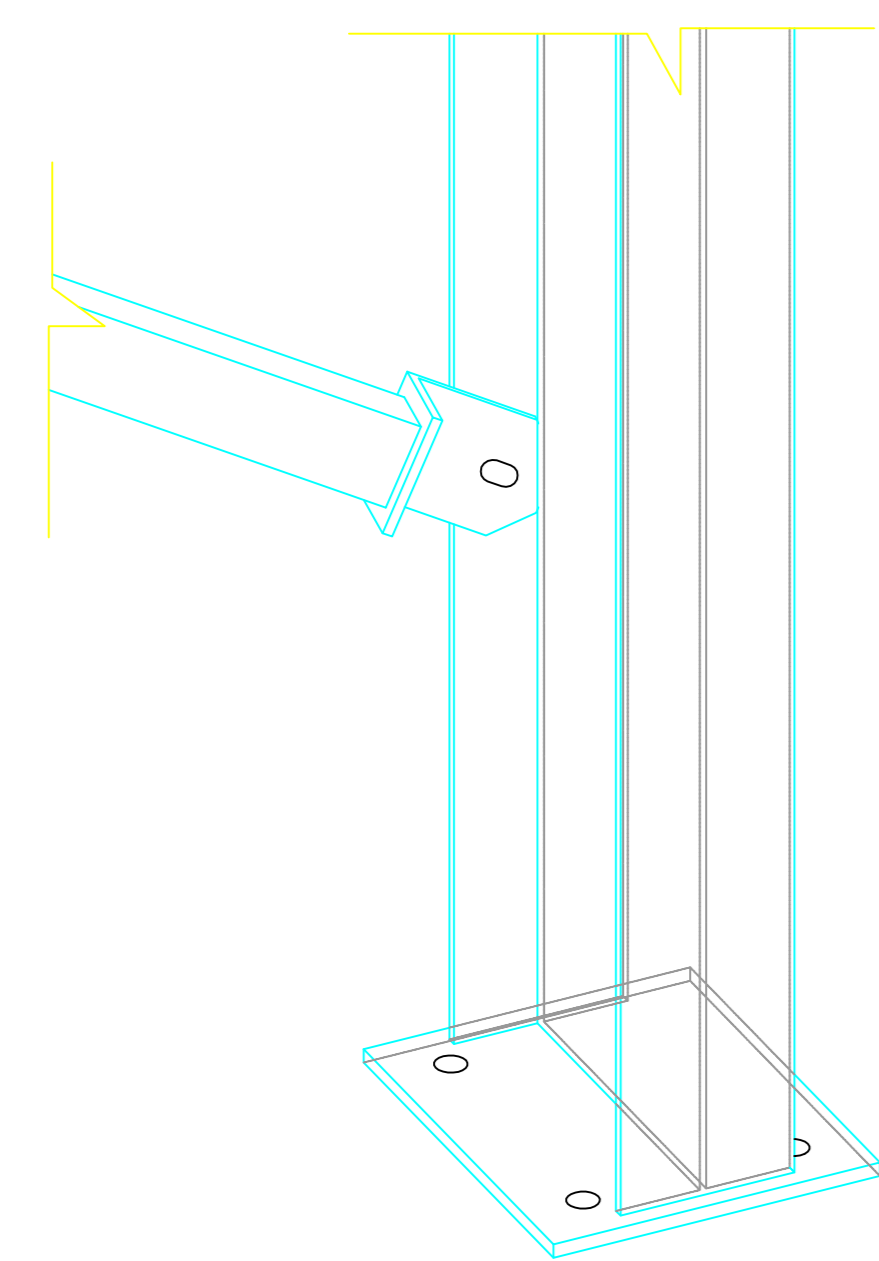


PROJECT	UK FARM BUILDING	DATE	2024.11.25
SIZE	30x60x12ft	SACLE	1:150
USE	Agriculture building	DWG NO.	1
PROJECT NO.	STL-UKS	DRAWING NAME	Building A2
		NOTES	IF IN DOUBTS, PLEASE ASK. ALL DIMENSIONS ARE IN MM, UNLESS OTHERWISE SPECIFIED.
		CHECK	DESIGN
		ORDER NO.	

ISSUED TO :



Building A2



Wind brace joint detail

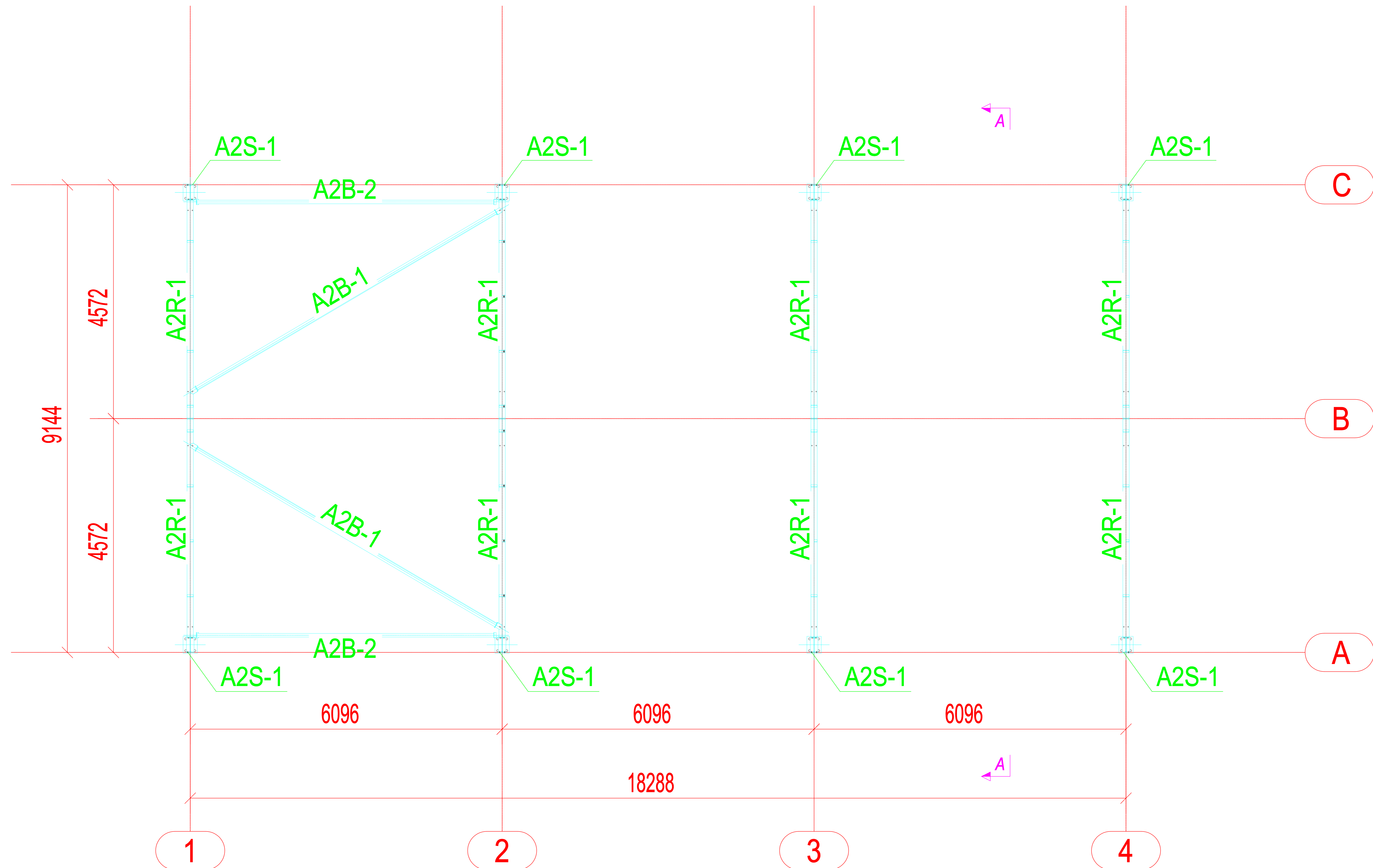
3D

PROJECT	UK FARM BUILDING	DATE	2024.11.25
SIZE	30x60x12ft	SACLE	1:150
USE	Agriculture building	DWG NO.	2
PROJECT NO.	STL-UKS	DESIGN	
		CHECK	
		ORDER NO.	

DRAWING NAME **Building A2**

IF IN DOUBTS, PLEASE ASK. ALL DIMENSIONS ARE IN MM, UNLESS OTHERWISE SPECIFIED.

ISSUED TO :



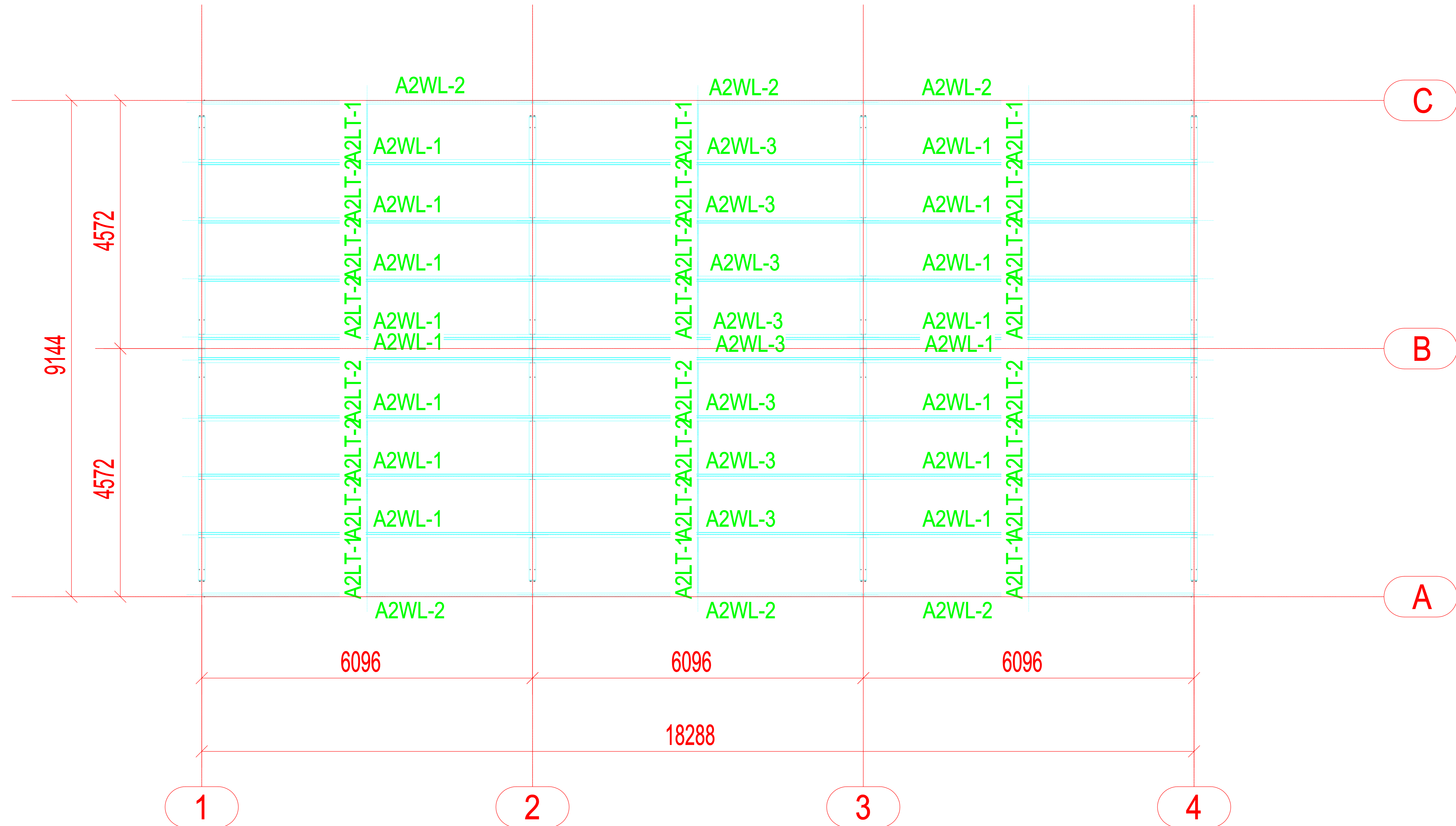
PLAN +3.658

PROJECT	UK FARM BUILDING	DATE	2024.11.25
SIZE	30x60x12ft	SACLE	1:150
USE	Agriculture building	DWG NO.	3
PROJECT NO.	STL-UKS	DESIGN	
		CHECK	
		ORDER NO.	

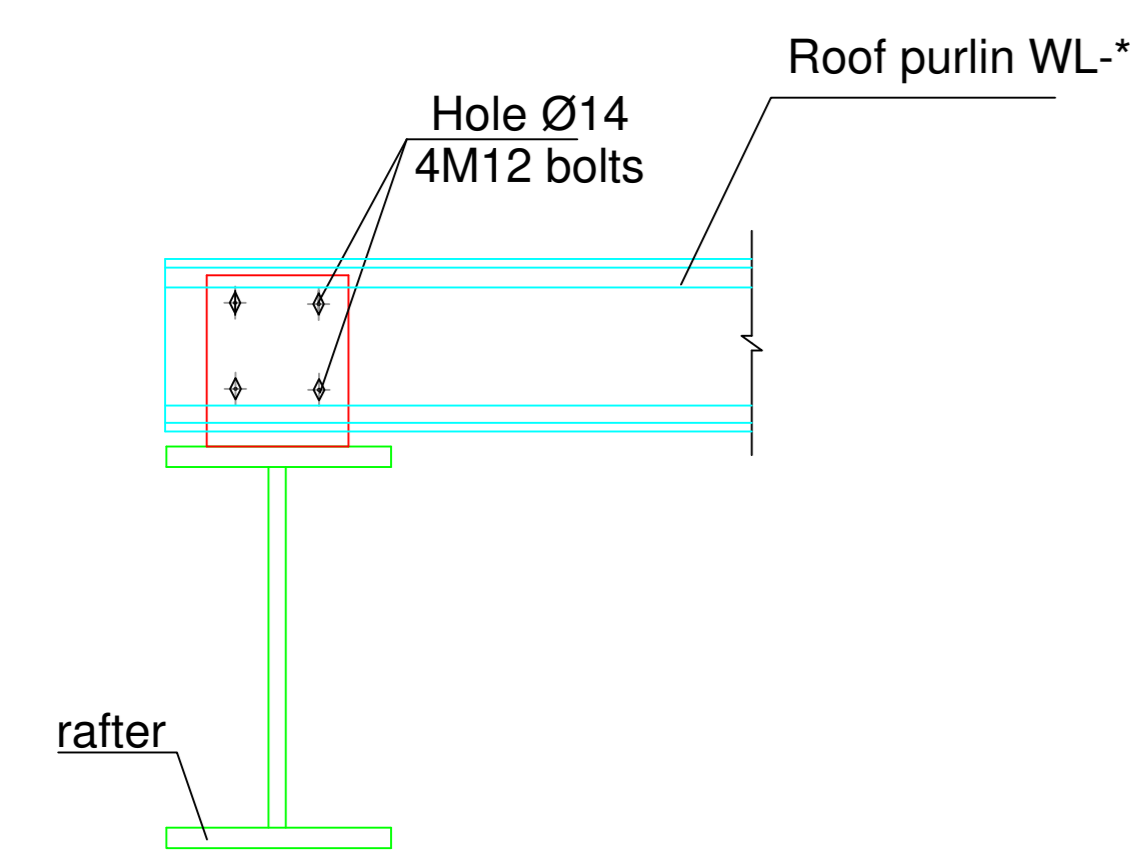
Building A2

IF IN DOUBTS, PLEASE ASK.
ALL DIMENSIONS ARE IN MM, UNLESS OTHERWISE SPECIFIED.

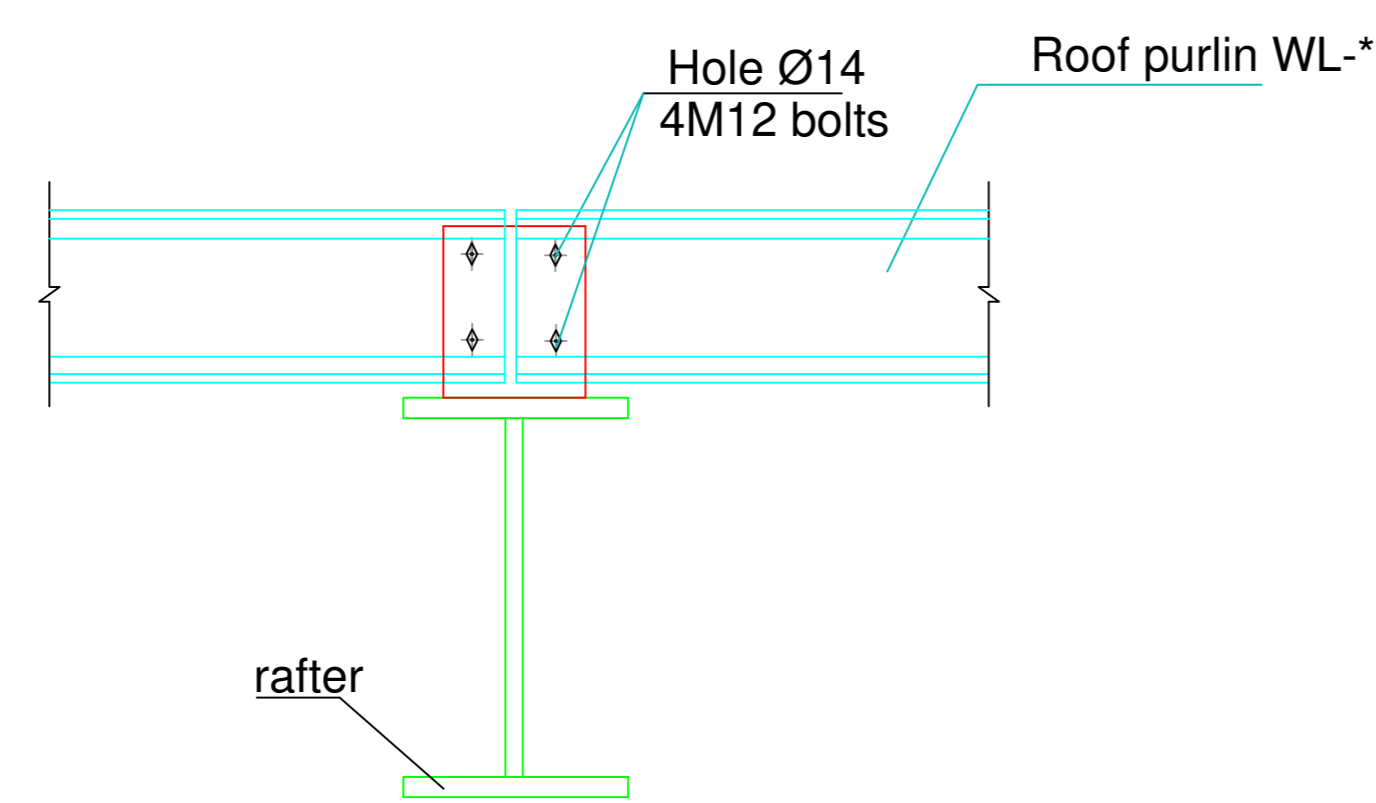
ISSUED TO :



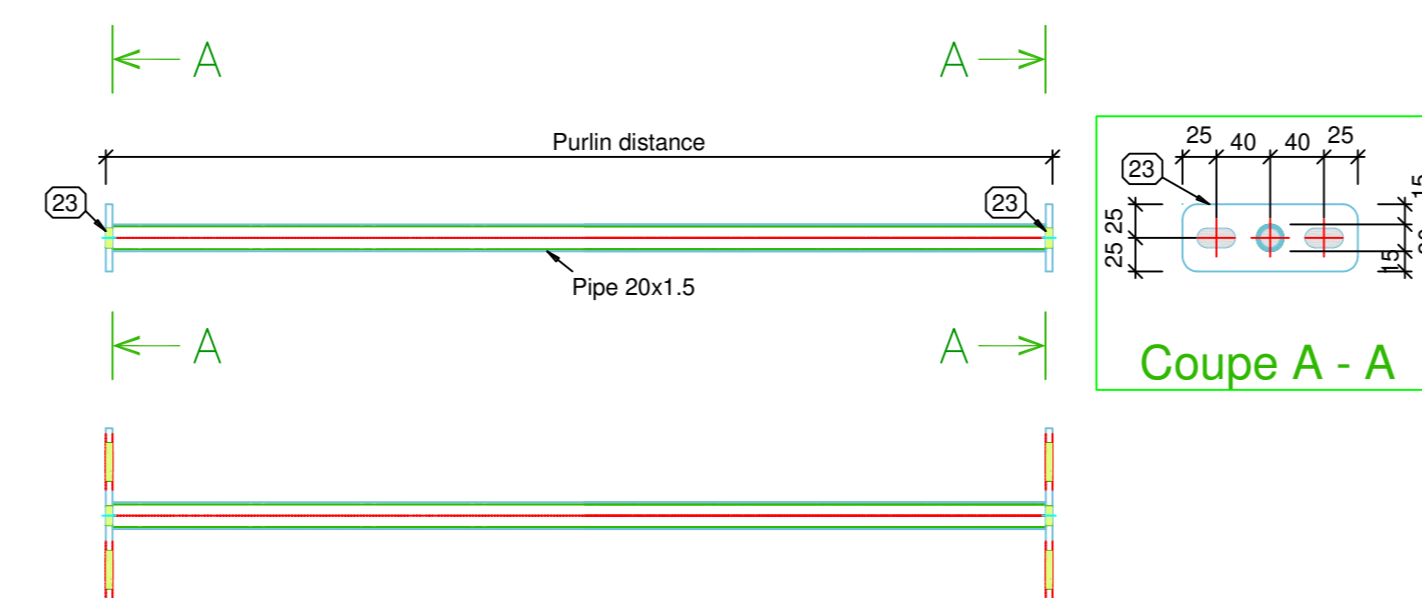
Roof purlin layout plan



Roof purlin gable wall top joint detail



Roof purlin overlap detail

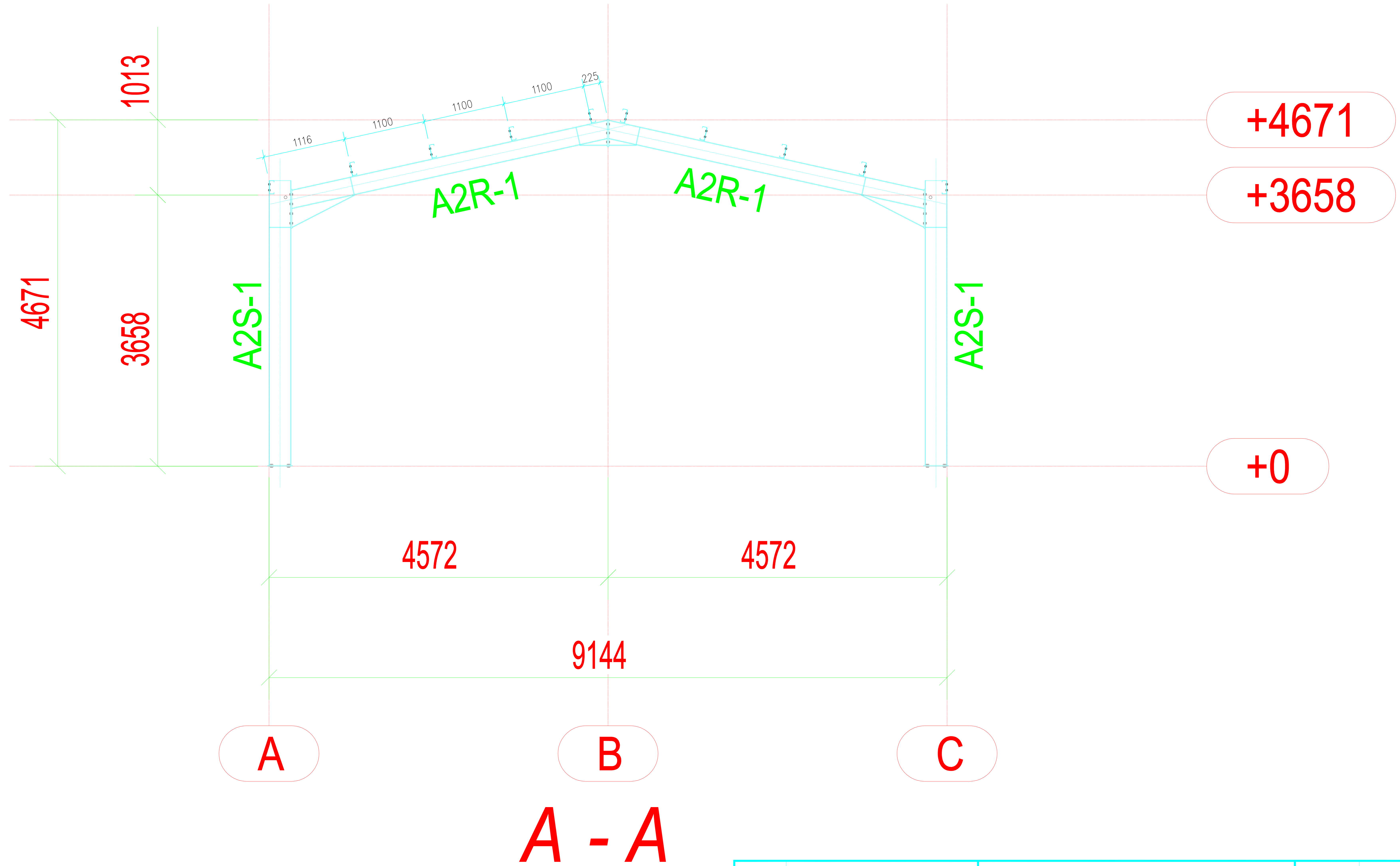


sag rod

PROJECT	UK FARM BUILDING	DATE	2024.11.25
SIZE	30x60x12ft	SACLE	1:150
USE	Agriculture building	DWG NO.	4
PROJECT NO.	STL-UKS	DESIGN	Building A2
		CHECK	
		ORDER NO.	

IF IN DOUBTS, PLEASE ASK.
ALL DIMENSIONS ARE IN MM, UNLESS OTHERWISE SPECIFIED.

ISSUED TO :



PROJECT	UK FARM BUILDING	DATE	2024.11.25
SIZE	30x60x12ft	SACLE	1:150
USE	Agriculture building	DWG NO.	5
PROJECT NO.	STL-UKS	DESIGN	
		CHECK	
		ORDER NO.	

Building A2

IF IN DOUBTS, PLEASE ASK.
ALL DIMENSIONS ARE IN MM, UNLESS OTHERWISE SPECIFIED.