

Experian AutoCheck Report

Report run: 05/04/2026 12:39:19 EDT

2018 Freightliner Cascadia

Semi-Trailer Truck 2D (14.8L I6 CRDI Diesel)

VIN:	3AKJHHDRXJSJR1038
Class:	Medium/Heavy Truck
Country of Assembly:	Mexico
Estimated In Service:	05/17/2017
Last Reported Odometer:	10 (05/17/2017)

Owners - 2



Vehicle Usage
Lease

AutoCheck Score Not Available

AutoCheck Score

Vehicle History at a Glance

<p>State Title Brand</p> <p>CLEAN</p>	<p>Auction Brand / Issues</p> <p>NO ISSUE</p>	<p>Accident / Damage</p> <p>MODERATE</p>
<p>Open Recall Check</p> <p>NO OPEN RECALLS</p>	<p>Insurance Loss / Transfer</p> <p>NO ISSUE</p>	<p>Odometer Check</p> <p>Last reported odometer: 10 (05/17/2017)</p> <p>NO ISSUE</p>
<p>Certified Pre-Owned</p> <p>NO CPO INFO AVAILABLE</p>	<p>Service / Repair</p> <p>NO ISSUE</p>	<p>Additional History</p> <p>NO ISSUES REPORTED</p>



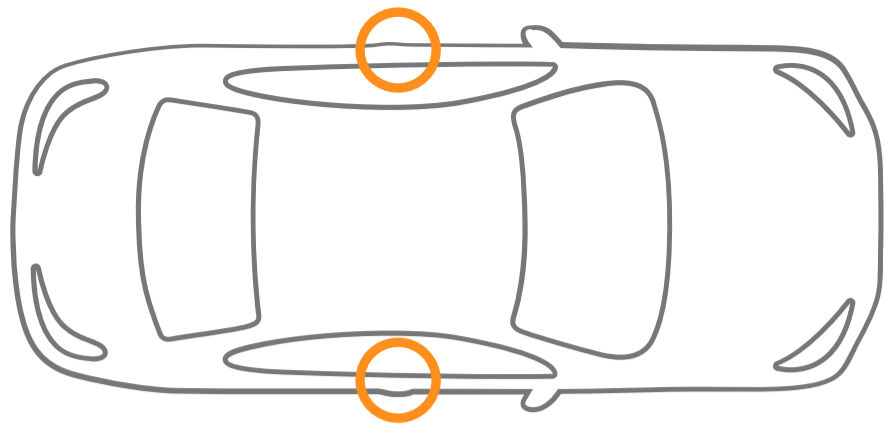
This vehicle is not eligible for Buyback Protection

Due to the vehicle's history showing no reported major state title brands. [Terms & Conditions](#)

[Learn More](#)



Accident & Damage



Airbag Deployed



Structural Damage



Overturned



Moderate

Damage Date

Damage Type

Severity

12/30/2017

Collision

Minor

07/20/2019

Collision

Moderate

Accident or damage event(s) have been reported for this vehicle to Experian AutoCheck. An inspection may provide added confidence in the vehicle's condition before purchase.



Odometer Check



Your Vehicle Checks Out

No odometer brands, rollbacks, rollover or tampering has been reported to AutoCheck from state Division of Motor Vehicles (DMV) or auction sources. AutoCheck also examined the sequence of reported odometer readings to determine if there are any potential discrepancies.



State Title Odometer Check

No issues reported



Auction Odometer Check

No issues reported



Odometer Calculation Check

No issues reported



Detailed Vehicle History

Below are the historical events for this vehicle listed in chronological order.

Vehicle: 2018 Freightliner Cascadia (3AKJHHDRXJSJR1038) Report Run Date: 05/04/2026 12:39:19 EDT

2017

Owner 1

Location: PA

Owned From: 06/2017

Usage: Personal

Event Date	Location	Odometer	Data Source	Details
05/17/2017	IN	10	Motor Vehicle Dept.	Title(Title #:17504095000037) (Leased Vehicle)
06/01/2017	IN		Motor Vehicle Dept.	Registration Event/Renewal Pro-Rated Registration
12/30/2017	BUCKS COUNTY, PA		State Agency	Right Side Impact with Another Vehicle(Case #:2018000855) Right Side Impact Collision Accident Reported(Report #:PA 2017-1399578) Minor Damage Reported
06/01/2018	IN		Motor Vehicle Dept.	Registration Event/Renewal Pro-Rated Registration
06/01/2019	IN		Motor Vehicle Dept.	Registration Event/Renewal Pro-Rated Registration
07/20/2019	ZANESVILLE, OH		State Agency	Left Side Impact with Another Vehicle(Case #:20195138103) Moderate Damage Reported
06/01/2020	IN		Motor Vehicle Dept.	Registration Event/Renewal Pro-Rated Registration

2021

Owner 2

Location: PA

Owned From: 06/2021

Usage: Personal

Event Date	Location	Odometer	Data Source	Details
06/01/2021	IN		Motor Vehicle Dept.	Registration Event/Renewal Pro-Rated Registration
06/01/2022	IN		Motor Vehicle Dept.	Registration Event/Renewal Pro-Rated Registration
10/04/2022	SCHILLER PARK, IL		Motor Vehicle Dept.	Registration Event/Renewal Pro-Rated Registration
10/06/2022	PARK RIDGE, IL		Motor Vehicle Dept.	Title(Title #:222796975300) Excluded/Exempt
10/19/2022	IN		Motor Vehicle Dept.	Registration Event/Renewal Pro-Rated Registration
03/20/2023	SCHILLER PARK, IL		Motor Vehicle Dept.	Registration Event/Renewal Pro-Rated Registration
03/08/2024	SCHILLER PARK, IL		Motor Vehicle Dept.	Registration Event/Renewal Pro-Rated Registration

AutoCheck Terms and Conditions

This report, and any reliance upon it, is subject to [AutoCheck Terms and Conditions](#). If you obtained the report from a lender/dealer, the lender/dealer has been provided with these Terms and Conditions and can share them with you. These AutoCheck Terms and Conditions are also available at any time at www.autocheck.com/terms or by writing to Experian: Experian Automotive C/O AutoCheck Customer Service 1515 E. Woodfield Road, Suite 500, Schaumburg, IL 60173.

Buyback Protection Terms and Conditions

This vehicle (3AKJHHDRXJSJR1038) does not qualify for AutoCheck Buyback Protection.

About AutoCheck

AutoCheck vehicle history reports by Experian Automotive is the leading vehicle history reporting service. With expert data handling, the Experian Automotive database houses over 4 billion records on a half a billion vehicles. Every AutoCheck vehicle history report will give you confidence when buying or selling your next used vehicle, with superior customer service every step of the way.

Patent Notice

Certain aspects of this vehicle history report may be covered by U.S. Patent 8,005,759.