

Experian AutoCheck Report

Report run: 04/24/2026 15:37:37 EDT

2015 Ford F-250 Super Duty Lariat / XL / XLT

Extended Cab 4D (6.2L V8 SEFI Flex Fuel)

VIN:	1FT7X2A63FEA21204
Class:	Pickup - Fullsize
Country of Assembly:	United States
Vehicle Age:	11 year(s)
Estimated In Service:	04/23/2014
Last Reported Odometer:	93,000 (09/05/2025)

Owners - 3



Vehicle Usage
Lease



AutoCheck Score

Similar vehicles usually range between 83 and 91

Vehicle History at a Glance

<p>State Title Brand</p> <p>CLEAN</p>	<p>Auction Brand / Issues</p> <p>NO ISSUE</p>	<p>Accident / Damage</p> <p>Multiple Damage Events</p> <p>MINOR</p>
<p>Open Recall Check</p> <p>NO OPEN RECALLS</p>	<p>Insurance Loss / Transfer</p> <p>NO ISSUE</p>	<p>Odometer Check</p> <p>Last reported odometer: 93,000 (09/05/2025)</p> <p>NO ISSUE</p>
<p>Certified Pre-Owned</p> <p>NO CPO INFO AVAILABLE</p>	<p>Service / Repair</p> <p>NO ISSUE</p>	<p>Additional History</p> <p>NO ISSUES REPORTED</p>



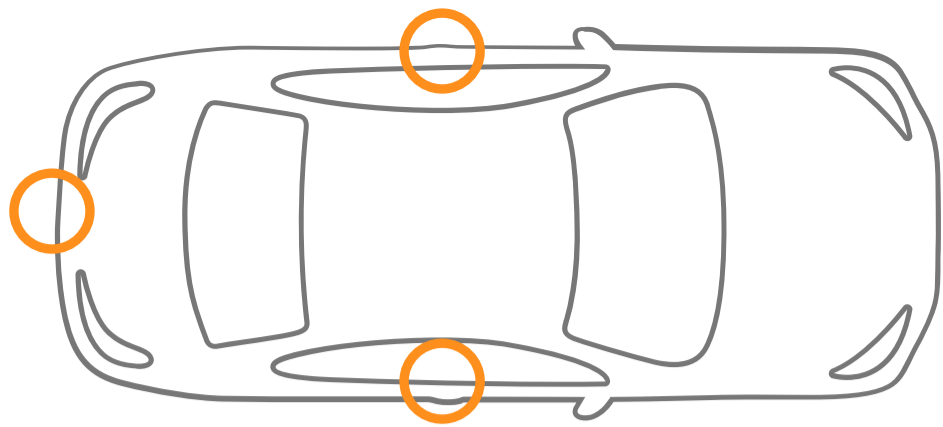
This vehicle is eligible for Buyback Protection

Due to the vehicle's history showing no reported major state title brands. [Terms & Conditions](#)

[Learn More](#)



Accident & Damage



Damage Date	Damage Type	Severity
10/28/2016	Collision	Minor
06/24/2022	Collision	Unknown
09/05/2023	Collision	Unknown

Accident or damage event(s) have been reported for this vehicle to Experian AutoCheck. An inspection may provide added confidence in the vehicle's condition before purchase.

-  Airbag Deployed
-  Structural Damage
-  Overturned
-  Minor

Recommended Maintenance

OEM Recommended Maintenance Schedule

Based on your vehicle's last reported mileage, these are the most recent and upcoming recommended maintenance intervals from your vehicle's manufacturer.

OEM Recommended Services



90000 Mile Service

- Adjust Tire Pressure
- Balance Tires
- Brake Fluid Exchange



97500 Mile Service Not Yet Due

- Adjust Tire Pressure
- Ford Factory Multi-Point Inspection
- Inspect & Adjust All Fluids



105000 Mile Service Not Yet Due

- Adjust Tire Pressure
- Balance Tires
- Ford Factory Multi-Point Inspection

Odometer Check



Your Vehicle Checks Out

No odometer brands, rollbacks, rollover or tampering has been reported to AutoCheck from state Division of Motor Vehicles (DMV) or auction sources. AutoCheck also examined the sequence of reported odometer readings to determine if there are any potential discrepancies.



State Title Odometer Check

No issues reported



Auction Odometer Check

No issues reported



Odometer Calculation Check

No issues reported

Detailed Vehicle History

Below are the historical events for this vehicle listed in chronological order.

Vehicle: 2015 Ford F-250 Super Duty Lariat / XL / XLT (1FT7X2A63FEA21204) Report Run Date: 04/24/2026 15:37:37 EDT

2014

Vehicle Prep and Other Pre-Titling Events

Preparation Date: 04/2014

Event Date	Location	Odometer	Data Source	Details
04/23/2014			Independent Source	Vehicle Manufactured and Shipped to Dealer

2014

Owner 1

Location: IL		Owned From: 09/2014		Usage: Lease	
Event Date	Location	Odometer	Data Source	Details	
09/05/2014	CHICAGO, IL		Motor Vehicle Dept.	Registration Event/Renewal(Leased Vehicle)	
09/23/2014	CHICAGO, IL	15	Motor Vehicle Dept.	Title(Title #:142666830440) (Leased Vehicle)	
06/03/2015	CHICAGO, IL		Motor Vehicle Dept.	Registration Event/Renewal(Leased Vehicle)	
05/31/2016	CHICAGO, IL		Motor Vehicle Dept.	Registration Event/Renewal(Leased Vehicle)	
10/28/2016	CHICAGO, IL		State Agency	Right Side Impact with Another Vehicle(Case #:HZ492203)	
11/15/2016	BEECHER, IL		Damage Report	Accident or Damage Reported Minor Damage Reported Left Side Damage or Repair Reported Right Side Damage or Repair Reported	
05/19/2017	CHICAGO, IL		Motor Vehicle Dept.	Registration Event/Renewal(Leased Vehicle)	
05/25/2018	CHICAGO, IL		Motor Vehicle Dept.	Registration Event/Renewal(Leased Vehicle)	
06/17/2019	ADDISON, IL	20,000	Independent Emission Source	Passed Emission Inspection	
06/21/2019	CHICAGO, IL		Motor Vehicle Dept.	Registration Event/Renewal(Leased Vehicle)	
03/27/2020	CHICAGO, IL		Motor Vehicle Dept.	Registration Event/Renewal(Leased Vehicle)	
07/01/2021	ADDISON, IL	30,000	Independent Emission Source	Passed Emission Inspection	
07/15/2021	CHICAGO, IL		Motor Vehicle Dept.	Registration Event/Renewal(Leased Vehicle)	

2022

Owner 2

Location: IL		Owned From: 06/2022		Usage: Personal	
Event Date	Location	Odometer	Data Source	Details	
06/17/2022	CHICAGO, IL		Motor Vehicle Dept.	Registration Event/Renewal	
06/24/2022	BENSENVILLE, IL		Damage Report	Accident or Damage Reported Vehicle Damage Reported Rear Damage or Repair Reported Damage or Repair to Side Panel Reported	
09/05/2023	IL		Police Report	Accident Reported(Report #:2308048)	
09/03/2024	SKOKIE, IL	85,000	Independent Emission Source	Passed Emission Inspection	

2024

Owner 3

Location: IL		Owned From: 09/2024		Usage: Personal	
Event Date	Location	Odometer	Data Source	Details	
09/17/2024	CHICAGO, IL		Motor Vehicle Dept.	Registration Event/Renewal	
09/05/2025	SKOKIE, IL	93,000	Independent Emission Source	Passed Emission Inspection	
09/22/2025	CHICAGO, IL		Motor Vehicle Dept.	Registration Event/Renewal	

AutoCheck Terms and Conditions

This report, and any reliance upon it, is subject to [AutoCheck Terms and Conditions](#). If you obtained the report from a lender/dealer, the lender/dealer has been provided with these Terms and Conditions and can share them with you. These AutoCheck Terms and Conditions are also available at any time at www.autocheck.com/terms or by writing to Experian: Experian Automotive C/O AutoCheck Customer Service 1515 E. Woodfield Road, Suite 500, Schaumburg, IL 60173.

Buyback Protection Terms and Conditions

This vehicle (1FT7X2A63FEA21204) qualifies for **AutoCheck Buyback Protection**. If you obtained the report from a dealer, the dealer has been provided with the terms and can share them with you. These Buyback Protection Terms and Conditions are also available to you at any time at www.autocheck.com/bbpterms or by writing to Experian: Experian Automotive C/O AutoCheckCustomer Service 1515 E. Woodfield Road, Suite 500, Schaumburg, IL 60173.

About AutoCheck

AutoCheck vehicle history reports by Experian Automotive is the leading vehicle history reporting service. With expert data handling, the Experian Automotive database houses over 4 billion records on a half a billion vehicles. Every AutoCheck vehicle history report will give you confidence when buying or selling your next used vehicle, with superior customer service every step of the way.

Patent Notice

Certain aspects of this vehicle history report may be covered by U.S. Patent 8,005,759.