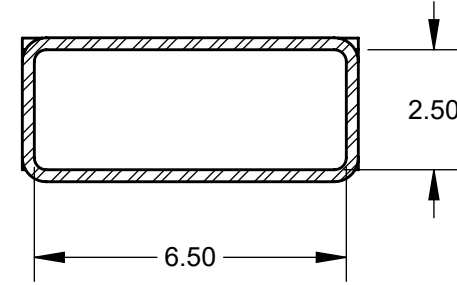
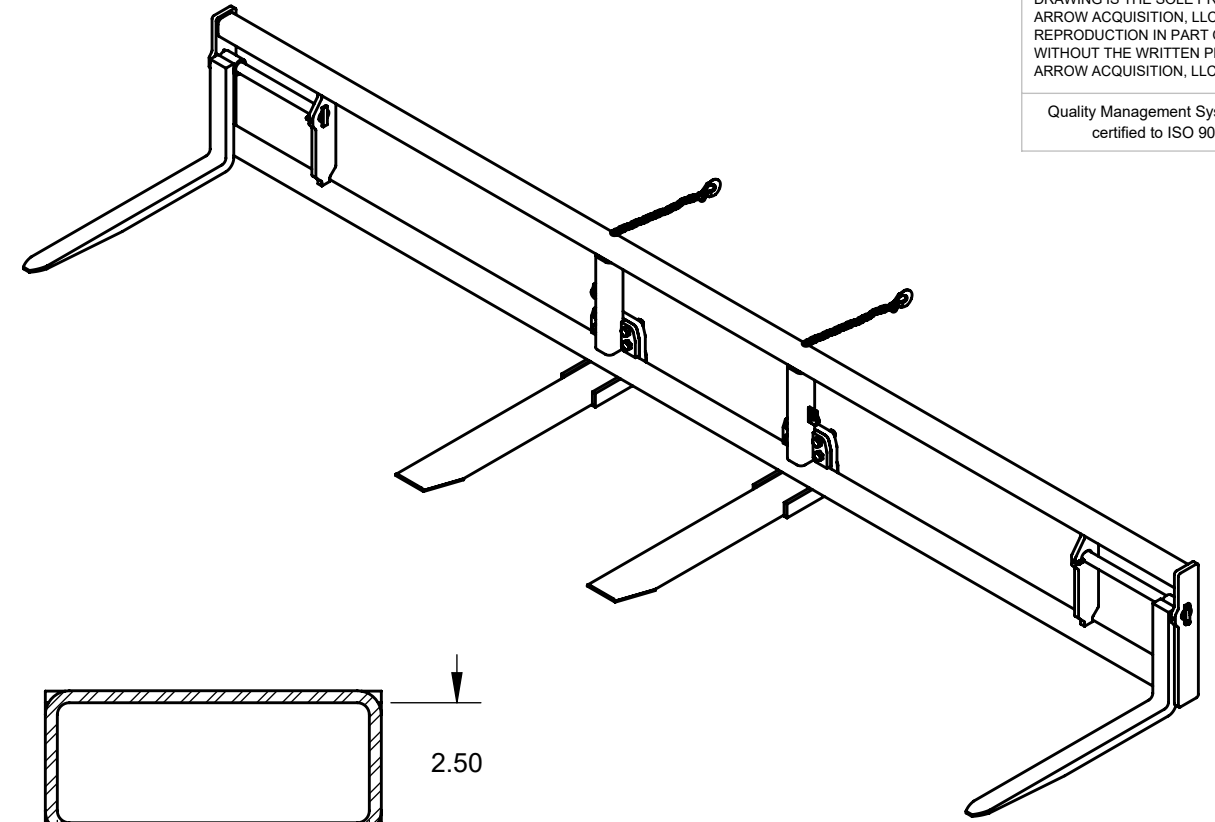
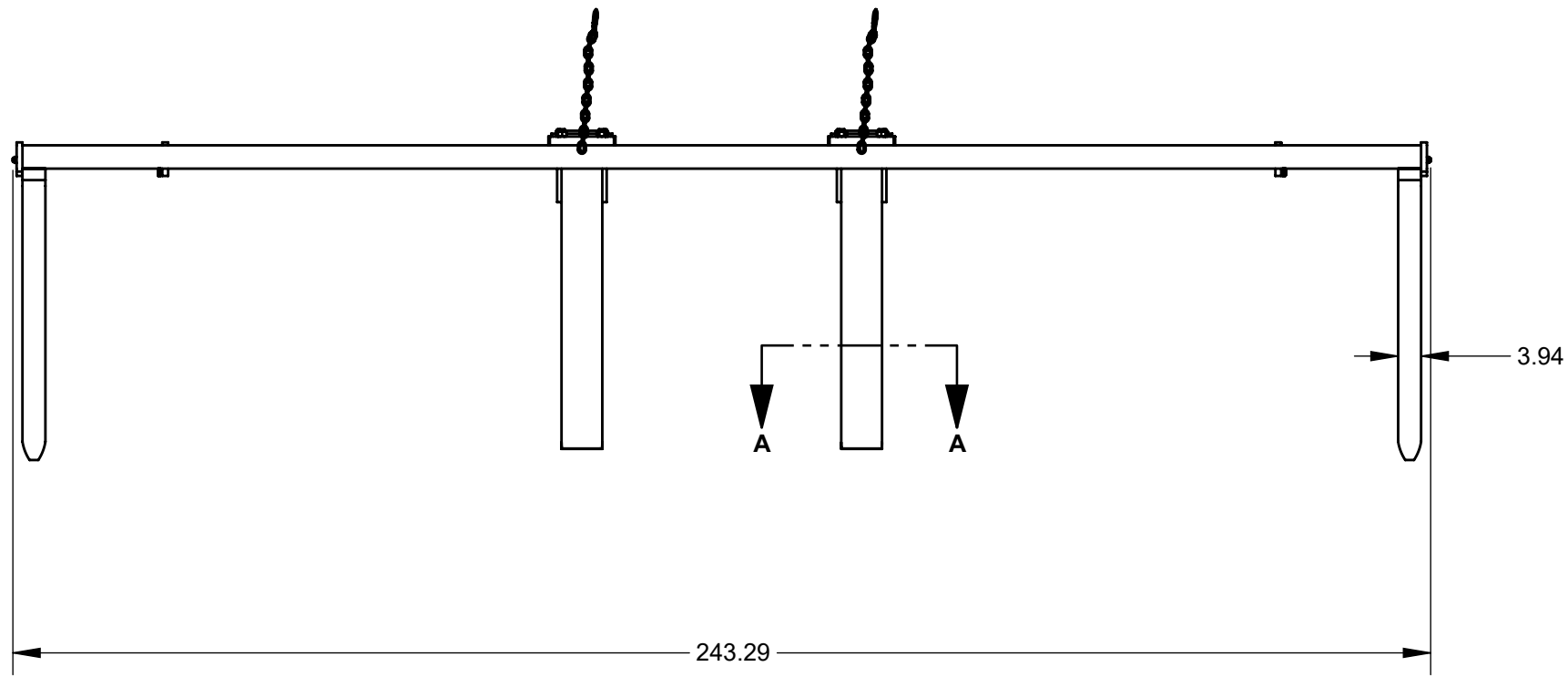


Customer signature/date

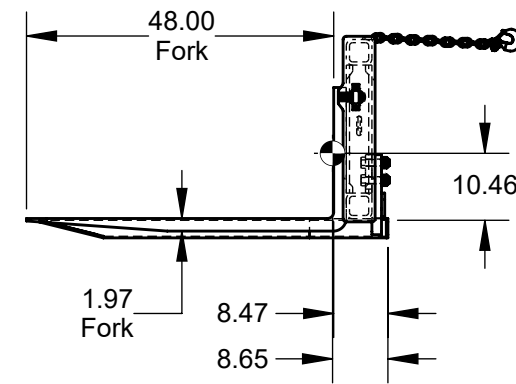
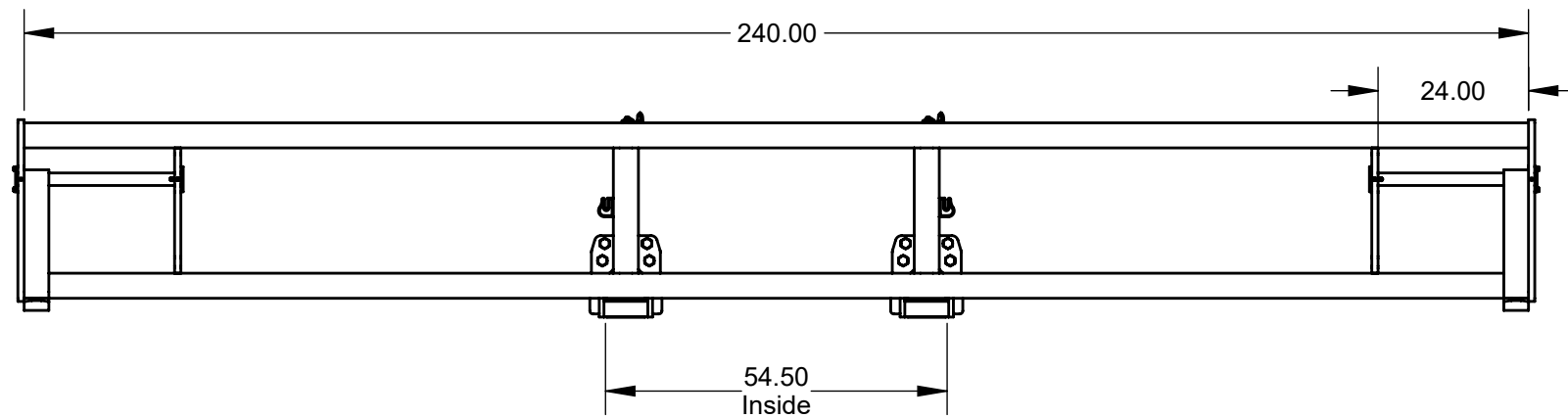
The customer acknowledges that the product and dimensions depicted here conform to their requirements.

PROPRIETARY AND CONFIDENTIAL
 THE INFORMATION CONTAINED IN THIS DRAWING IS THE SOLE PROPERTY OF ARROW ACQUISITION, LLC. ANY REPRODUCTION IN PART OR AS A WHOLE WITHOUT THE WRITTEN PERMISSION OF ARROW ACQUISITION, LLC IS PROHIBITED.

Quality Management System has been certified to ISO 9001:2015



SECTION A-A
SCALE 1 : 4



Nameplate Data	
Model Number	1005552
Maximum Weight	1696.17lb
Center of Gravity	8.65in
Capacity	8300lb @ 24"
Effective Thickness	8.47in
Maximum Hyd Pressure	N/A

TITLE:
Spreader, Fork, Model 2000

Rev	By	Date	Description

NAME	DATE
DRAWN RTG	25 Jan 24

SIZE	DWG. NO.	REV
B	1005552 Outline	0

DO NOT SCALE DRAWING SCALE: 1:30 WEIGHT: 1696.17lb SHEET 1 OF 1