

ROLLING STEEL

fire doors and insulated fire doors



Model CERD20 Steel Fire Door

FEATURES

- Manufactured to the stringent qualities of full-duty service doors, yet easily meet the most current fire protection standards.
- Operational choices include fail-safe motor-operated systems, hand crank (manual), and standard chain hoist operated systems.
- UL, FM and ULC Labeled for fire protection up to four hours to meet today's fire protection demands.
- Clopay fire doors may be easily and repeatedly drop tested and reset from the floor with no tool or equipment requirements.
- The service durability, simplicity of ownership and proven fire protection make Clopay fire doors a logical choice for informed design professionals.

clopay.com

CONSTRUCTION
LIMITED
2YR
WARRANTY

ROLLING STEEL

fire doors and insulated fire doors

Clopay fire doors feature UL and ULC labels for standard and oversized openings and may also be "S Labeled" for air and smoke infiltration. These fire protection systems are demonstrated and tested for full compliance with UL and NFPA-80 standards both in the plant and at testing facilities for reliable activation, drop speed, repeatability and endurance.

- Labeled fire protection for up to 4 hours
- Floor level drop test and reset
- Full-duty service engineering
- Weldable guides with upward expansion
- Guide service cutouts for ease and safety of service
- Structural steel construction
- Finish coated steel curtains and hoods
- Custom designed headplates designed for each door assembly. Headplate designs for simplicity of operator installation
- Powder coated guides, bottom bars and headplates
- Formed metal hoods finished to match curtains
- Steel gauge per UL listing for door size. Available in 18, 20 and 22 gauge galvanized steel, or 20 gauge stainless steel #5 flat slat
- Model CERD20 (insulated door) contains 7/8" thick mineral wool insulation. Available in 22 and 24 gauge exterior, 24 and 22 gauge interior skin

CHAIN HOIST MODEL

The bar has been raised for entry-level fire protection with the Model **CERD10** or **CERD20** (insulated) Fire Door. This rugged, gear reduced chain hoist system is designed for everyday use and features a truly remarkable governing system capable of handling fire door sizes to 256 square feet and beyond. As simple to install and own as a chain hoist driven service door, these fire door systems will meet your every expectation.



MOTOR OPERATED MODELS



Using a planetary gear reduction system and a dependable, time-proven internal centrifugal braking governor, the **CERD10** with CFD motor operator is a true workhorse fire door operating system that is both simple and efficient. The convenience of floor level drop testing and reset is showcased with this system that handles the largest fire doors with ease. The system may be activated for closure by an alarm signal or by power failure. Reset is accomplished by simply pressing the "open" button.

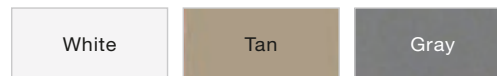
- Fail-safe design and operation
- UL and ULC Labeled
- For use with detectors as a stand-alone FACP or integrate to building FACP
- Floor level test and reset
- Preset time delay before closure
- Full-duty, gear reduced motor
- Limit switches are driven, eliminating resetting
- Optional battery backup
- Centrifugal governor
- Service door construction and durability

OPTIONS

- UL "S Labels" with seals for air and smoke infiltration
- Fail-safe release devices
- Smoke detectors
- Alarm annunciators
- Voice annunciators
- Warning strobe lights

COLORS

Three standard paint finishes plus 188 powder coat finishes and stainless steel #4 finish



Colors shown may not reflect true steel color. Use for reference only. Due to the printing process colors may vary from printed samples.

DISTRIBUTED BY:



For more information on these and other Clopay products, call 1-800-526-4301 or visit www.clopay.com



MOTOR SPECIFICATIONS:

ELECTRICAL EQUIPMENT LIST:

BOTTOM BAR LOCKING:

QUANTITY & MARK:

ORDER QNTY. 2

None

(1) 001

MATERIAL & FINISH:

Front slat - Galvanized steel with GalvaNex™ coating system.
Finish color: Gray

Back slat - Galvanized steel with GalvaNex™ coating system.
Finish color: Gray

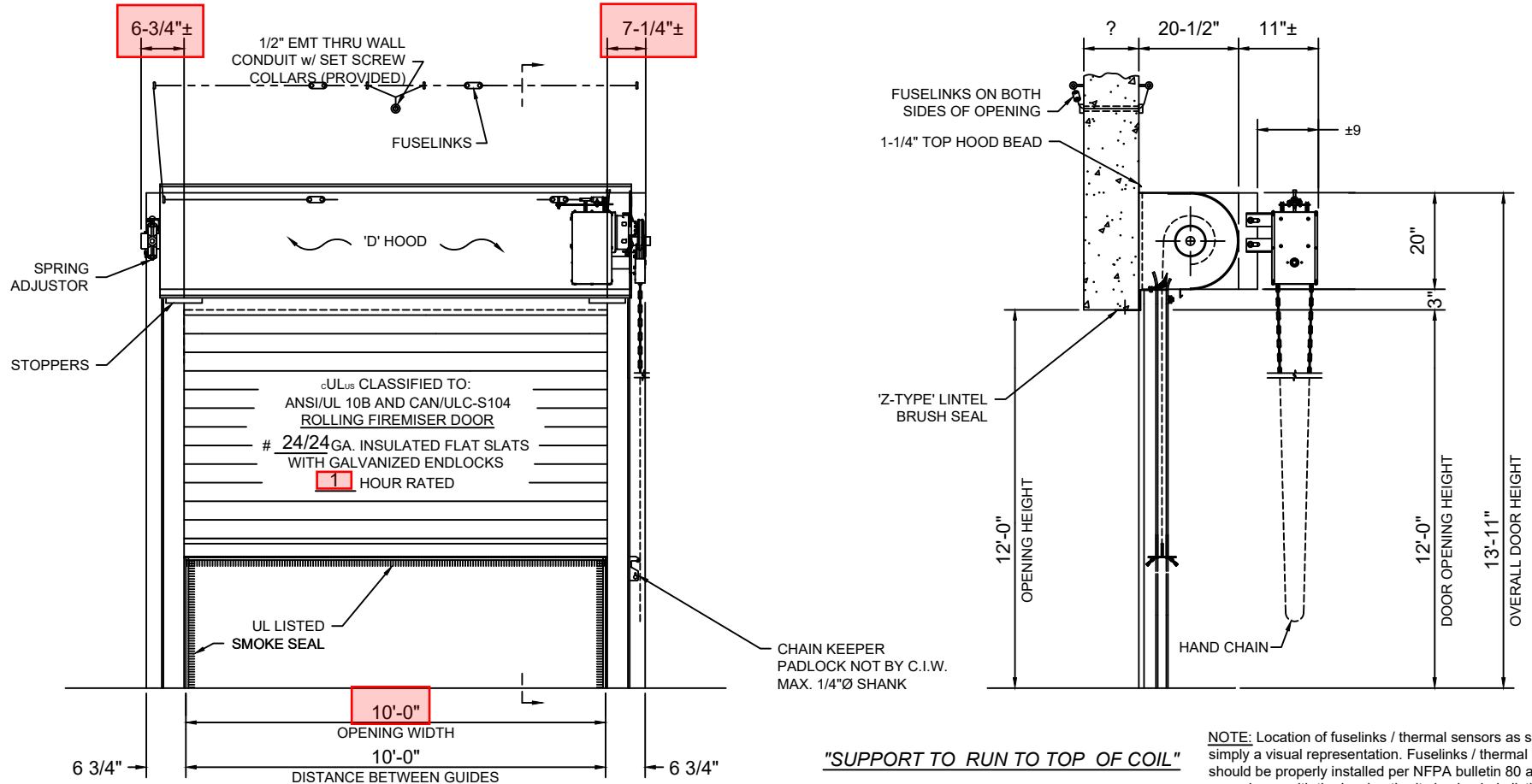
Bottom Bar - Structural steel, polyester powder coating, color Standard Gray

Guides - Structural steel, Gray polyester powder coating

Hood - Galvanized steel with GalvaNex™ coating system. Finish color: Gray

Plain Steel - Powder coated gray

NOTE: This door **NOT** to be mounted in a required means of egress!



ELEVATION (COIL SIDE) AND SECTION VIEW

See drawing # E 01705866 001 B for guide detail.

05-13-2022	PRODUCT CODE:
INS_FDR	CFD 6M 44GP

MODEL #:	JOB #:
ERD20	E 01705866 001 A



FIREGARD CHAIN (FCF)
OPERATED ROLLING FIRE DOOR

DEALER:
CLOPAY VANCOUVER D.C.

CONTRACTOR:

ARCHITECT:

---	ORIGINAL DRAWING	07/06/22	CL49
#	REVISION	DATE	BY

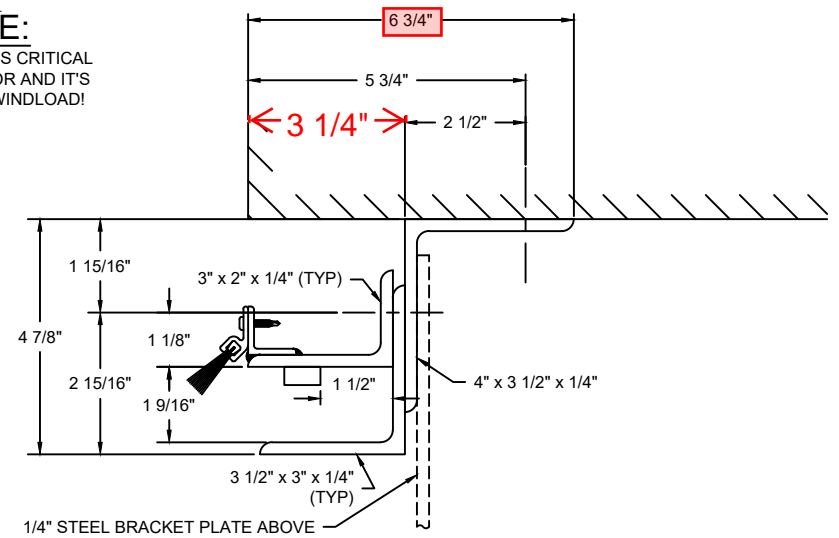
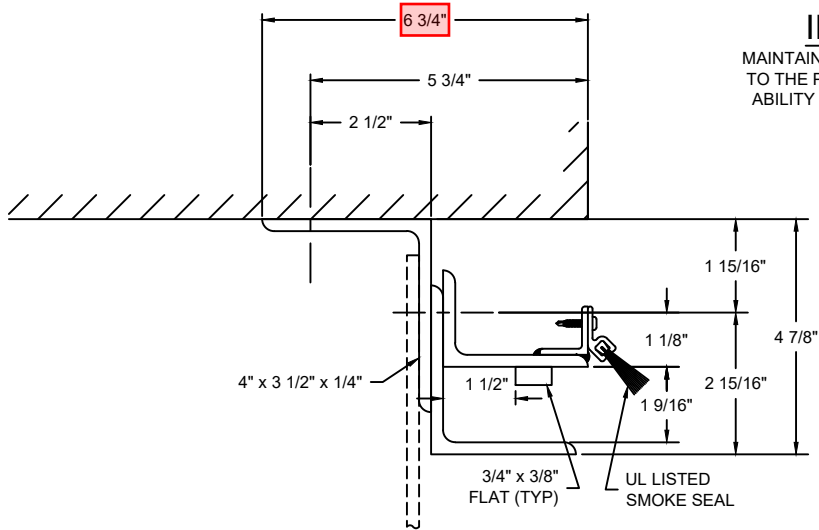
* "Dealer" refers to any purchaser, customer, or reseller of CornellCookson products, and not necessarily an authorized CornellCookson dealer.

JOB: NEED JOB NAME

NOTE: Wall construction detail shown is for illustrative purposes only, does not imply compliance with building requirements, and must meet architectural specifications to properly support product. Products designed with wind load requirements must be properly fastened to structural members as specified in order to avoid catastrophic failure. Wall construction and closure installation shall be in accordance with the local authority having jurisdiction requirements.

INSTALLERS NOTE:

MAINTAINING FACTORY SET GUIDE GAPS IS CRITICAL TO THE PROPER OPERATION OF THE DOOR AND IT'S ABILITY TO WITHSTAND THE DESIGNED WINDLOAD!



GA0855 - 4 7/8"

WALL FASTENERS:

- AT 27" ON CENTER
- Ø3/8" x 5" SIMPSON WEDGE-ALL, MIN. 3000 PSI CONCRETE REQ'D MIN. EMBEDMENT DEPTH - 3"
- HARDENED FLAT WASHERS
- FLAT FIBER WASHER

ASSEMBLY FASTENERS:

- AT 22" ON CENTER
- Ø3/8-16 x 1 1/2" HEX HEAD CAP SCREW, GR. 8
- HEX HEAD NUT, GR. 8
- HARDENED FLAT WASHERS
- FLAT FIBER WASHER

GA0855 - 4 7/8"

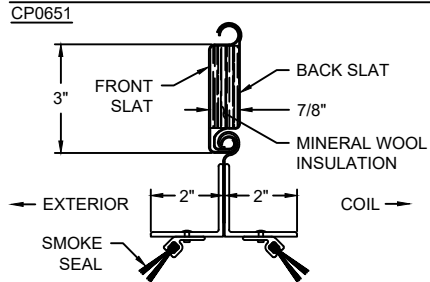
WALL FASTENERS:

- AT 27" ON CENTER
- Ø3/8" x 5" SIMPSON WEDGE-ALL, MIN. 3000 PSI CONCRETE REQ'D MIN. EMBEDMENT DEPTH - 3"
- HARDENED FLAT WASHERS
- FLAT FIBER WASHER

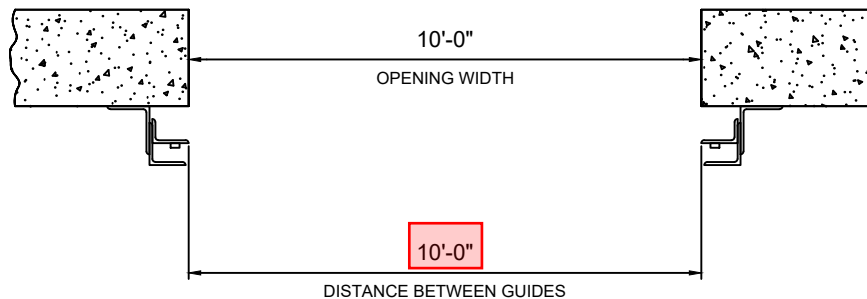
ASSEMBLY FASTENERS:

- AT 22" ON CENTER
- Ø3/8-16 x 1 1/2" HEX HEAD CAP SCREW, GR. 8
- HEX HEAD NUT, GR. 8
- HARDENED FLAT WASHERS
- FLAT FIBER WASHER

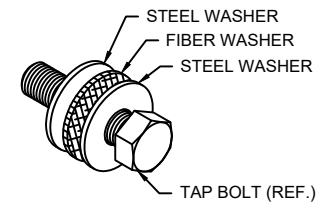
BOTTOM BAR / SLAT DETAIL



MK: 001
PLAN OF OPENING



WALL FASTENER WASHER DETAIL



02-14-2020	PRODUCT CODE:
GFD35_487	CFD 6M 44GP

MODEL #:	JOB #:
ERD20	E 01705866 001 B



UL INSULATED FIRE DOOR GUIDE ASSEMBLY, 4 7/8" PACKOFF

DEALER:
CLOPAY VANCOUVER D.C.

CONTRACTOR:

ARCHITECT:

---	ORIGINAL DRAWING	07/06/22	CL49
#	REVISION	DATE	BY

* "Dealer" refers to any purchaser, customer, or reseller of CornellCookson products, and not necessarily an authorized CornellCookson dealer.

JOB: NEED JOB NAME